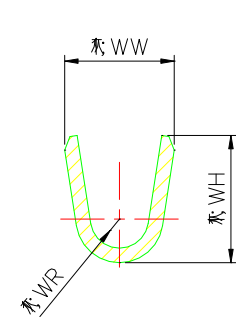
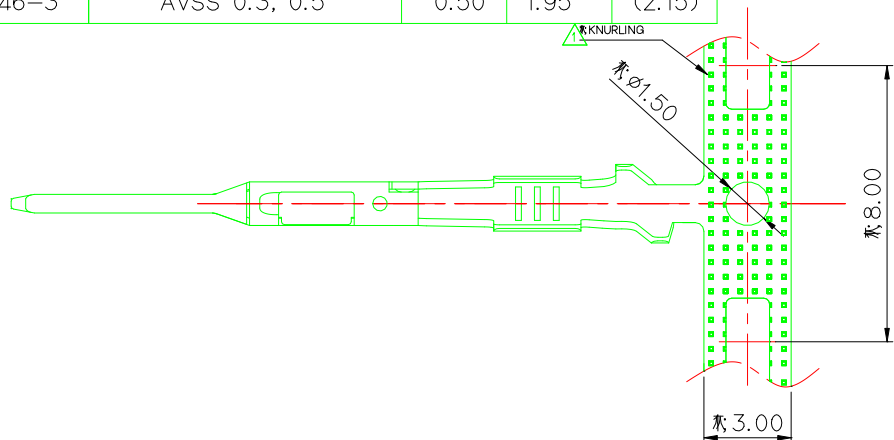


SEE TABLE
PART NO.

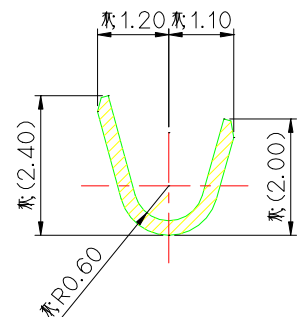
CUSTOMER DRAWING

NO.	PART NO.	WIRE SIZE	WIRE BARREL		
			WR	WW	WH
1	ST741345-3	CHFUS 0.22, 013	0.30	1.50	(1.60)
2	ST741346-3	AVSS 0.3, 0.5	0.50	1.95	(2.15)

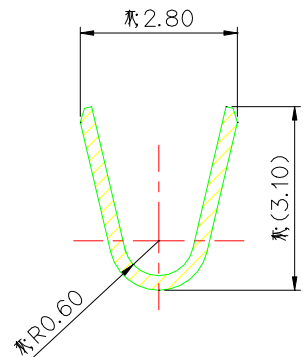
GENERAL TOLERANCE (TERMINAL)						USED ON
10 MAX	20 MAX	45 MAX	45 VR	ANGLE	ECCENT	
±0.2	±0.25	±0.3	±0.5	±30'	0.1	



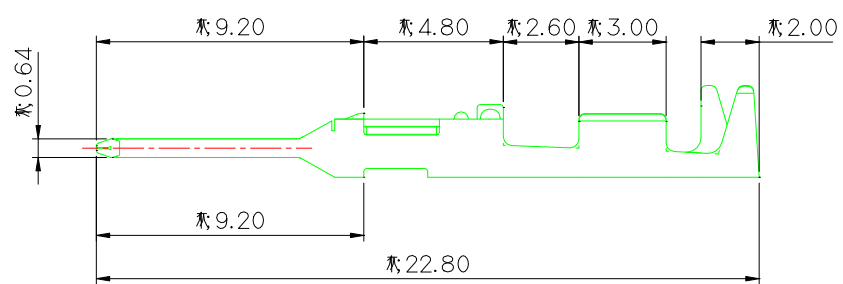
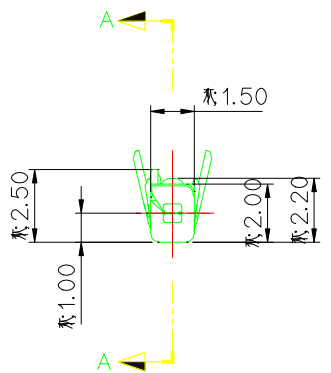
SECTION B-B



SECTION C-C
(ST741345)



SECTION C-C
(ST741346)



SECTION A-A

NOTE

- UNLESS OTHERWISE SPECIFIED ALL RADII TO BE 0.3 RADIUS.
- MUST BE FREE OF FLASH, SINK AND IMPERFECTION THAT AFFECT FUNCTION.
- APPLICABLE FEMALE TERMINAL : ST731053, 1054, 1374, 1375
- 6 HAZARDOUS SUBSTANCES IN PARTS (LEAD, MERCURY, CADMIUM, HEXAVALENT CHROMIUM, PBBs, PBDEs) SHALL NOT EXCEED THE MAXIMUM PERMISSIBLE CONCENTRATION PRESCRIBED UNDER EU ELV DIRECTIVE & RoHS REGULATION.

주 기

- 지시없는 C,R=0.30으로 한다.
- 기능상 유해한 흠,변형 및 BURR가 없을것.
- 적용 상대 FEMALE TERMINAL : ST731053, 1054, 1374, 1375
- 제품내 함유된 6대 유해물질 (납, 수은, 카드뮴, 6가크롬, PBBs, PBDEs)은 EU ELV 지침 및 RoHS 법규에서 지정한 최대 허용 농도를 초과해서는 안된다.

APPROVED

2015-06-25

KOREA ELECTRIC TERMINAL CO., LTD.
Connector Development Team 2

ISSUE MARK

품 번	처 리
ST741345-3	- Cu 하지도금 두께 : 0.3 ~ 0.8 μ m
ST741346-3	- 광택 석도금 - 석도금 두께 : 0.8 ~ 1.8 μ m
△ST741345-G	- Ni 하지도금
△ST741346-G	- 금도금 두께 : 0.38 μ m 이상.

MATERIAL	Copper Alloy		KOREA ELECTRIC TERMINAL CO., LTD.								
FINISH	Pre-Tin										
WIRE RANGE		CLASS	.025								
INSULATION		TYPE									
LTR	ECO-1410-227 큰가 도면 제작성	HSR	CKY	CWK	'15.01.14	TOLERANCE EXCEPT AS NOTED	SEE TABLE	SCALE	5/1	PART NO.	SEE TABLE
DR.	AJH	2013.06.10	CHK.			PART NAME	025 II MALE TERMINAL				
CHK.	CWK	2013.06.10	APP.	HSH	2013.06.10						

DIMENSIONS IN MM

