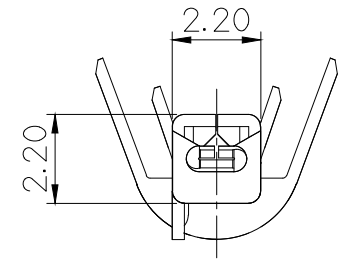
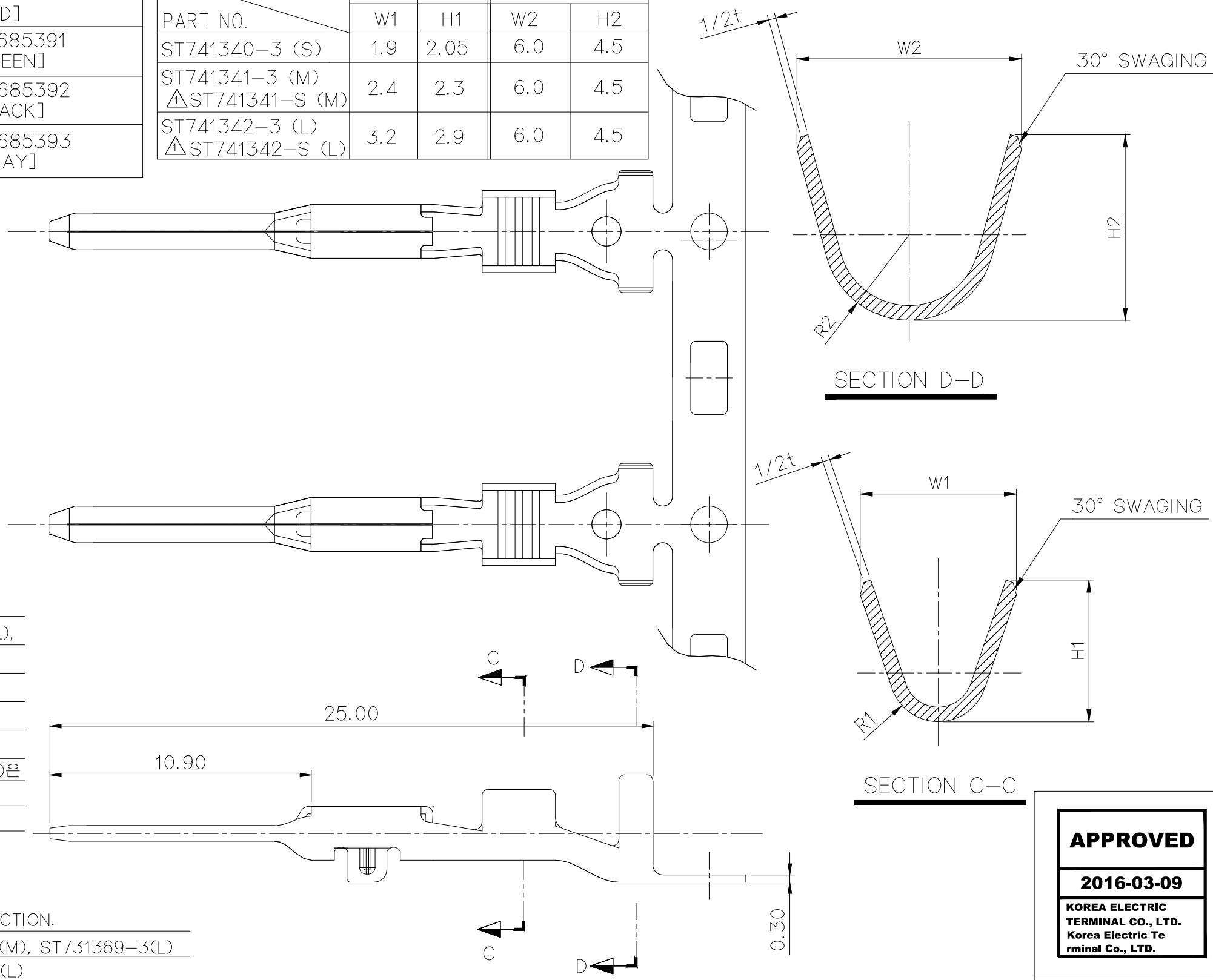


SEE TABLE PART NO. CUSTOMER DRAWING

NO.	PART NO.	도체 규격 (SQ)	전선 외경 (mm ²)	적용 WIRE SEAL
1	ST741340-3 (S)	0.13 ~ 0.22	0.9 ~ 1.3	MG685389 [BLUE]
2	ST741341-3 (M) △ST741341-S (M)	0.3 ~ 0.5	1.4 ~ 1.7	MG685390 [RED]
	1.8 ~ 2.2		MG685391 [GREEN]	
3	ST741342-3 (L) △ST741342-S (L)	0.85 ~ 1.25	2.3 ~ 2.6	MG685392 [BLACK]
	2.7 ~ 2.9		MG685393 [GRAY]	

GENERAL TOLERANCE (TERMINAL)						USED ON
10 MAX	20 MAX	45 MAX	45 VR	ANGLE	ECCENT	
±0.2	±0.25	±0.3	±0.5	±30'	0.1	

PART NO.	WIRE BARREL		INSULATION BARREL	
	W1	H1	W2	H2
ST741340-3 (S)	1.9	2.05	6.0	4.5
ST741341-3 (M) △ST741341-S (M)	2.4	2.3	6.0	4.5
ST741342-3 (L) △ST741342-S (L)	3.2	2.9	6.0	4.5



- 주 기**
- 제품 기능상 유해한 BURR 및 변형등이 없을 것.
 - 적용 상대 TERMINAL : ST731367-3(S), ST731368-3(M), ST731369-3(L),
△ST731368-S(M), ST731369-S(L)
 - △3. Ag 선도금 사양 ST741341-S(M), ST741342-S(L)
- 하지 : Ni 1.0~2.0um(무광), Ag : 1.0~2.0um
(Ag 함유량 : 99.70% ~ 99.90%)
 - 제품내 함유된 6대 유해물질 (납, 수은, 카드뮴, 6가크롬, PBBs, PBDEs)은 EU ELV 지침 및 RoHS 법규에서 지정한 최대 허용 농도를 초과해서는 안된다.

- NOTE**
- MUST BE FREE OF BURR AND IMPERFECTION THAT AFFECT FUNCTION.
 - APPLICABLE FEMALE TERMINAL : ST731367-3(S), ST731368-3(M), ST731369-3(L)
△ST731368-S(M), ST731369-S(L)
 - △3. Ag PRE-TIN PLATING SPECIFICATION ST741341-S(M), ST741342-S(L)
- GROUND : Ni 1.0~2.0um(Matted), Ag 1.0~2.0um
(Ag CONTENT : 99.70% ~ 99.90%)
 - 6 HAZARDOUS SUBSTANCES IN PARTS (LEAD, MERCURY, CADMIUM, HEXAVALENT CHROMIUM, PBBs, PBDEs) SHALL NOT EXCEED THE MAXIMUM PERMISSIBLE CONCENTRATION PRESCRIBED UNDER EU ELV DIRECTIVE & RoHS REGULATION.

APPROVED
2016-03-09
KOREA ELECTRIC
TERMINAL CO., LTD.
Korea Electric Terminal Co., LTD.

ISSUE MARK

MATERIAL	Copper Alloy	KET KOREA ELECTRIC ENGINEERED TERMINAL CO., LTD.
FINISH	PRE-TIN	
WIRE RANGE	CLASS	060
INSULATION	TYPE	WP
LTR	ECO-1509-357 근거 도면 제작성 (은도금 사양 추가)	SY.L LSY 15.09.30
DR.	JK.SEO. '13.07.23	CHK.
CHK.	YSW. '13.07.23	APP.
DATE	15.09.30	DATE
TOLERANCE EXCEPT AS NOTED	SEE TABLE	SCALE
PART NAME	N060 WP MALE TERMINAL (S, M, L)	

DIMENSIONS IN (MM)