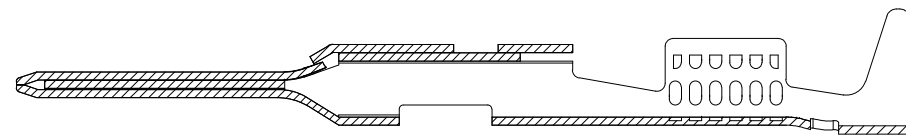
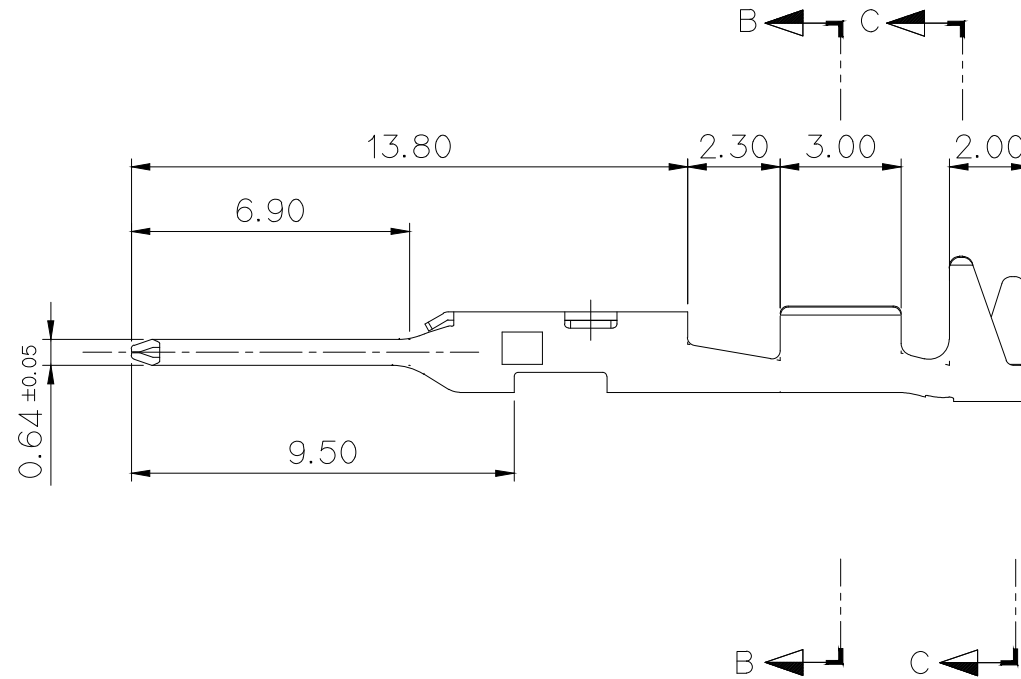
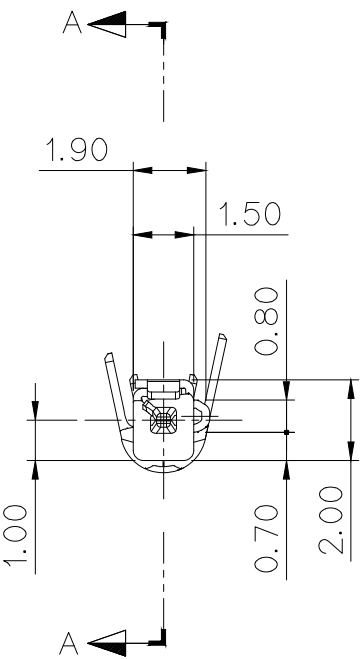


SECTION B-B

SECTION C-C
ST741337 (S)

SECTION C-C
ST741338 (M)



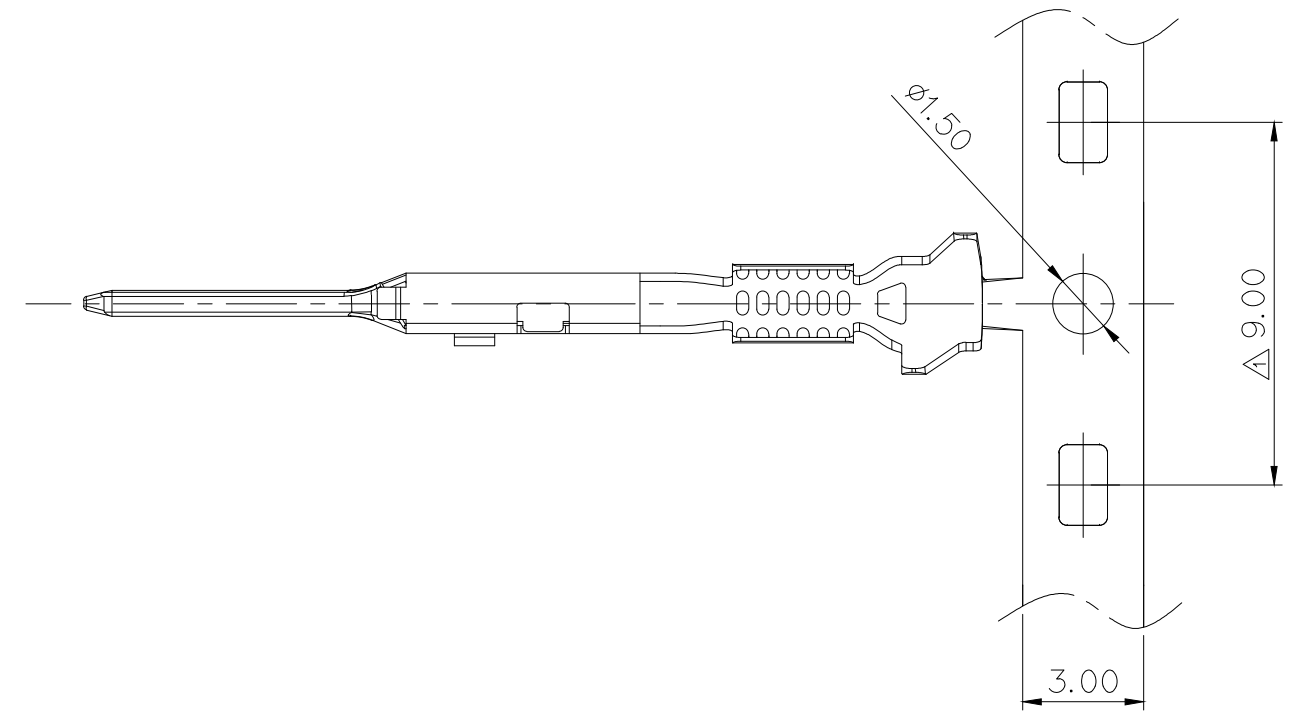
SECTION A-A

NOTE

- UNLESS OTHERWISE SPECIFIED ALL RADII TO BE 0.2R ADIUS, CHAMFER 0.1.
- MUST BE FREE OF FLASH, SINK AND IMPERFECTION THAT AFFECT FUNCTION.
- APPLICABLE FEMALE TERMINAL : ST731363-3, 364-3
- 6 HAZARDOUS SUBSTANCES IN PARTS (LEAD, MERCURY, CADMIUM, HEXAVALENT CHROMIUM, PBBs, PBDEs) SHALL NOT EXCEED THE MAXIMUM PERMISSIBLE CONCENTRATION PRESCRIBED UNDER EU ELV DIRECTIVE & RoHS REGULATION.

GENERAL TOLERANCE (TERMINAL)						USED ON
10 MAX	20 MAX	45 MAX	45 VR	ANGLE	ECCENT	
±0.2	±0.25	±0.3	±0.5	±30'	0.1	

PART NO.	BARREL WIRE RANGE (mm ²)	WIRE BARREL			INSULATION BARREL	
		W1	H1	R1	H2-1	H2-2
ST741337 (S)	CHFUS 0.22, AESSXF 0.22 Δ	1.50	1.60	0.6	3.10	3.10
ST741338 (M)	AESSXF 0.3 - 0.5 Δ	1.95	2.15	0.7	3.10	3.60



주 기

- 지시없는 R은 0.2, C는 0.1로 한다
- 기능상 유해한 휨, 변형 및 BURR가 없을것.
- 적용 상대 FEMALE TERMINAL : ST731363-3, 364-3
- 제품내 함유된 6대 유해물질 (납, 수은, 카드뮴, 6가크롬, PBBs, PBDEs)은 EU ELV 지침 및 RoHS 법규에서 지정한 최대 허용 농도를 초과해서는 안된다.

APPROVED

2016-03-07

KOREA ELECTRIC
TERMINAL CO., LTD.
Connector Development
Team 2

ISSUE MARK

					MATERIAL	BRASS	KOREA ELECTRIC TERMINAL CO., LTD.	
					FINISH	Pre-Tin		
					WIRE RANGE	SEE TABLE		CLASS .025
					INSULATION	SEE TABLE	TYPE	
Δ	ECO-1503-334 근거 도면 재작성	PJH	CKY	CWK	15.03.24	TOLERANCE EXCEPT AS NOTED	SCALE 5/1	PART NO. SEE TABLE
LTR	REVISION RECORD	DR.	CHK.	APP.	DATE	PART NAME		
DR.	KJS 12.04.10	CHK.				025 WP MALE TERMINAL		
CHK.	HEM 12.04.10	APP.	HSH	12.04.10				