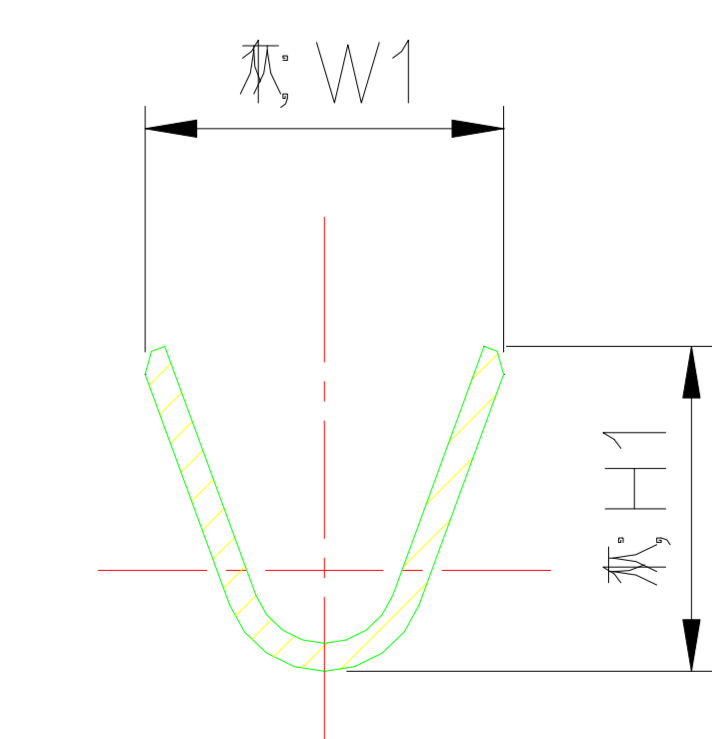
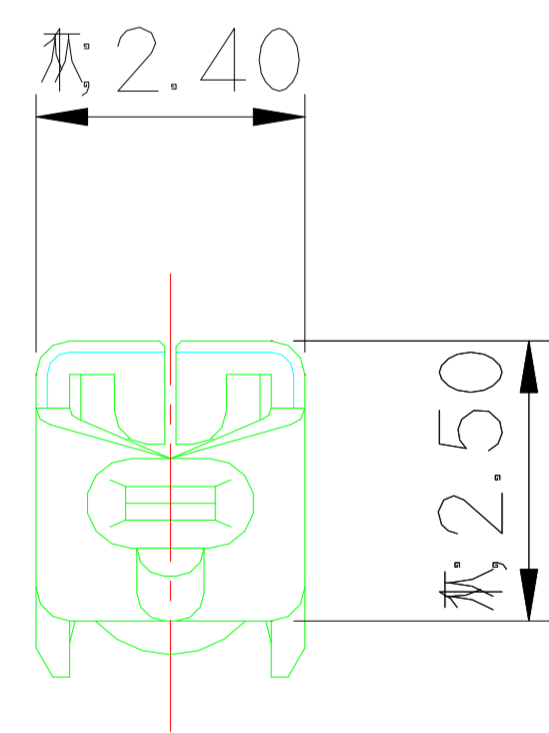
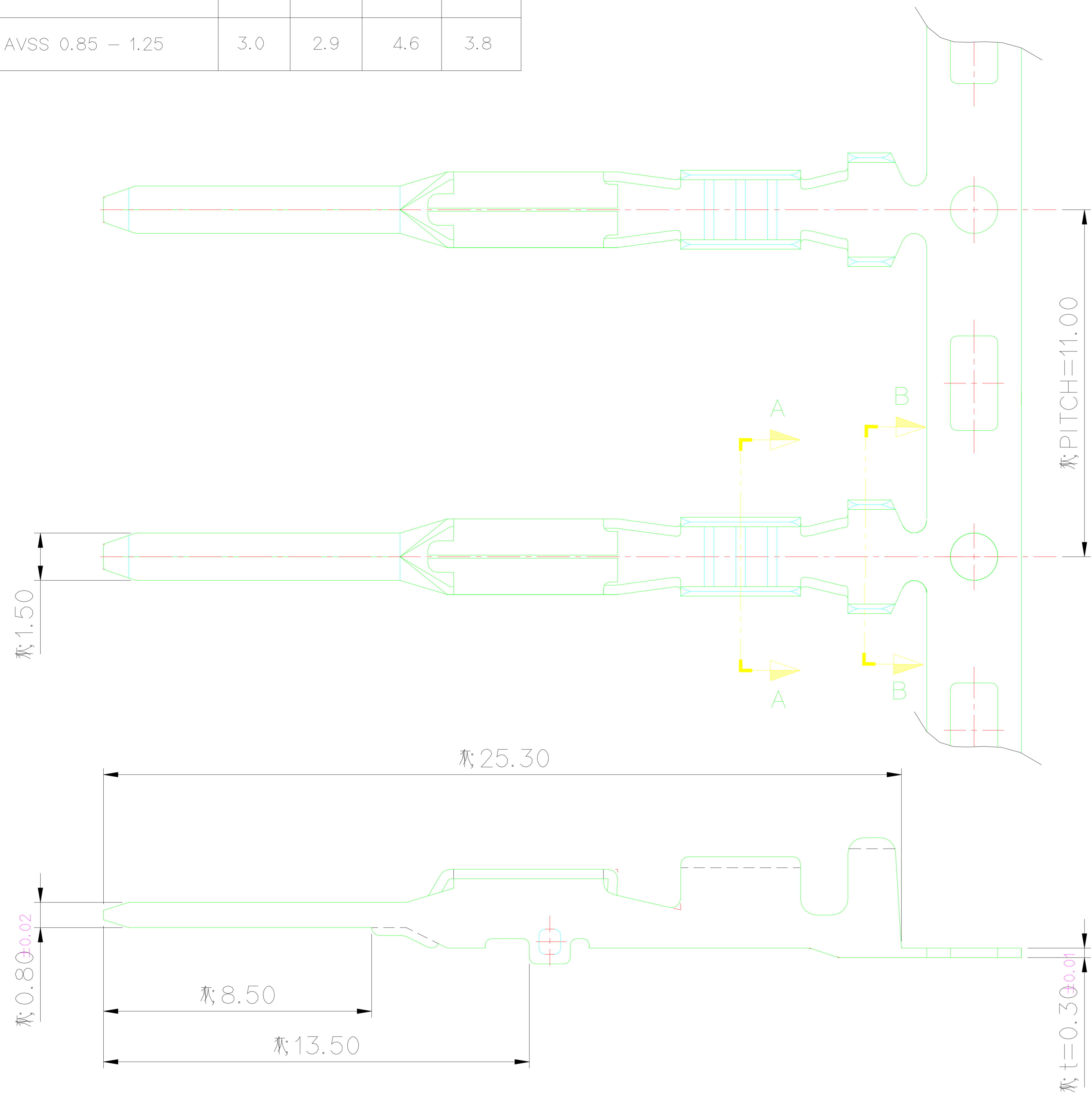
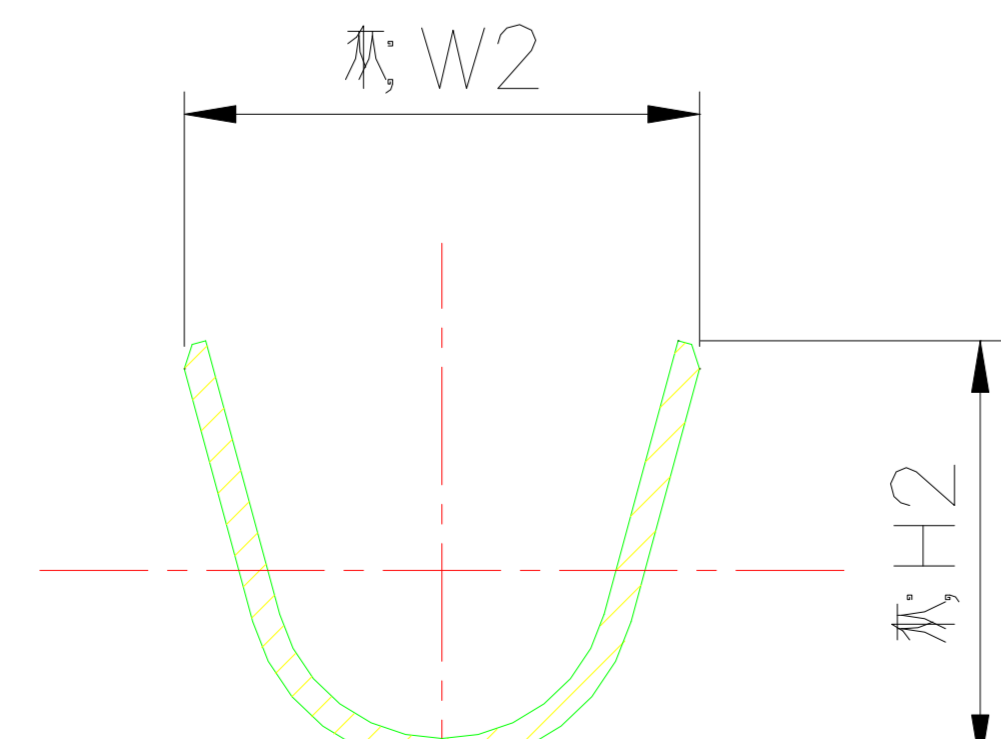


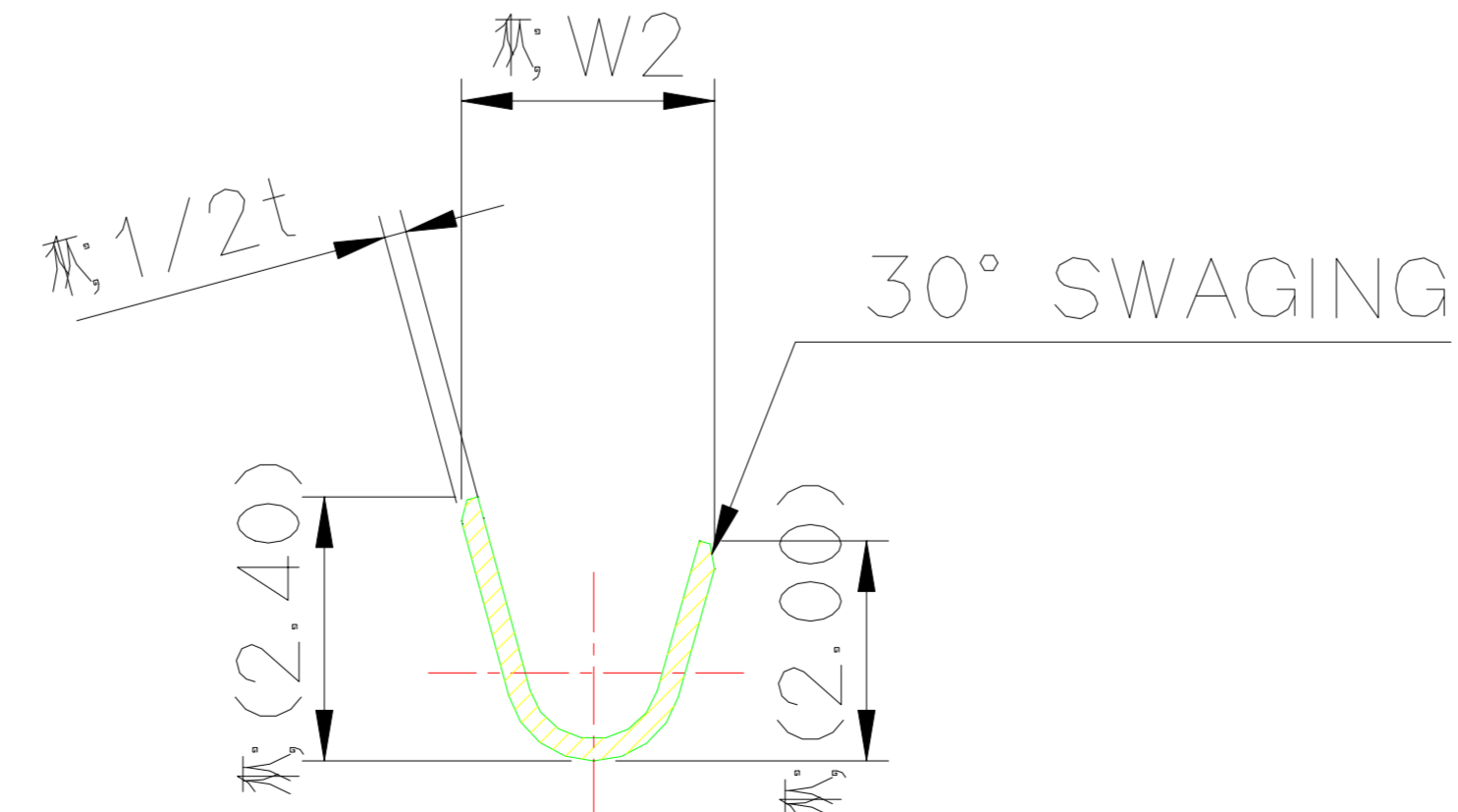
PART NO.	BARREL	WIRE RANGE (mm ²)	WIRE BARREL		INSULATION BARREL	
			W1	H1	W2	H2
ST741270 (SS)	CHFUS(AVSS)	0.22	1.9	(2.05)	2.3	—
ST741271 (S)	AVSS	0.3 - 0.5	2.2	2.3	3.6	3.3
ST741272 (M)	AVSS	0.85 - 1.25	3.0	2.9	4.6	3.8



SECTION A-A

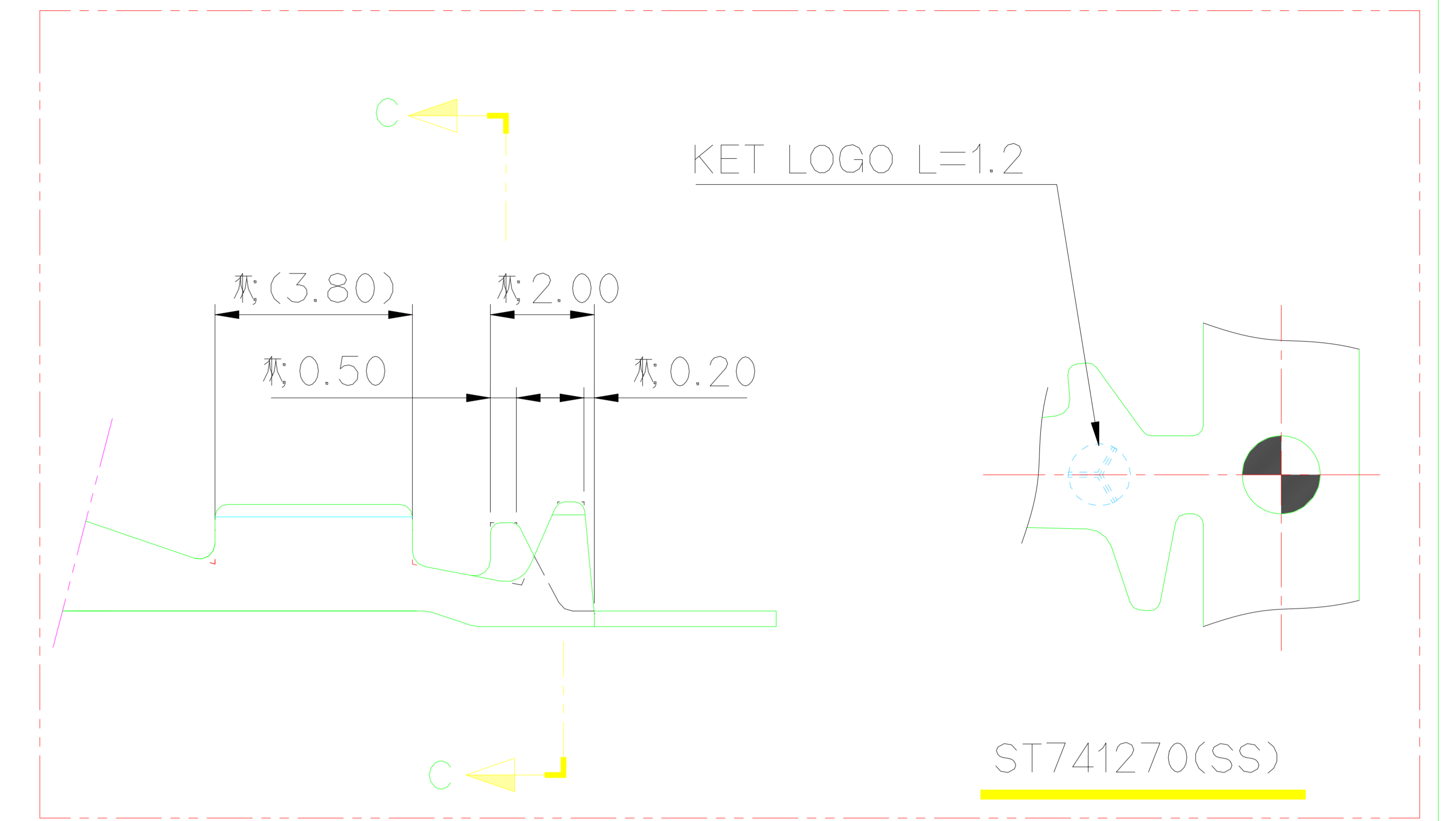


SECTION B-B



SECTION C-C

GENERAL TOLERANCE (TERMINAL)						USED ON
10 MAX	20 MAX	45 MAX	45 VR	ANGLE	ECCENT	
±0.2	±0.25	±0.3	±0.5	±30'	0.1	



주 기

1. 제품 기능상 유해한 BURR 및 변형등이 없을 것.
2. 적용 상대 FEMALE TERMINAL : ST731267(SS)/1268(S)/1269(M)
3. 제품내 함유된 6대 유해물질 (납,수은,카드뮴,6가크롬, PBBs,PBDEs)은 EU ELV 지침 및 RoHS 법규에서 지정한 최대 허용 농도를 초과해서는 안된다.

NOTE

1. MUST BE FREE OF BURR AND IMPERFECTION THAT AFFECT FUNCTION.
2. APPLICABLE FEMALE TERMINAL : ST731267(SS)/1268(S)/1269(M)
3. 6 HAZARDOUS SUBSTANCES IN PARTS (LEAD, MERCURY, CADMIUM, HEXAVALENT CHROMIUM, PBBs, PBDEs) SHALL NOT EXCEED THE MAXIMUM PERMISSIBLE CONCENTRATION PRESCRIBED UNDER EU ELV DIRECTIVE & RoHS REGULATION.



ISSUE MARK

LTR		REVISION RECORD		DR.	CHK.	APP.	DATE	MATERIAL	Copper Alloy	KET KOREA ELECTRIC TERMINAL CO., LTD.
DR.	HKS.	'10.04.01	CHK.	JYS.	'10.04.01	APP.	KKJ.	'10.04.01	FINISH	
WIRE RANGE		INSULATION		TOLERANCE EXCEPT AS NOTED		SCALE	5/1	CLASS	060	PART NO.
SEE TABLE		SEE TABLE		PART NAME		060 MALE TERMINAL(SS, S, M)		TYPE		