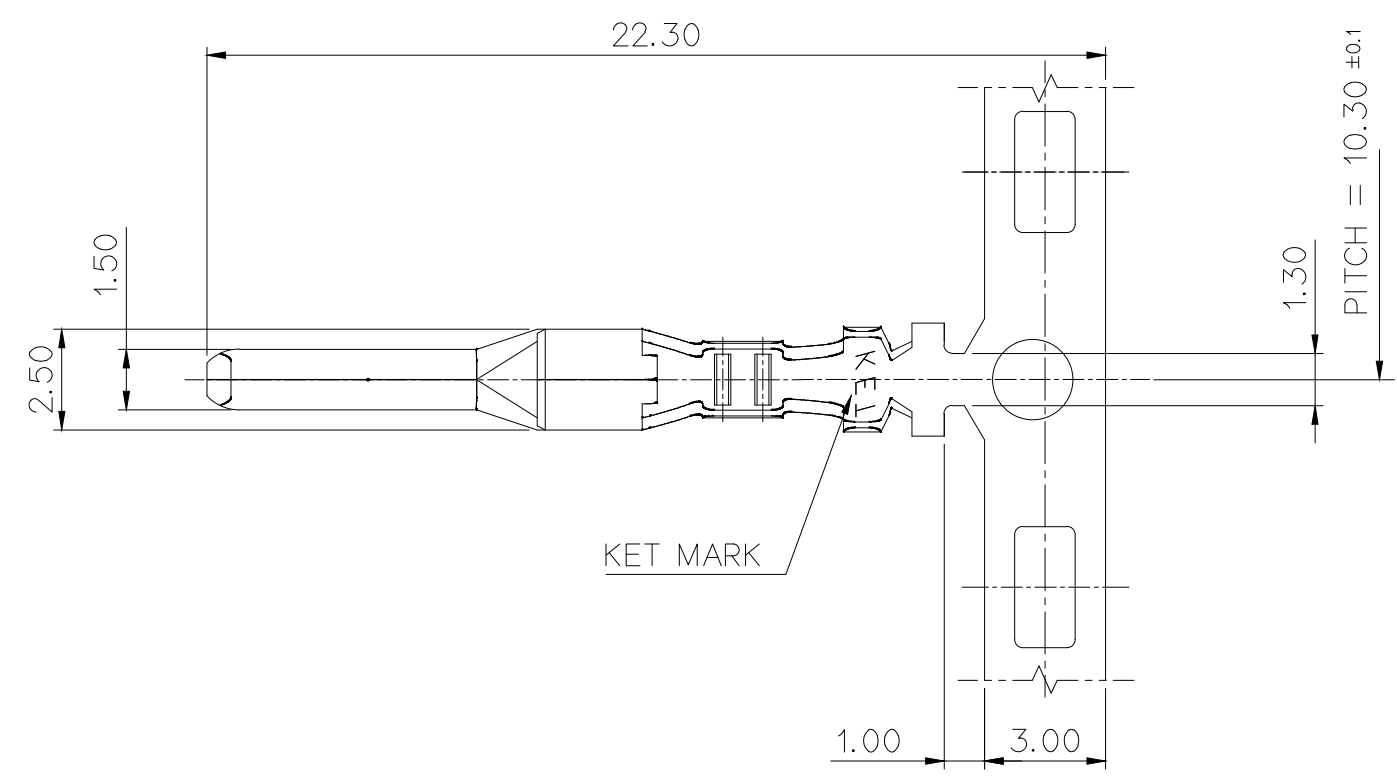


NO.	PART NO.	PART NAME	H1	H2	W1	W2	MATERIAL	FINISH	WIRE RANGE(UL1007)	
									AWG #	(mm ²)
1	ST741084	NEW 060 MALE TM'L(S)	(1.85)	(3.40)	1.90	2.60	BRASS	PRE-TIN	24-22	0.22-0.34
2	ST741085	NEW 060 MALE TM'L(M)	(2.70)	(3.80)	3.00	4.60	BRASS	PRE-TIN	20-18	0.52-0.87
3	ST741086	NEW 060 MALE TM'L(L)	(2.90)	(3.80)	3.20	4.60	BRASS	PRE-TIN	18-16 22+22	0.87-1.32

GENERAL TOLERANCE (TERMINAL)					USED ON
10MAX	20MAX	45MAX	ANGLE	ECCENT	
±0.2	±0.25	±0.3	±30'	0.1	

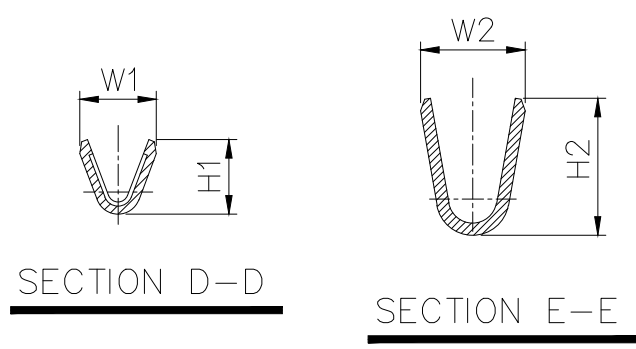
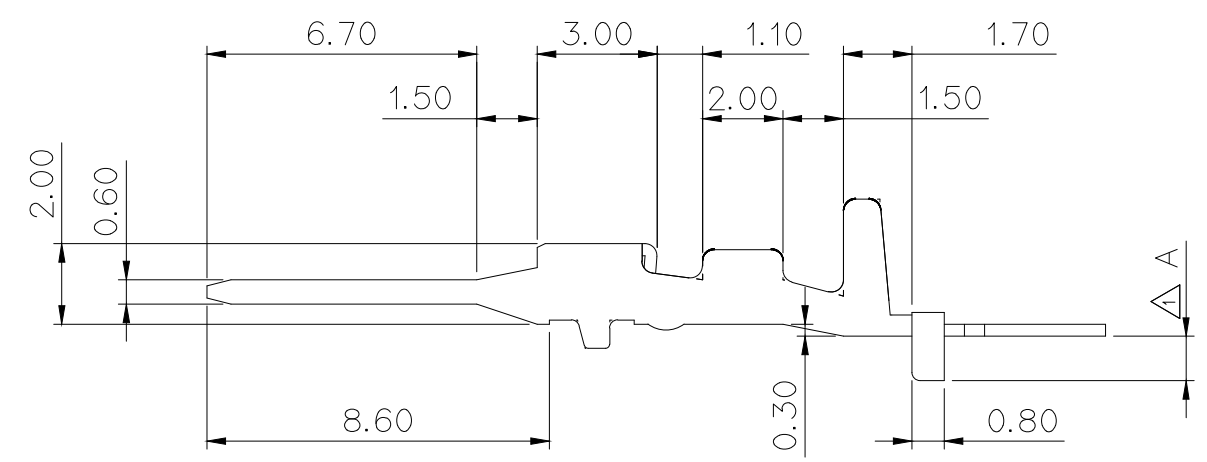


NOTE

- 6 HAZARDOUS SUBSTANCES IN PARTS (Lead, Mercury, Cadmium, Hexavalent Chromium, PBBs, PBDEs) SHALL NOT EXCEED THE MAXIMUM PERMISSIBLE CONCENTRATION PRESCRIBED UNDER EU ELV DIRECTIVE & RoHS REGULATION
- APPLICABLE HOUSING : MG625254, MG625255
- MUST BE FREE OF BURR, MARK AND IMPERFECTION THAT AFFECT FUNCTION.

주 기

- 제품내 함유된 6대 유해물질 (납,수은,카드뮴,6가크롬, PBBs,PBDEs)은 EU ELV 지침 및 RoHS 법규에서 지정한 최대 허용 농도를 초과해서는 안된다.
- 적용 HOUSING : MG625254, MG625255
- 기능상 유해한 BURR, 찌힘 및 결함 없을 것.



APPROVED

2016-03-11

**KOREA ELECTRIC
TERMINAL CO., LTD.
Electronic Product Development Team**

NO.	PART NO.	A
1	ST741084 ST741085 ST741086	1.10

MATERIAL	SEE TABLE	KET KOREA ELECTRIC TERMINAL CO., LTD.
FINISH	SEE TABLE	
WIRE RANGE	SEE TABLE	CLASS
INSULATION	SEE TABLE	TYPE .060
TOLERANCE EXCEPT AS NOTED	SEE TABLE	SCALE 5/1
DR. CJH. '08.01.30	CHK. Hak 1/30	PART NO. ST741084, 1085, 1086
CHK.	APP. 백운철 1/30	PART NAME NEW 060 MALE TERMINAL

ISSUE MARK