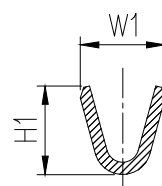
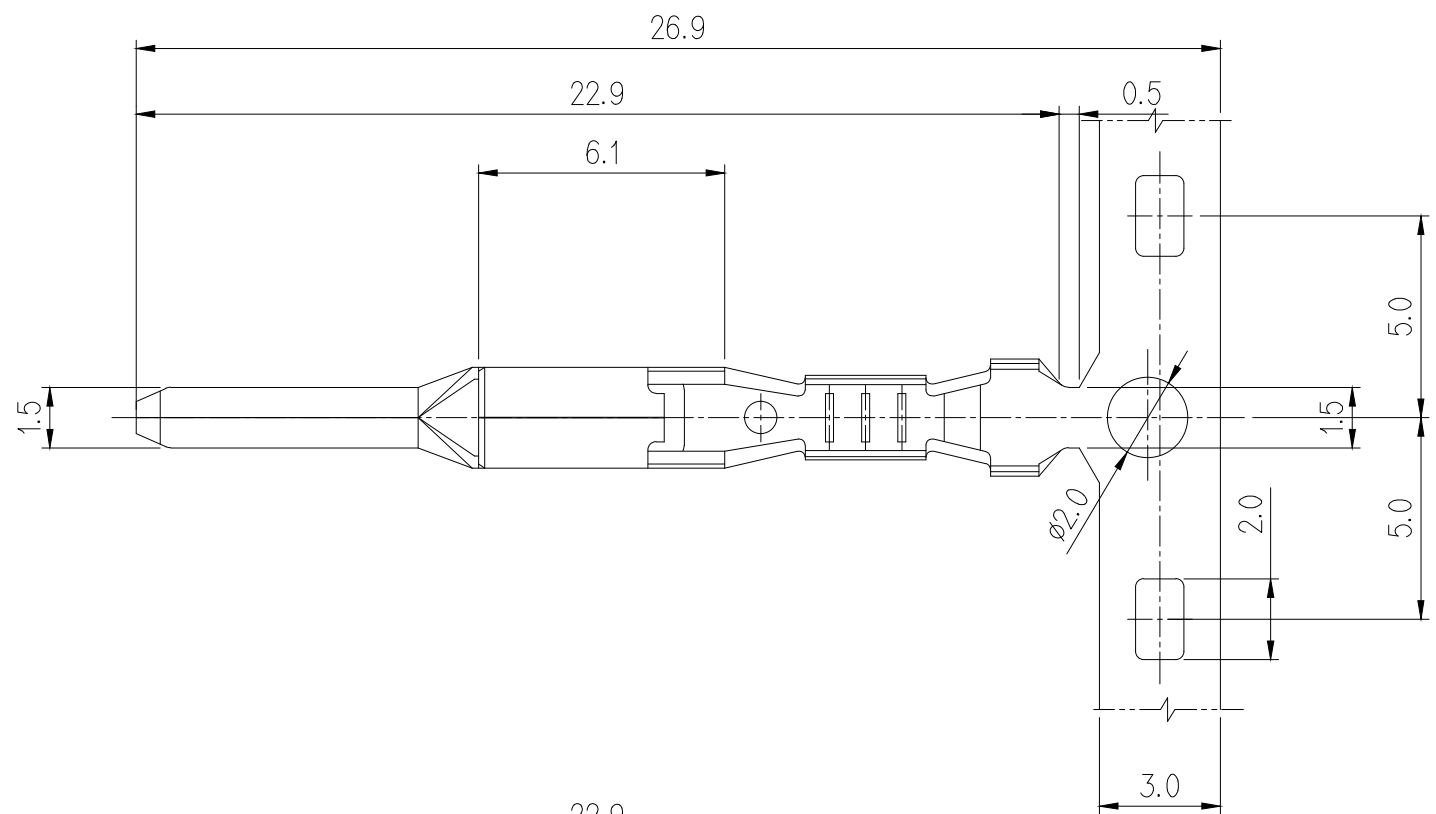
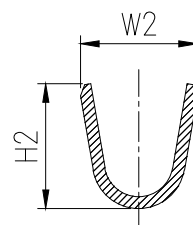


GENERAL TOLERANCE (TERMINAL)					USED ON
50MAX	100MAX	250MAX	ANGLE	ECCENT	ST730703
±0.2	±0.3	±0.5	±30'	0.1	ST730704

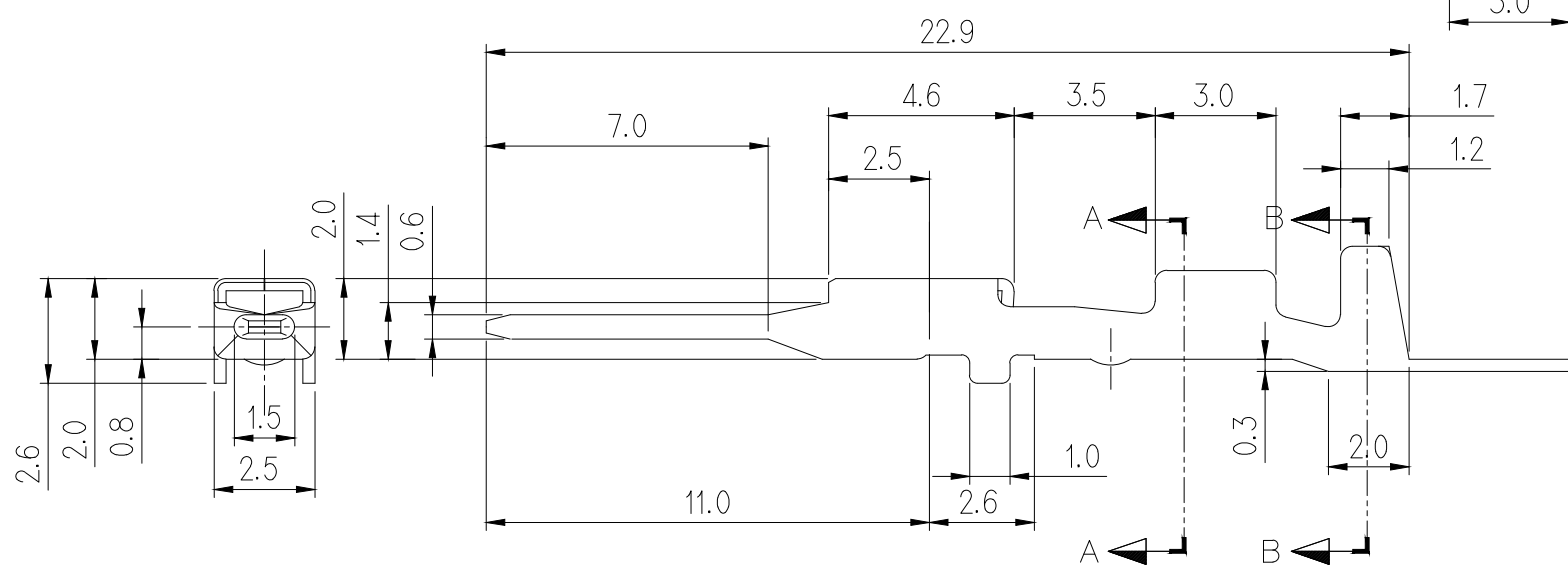
NO.	PART NO.	PART NAME	YAZAKI NO.	H1	H2	W1	W2	MATERIAL	FINISH	WIRE SIZE.
1	ST740719	C TAB TM'L(S)	7114-1300	2.20	3.10	2.10	2.90	BRASS (t=0.30)	PRE-TIN	AVS,CAVS 0.20-0.30sq
2	ST740720	C TAB TM'L(M)	7114-1301	2.80	3.90	2.50	3.00	BRASS (t=0.30)	PRE-TIN	AVS,CAVS 0.50-0.85sq



SECTION A-A



SECTION B-B



**NOTE**

- MUST BE FREE OF BURR AND IMPERFECTION THAT AFFECT FUNCTION.
- APPLICABLE REX TERMINAL : ST730703,704.(7116-1300,1301)

**NOTE**

- 기능상 유해한 BURR 등이 없을것.
- 적용 REC TERMINAL : ST730703,704.(7116-1300,1301)



ISSUE MARK

MATERIAL	SEE TABLE	 KOREA ELECTRIC TERMINAL CO., LTD. Korea Electric Terminal Co., Ltd.						
FINISH	SEE TABLE							
WIRE RANGE	CLASS 62C(.060)							
INSULATION	TYPE 7114-1300,1301							
LTR	REVISION RECORD	DR.	CHK.	APP.	DATE	TOLERANCE EXCEPT AS NOTED	SCALE 5/1	PART NO. ST740719,720
DR.	MAN '97.08.25.	CHK.			8/28			
CHK.		APP.			8/28			
PART NAME								C TAB TM'L (S),(M)