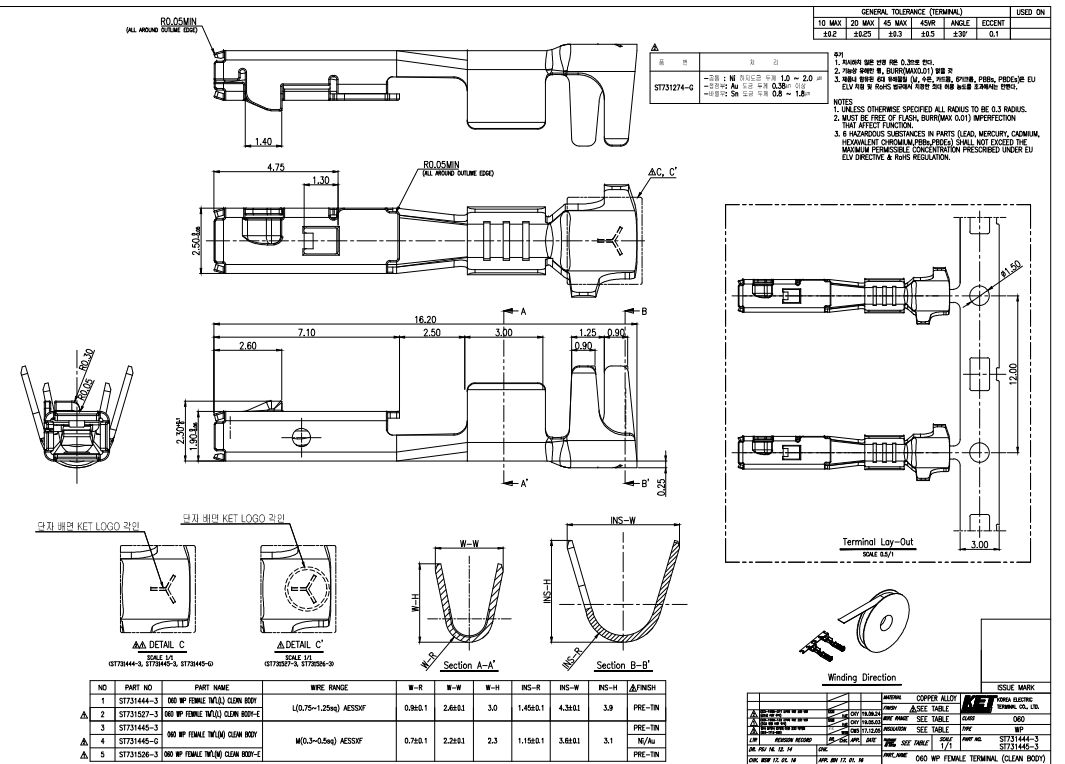
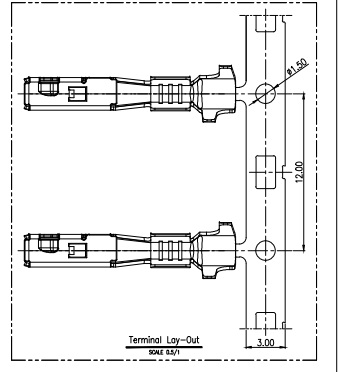


CUSTOMER DRAWING: PWT_A1010001



GENERAL TOLERANCE (TERMINAL)						USED ON	
10 MAX	20 MAX	45 MAX	45/0	ANGLE	ECCENT		
±0.2	±0.25	±0.3	±0.5	±30'	±0.1		

NOTES:
 1. UNLESS OTHERWISE SPECIFIED ALL DIMENSIONS TO BE 0.3mm DIA.
 2. MUST BE FREE OF ALL SURFACE (LOGO) IMPERFECTION THAT AFFECT FUNCTION.
 3. & HAZARDOUS SUBSTANCES IN PARTS (LEAD, MERCURY, CHROMIUM, HEAVY METAL CHROMIUM, PBT, PEEK) SHALL NOT EXCEED THE MAXIMUM PERMISSIBLE CONCENTRATION PRESCRIBED UNDER EU ECV DIRECTIVE & PHS REGULATION.



Winding Direction		CROSS MARK	
PRE-TN	PRE-TN	PRE-TN	PRE-TN
PRE-TN	PRE-TN	PRE-TN	PRE-TN
PRE-TN	PRE-TN	PRE-TN	PRE-TN
PRE-TN	PRE-TN	PRE-TN	PRE-TN