

PART NO. SEE TABLE

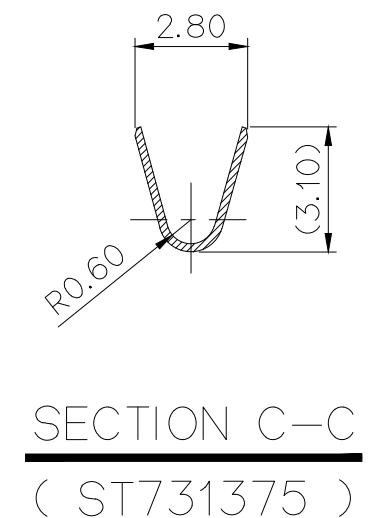
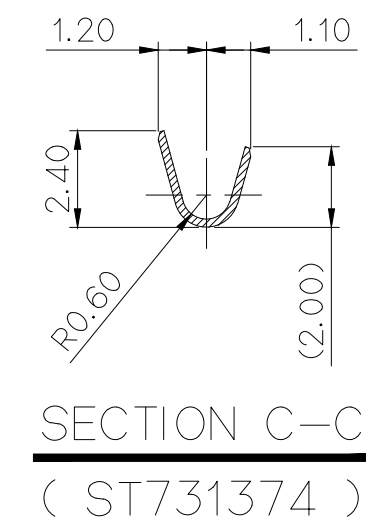
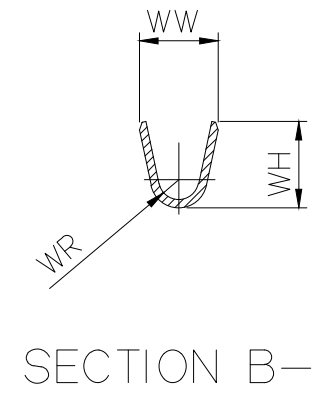
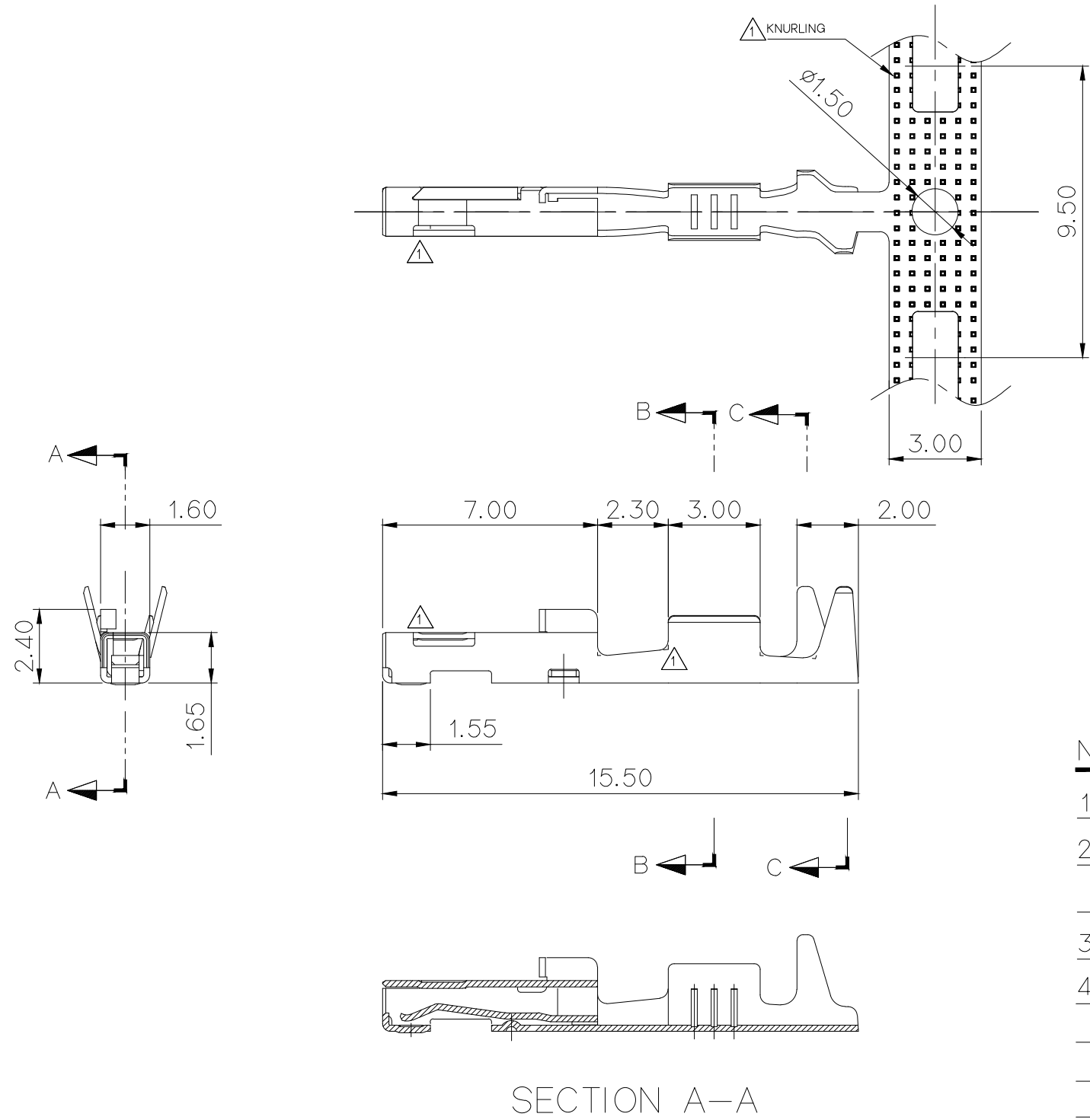
CUSTOMER DRAWING

NO.	PART NO.	PART NAME.	WIRE SIZE	WIRE BARREL		
				WR	WW	WH
1	ST731374-3	025 II FEMALE TML(S)	CHFUS 0.13, 0.22 △FLRY-A 0.13, 0.22 △FLCUMG02RY 0.13	0.20	1.50	(1.60)
2	ST731375-3	025 II FEMALE TML(M)	AVSS 0.3, 0.5 △CIVUS 0.35, 0.5 △FLRY-A 0.35 △FLRY-B 0.5	0.30	1.95	(2.15)

GENERAL TOLERANCE (TERMINAL)						USED ON
10 MAX	20 MAX	45 MAX	45 VR	ANGLE	ECCENT	
±0.2	±0.25	±0.3	±0.5	±30'	0.1	

주 기

- 지시없는 C,R=0.30으로 한다.
- 기능상 유해한 흠,변형 및 BURR가 없을것.
- 적용 상대 MALE TERMINAL : ST741055,056,345,346
- 제품내 함유된 6대 유해물질 (납, 수은, 카드뮴, 6가크롬, PBBs, PBDEs)은 EU ELV 지침 및 RoHS 법규에서 지정한 최대 허용 농도를 초과해서는 안된다.



NOTE

- UNLESS OTHERWISE SPECIFIED ALL RADII TO BE 0.3 RADIUS.
- MUST BE FREE OF FLASH, SINK AND IMPERFECTION THAT AFFECT FUNCTION.
- APPLICABLE MALE TERMINAL : ST741055,056,345,346
- 6 HAZARDOUS SUBSTANCES IN PARTS (LEAD, MERCURY, CADMIUM, HEXAVALENT CHROMIUM, PBBs, PBDEs) SHOULD NOT EXCEED THE MAXIMUM PERMISSIBLE CONCENTRATION PRESCRIBED UNDER EU ELV DIRECTIVE & RoHS REGULATION.

APPROVED
2021-11-03
KOREA ELECTRIC TERMINAL CO., LTD.
Korea Electric Terminal Co., LTD.

ISSUE MARK

품 번	처 리
ST731374-3	- UnderCoat : Cu 0.3 ~ 0.8 μ m
ST731375-3	- Pre-Tin - Sn : 0.8 ~ 1.8 μ m
△ST731374-G	- UnderCoat : Ni
△ST731375-G	- Au : Min 0.38 μ m

					MATERIAL	COPPER ALLOY	KET KOREA ELECTRIC TERMINAL CO., LTD. ENGINEERED
					FINISH	Pre-Tin	
②	ECO-2012-136 근거 도면 재작성	LJH	HJE	CKY	'21.01.07	WIRE RANGE	CLASS .025
①	ECO-1410-227 근거 도면 재작성	HSR	CKY	CWK	'15.01.14	INSULATION	TYPE
LTR	REVISION RECORD	DR.	CHK.	APP.	DATE	TOLERANCE EXCEPT AS NOTED	SCALE 5/1
DR.	AJH 2013.06.10	CHK.				SEE TABLE	PART NO. SEE TABLE
CHK.	CWK 2013.06.10	APP.	HSH	2013.06.10			PART NAME
							025 II FEMALE TERMINAL

DIMENSIONS IN MM)