

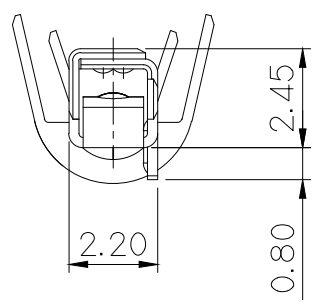
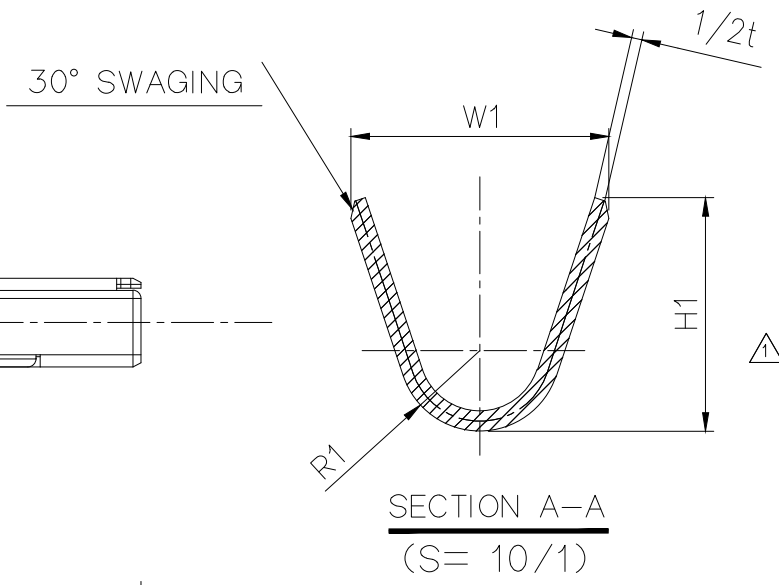
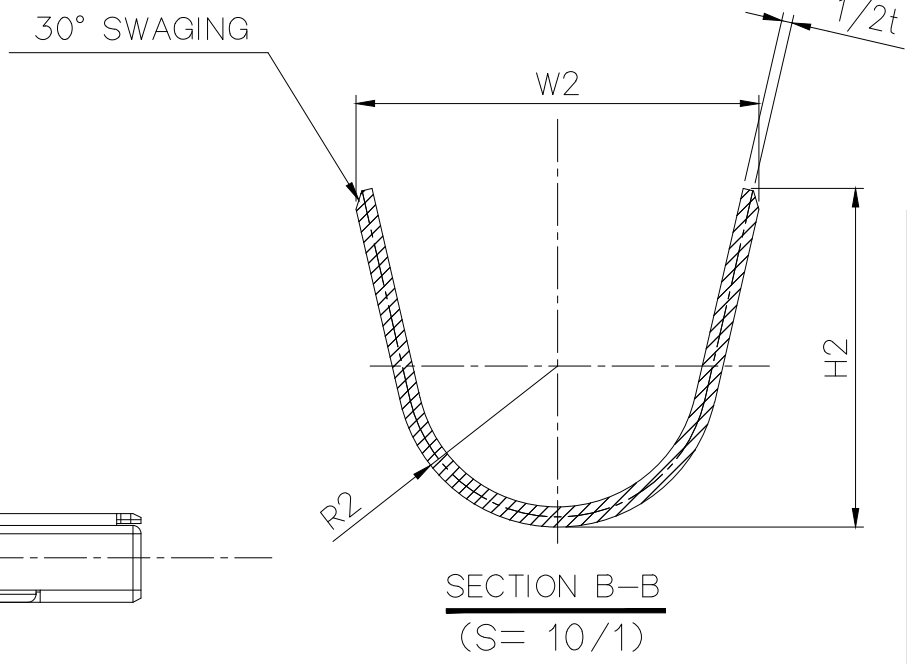
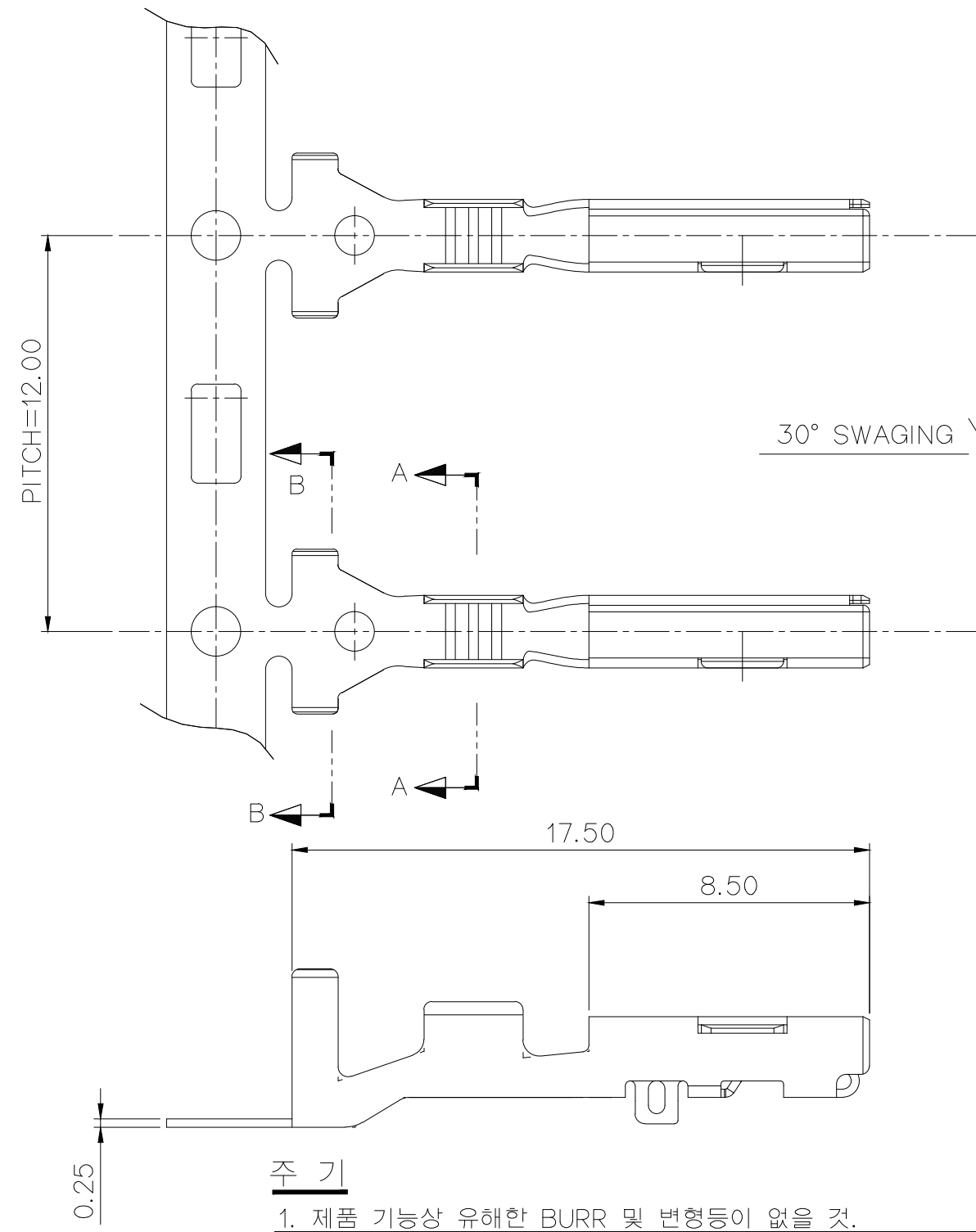
CUSTOMER DRAWING

PART NO. SEE TABLE

NO.	PART NO.	BARREL		INSULATION BARREL	
		W1	H1	W2	H2
1	ST731367-3 (S)	1.9	2.05	6.0	4.5
2	ST731368-3 (M)	2.4	2.3	6.0	4.5
	△ST731368-S (M)				
3	ST731369-3 (L)	3.2	2.9	6.0	4.5
	△ST731369-S (L)				

GENERAL TOLERANCE (TERMINAL)						USED ON
10 MAX	20 MAX	45 MAX	45 VR	ANGLE	ECCENT	
±0.2	±0.25	±0.3	±0.5	±30'	0.1	

NO.	PART NO.	도체 규격 (SQ)	전선 외경 (mm ²)	적용 WIRE SEAL
1	ST731367-3 (S)	0.13 ~ 0.22	0.9 ~ 1.3	MG685389 [BLUE]
2	ST731368-3 (M) △ST731368-S (M)	0.3 ~ 0.5	1.4 ~ 1.7	MG685390 [RED]
			1.8 ~ 2.2	MG685391 [GREEN]
3	ST731369-3 (L) △ST731369-S (L)	0.85 ~ 1.25	2.3 ~ 2.5	MG685392 [BLACK]
			2.6 ~ 2.9	MG685393 [GRAY]



NOTE

- MUST BE FREE OF BURR AND IMPERFECTION THAT AFFECT FUNCTION.
- APPLICABLE MALE TERMINAL : ST741340-3, ST741341-3, ST741342-3
△ST741341-S, ST741342-S
- △ Ag PRE-TIN PLATING SPECIFICATION ST731368-S(M), ST731369-S(L)
- GROUND : Ni 1.0~2.0um(Matted), Ag 1.0~2.0um
(Ag CONTENT : 99.70% ~ 99.90%)
- 6 HAZARDOUS SUBSTANCES IN PARTS (LEAD, MERCURY, CADMIUM, HEXAVALENT CHROMIUM, PBBs, PBDEs) SHALL NOT EXCEED THE MAXIMUM PERMISSIBLE CONCENTRATION PRESCRIBED UNDER EU ELV DIRECTIVE & RoHS REGULATION.

주 기

- 제품 기능상 유해한 BURR 및 변형등이 없을 것.
- 적용 상대 MALE TERMINAL : ST741340-3, ST741341-3, ST741342-3
△ST741341-S, ST741342-S
- △ Ag 선도금 사양 ST731368-S (M), ST731369-S(L)
- 하지 : Ni 1.0~2.0um(무광), Ag : 1.0~2.0um
(Ag 함유량 : 99.70% ~ 99.90%)
- 제품내 함유된 6대 유해물질 (납, 수은, 카드뮴, 6가크롬, PBBs, PBDEs)은 EU ELV 지침 및 RoHS 법규에서 지정한 최대 허용 농도를 초과해서는 안된다.

APPROVED
2016-03-07
KOREA ELECTRIC TERMINAL CO., LTD.
Korea Electric Terminal Co., LTD.

ISSUE MARK

						MATERIAL	Copper Alloy	KET KOREA ELECTRIC TERMINAL CO., LTD. ENGINEERED	
						FINISH	PRE-TIN		
						WIRE RANGE		CLASS	060
						INSULATION		TYPE	WP
△	ECO-1509-357 근거 도면 제작성 (은도금 사양 추가)	SY.L	LSY	15.09.30		TOLERANCE EXCEPT AS NOTED	SEE TABLE	SCALE	5/1
LTR	REVISION RECORD	DR.	CHK.	APP.	DATE	PART NAME	ST731367/1368/1369-3 △/1368-S/1369-S		
DR.	J.K SEO. '13.02.19	CHK.				NO60 WP FEMALE TERMINAL (S, M, L)			
CHK.	HYJ '13.02.19	APP.	HSH '13.02.19						

COMENSIONS IN MM)