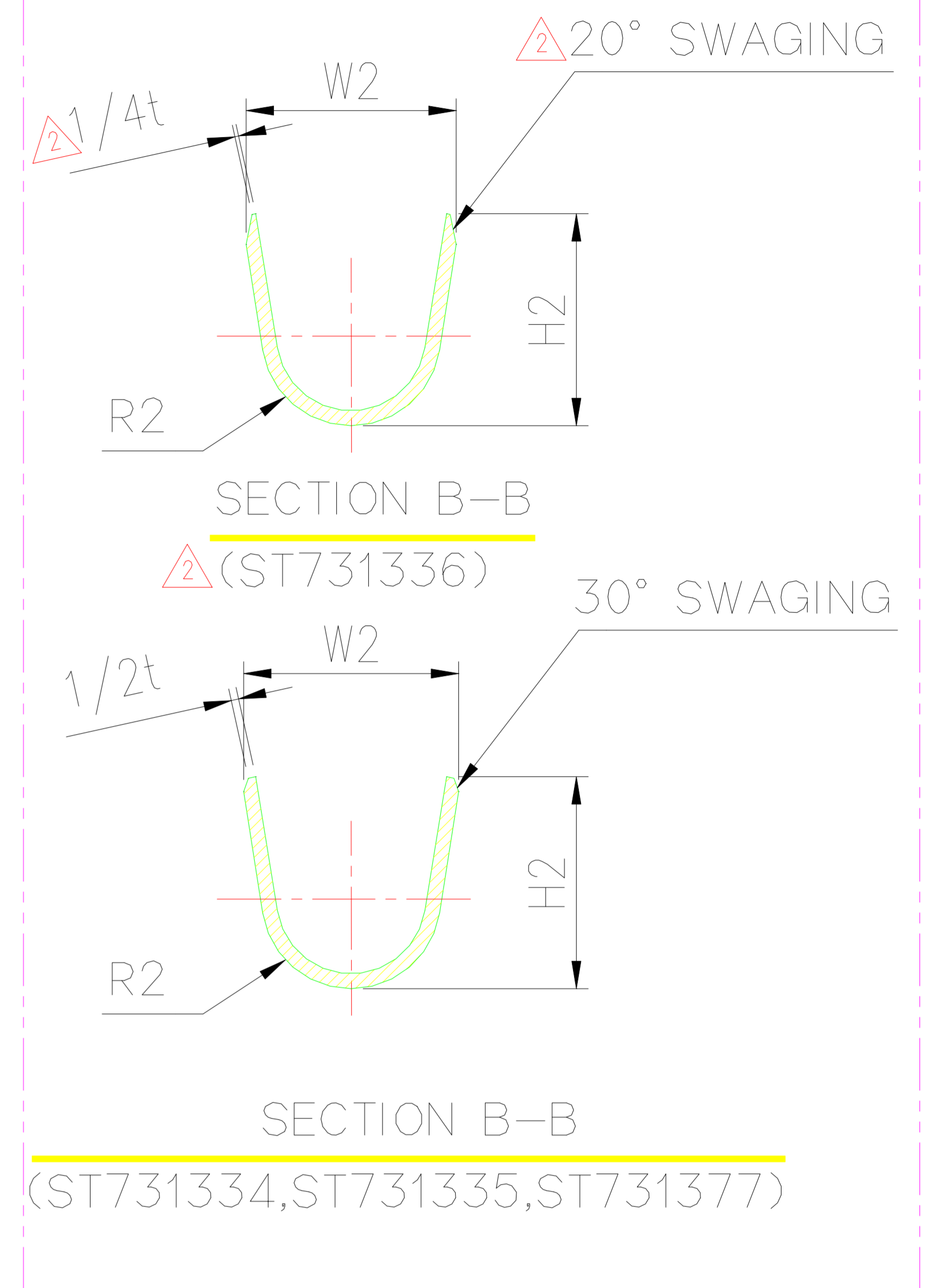
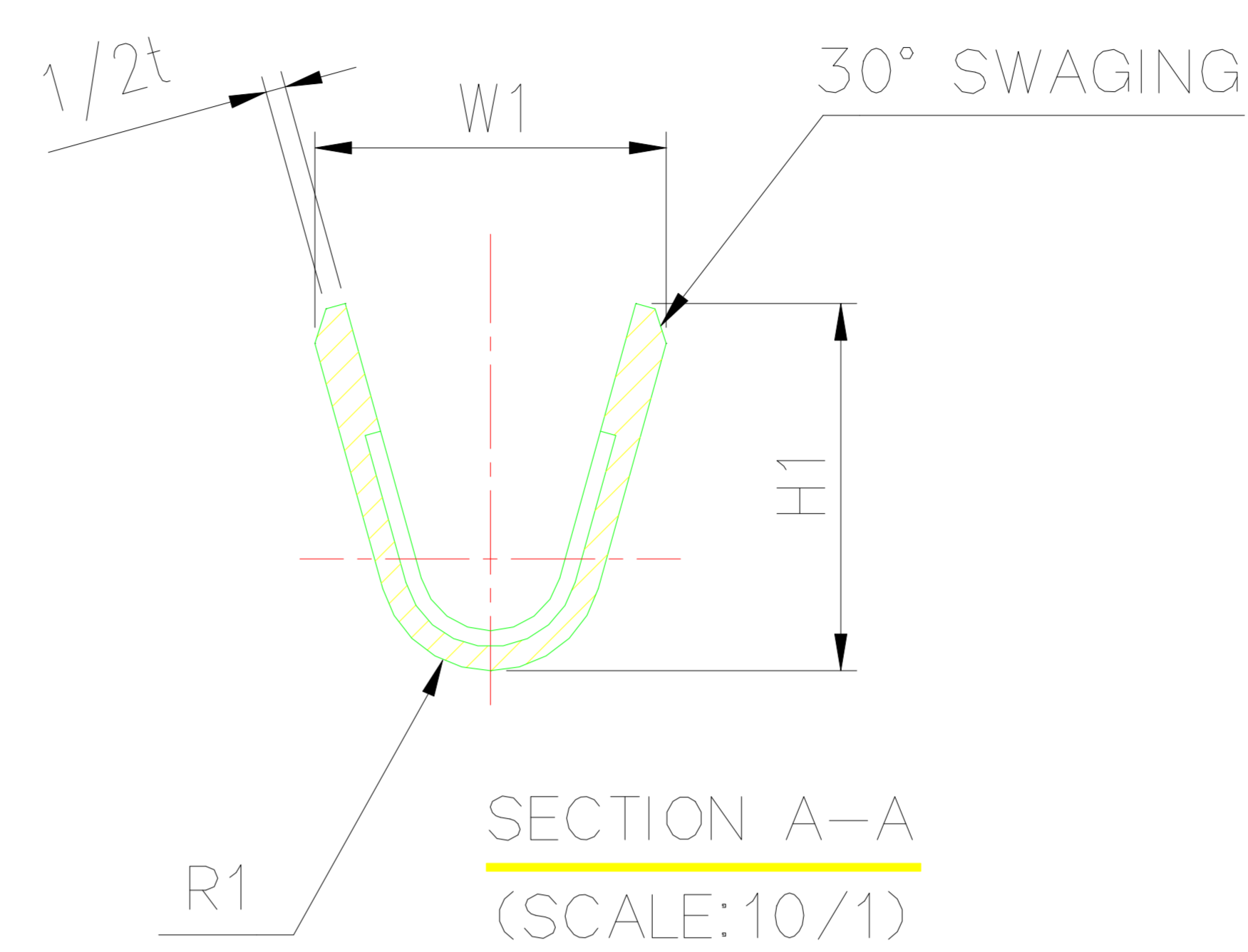
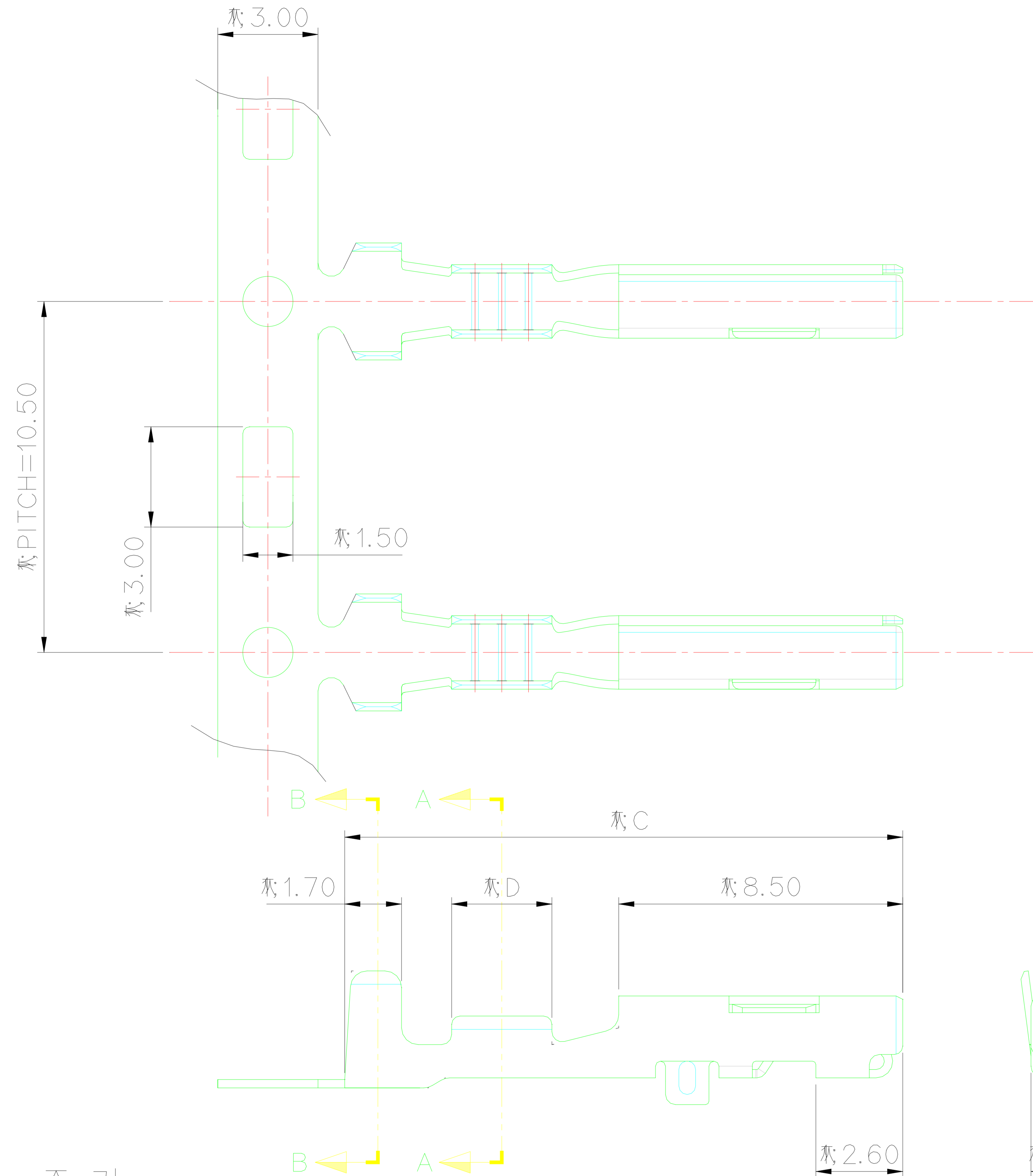


PART NO. SEE TABLE

CUSTOMER DRAWING

BARREL PART NO.	WIRE RANGE (mm <sup>2</sup> )	WIRE BARREL					INSULATION BARREL		
		C	D	W1	H1	R1	W2	H2	R2
ST731334 (S)	CHFUS 0.22 AVSS 0.22	16.2	2.5	1.9	(2.05)	0.6	2.1	(2.3)	1.0
ST731335 (M)	AVSS 0.3 - 0.5	16.2	2.5	2.3	(2.4)	0.7	2.5	(3.2)	1.2
ST731336 (L)	AVSS 0.85 - 1.25 0.3+0.3, 0.3+0.5, 0.5+0.5	16.7	3.0	2.6	$\Delta$ (3.0)	0.9	$\Delta$ 3.65 $\Delta$	$\Delta$ (4.0) $\Delta$	$\Delta$ 1.3 $\Delta$
$\Delta$ ST731377 (XL)	AVSS 2.0	16.7	3.0	2.8	(3.35)	1.1	$\Delta$ 3.65 $\Delta$	$\Delta$ (4.0) $\Delta$	$\Delta$ 1.3 $\Delta$

GENERAL TOLERANCE (TERMINAL)					USED ON
10MAX	20MAX	45MAX	ANGLE	ECCENT	
±0.2	±0.25	±0.3	±30'	0.1	



**NOTE**

- UNLESS OTHERWISE SPECIFIED ALL RADII TO BE 0.3RADIUS, CHAMFER 0.1.
- MUST BE FREE OF FLASH, SINK AND IMPERFECTION THAT AFFECT FUNCTION.
- KET CAVITY NO : □ TYPE, TAPER 15° (H; 0.1~0.2, SIZE; 1.0)
- APPLICABLE TERMINAL : ST741331-3, ST741332-3, ST741333-3
- 6 HAZARDOUS SUBSTANCES IN PARTS (LEAD, MERCURY, CADMIUM, HEXAVALENT CHROMIUM, PBBs, PBDEs) SHALL NOT EXCEED THE MAXIMUM PERMISSIBLE CONCENTRATION PRESCRIBED UNDER EU ELV DIRECTIVE & RoHS REGULATION.

**주 기**

- 지시없는 R은 0.3, C는 0.1로 한다
- 기능상 유해한 BURR 및 변형이 없을 것.
- KET 문자 : □ TYPE, 기울기 15° (문자높이=0.1-0.2 SIZE=1.0)
- 적용TAB TERMINAL : ST741331-3, ST741332-3, ST741333-3
- 제품내 함유된 6대 유해물질 (납,수은,카드뮴,6가크롬, PBBs,PBDEs)은 EU ELV 지침 및 RoHS 법규에서 지정한 최대 허용 농도를 초과해서는 안된다.

ISSUE MARK

		MATERIAL		Copper Alloy		KET KOREA ELECTRIC TERMINAL CO., LTD.			
		FINISH		Pre-Tin					
$\Delta$ 2	ECO-1212-124 큰거 도면 재작성	KMH	CWK	HSH	12.12.17	WIRE RANGE		CLASS	060
$\Delta$ 1	ECO-1211-117 큰거 도면 재작성 (ECO-1211-122)	KMH	CWK	HSH	12.11.22	INSULATION		TYPE	
LTR REVISION RECORD		DR.	CHK.	APP.	DATE	TOLERANCE EXCEPT AS NOTED	SEE TABLE	SCALE	5/1
DR. KMH. '12.02.23		CHK.				PART NAME		060 FEMALE TERMINAL (S, M, L)	
CHK. CSH		APP.		HSH 2/23					

DIMENSIONS IN MM