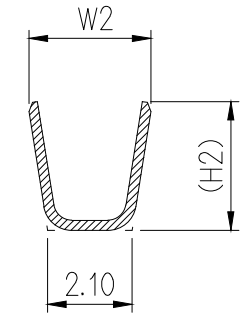
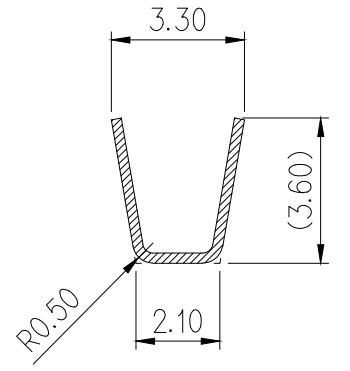


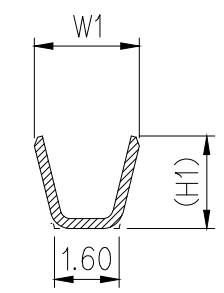
SECTION A-A'  
[ST731324-3]



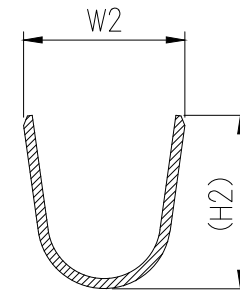
SECTION B-B'  
[ST731324-3]



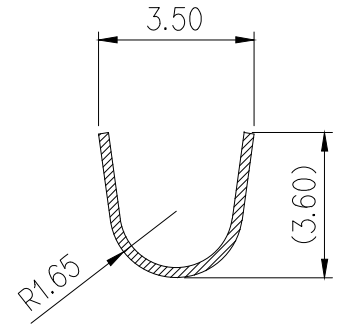
SECTION D-D'  
[ST731324-3]



SECTION A-A'  
[ST731307-3]



SECTION B-B'  
[ST731307-3]



SECTION D-D'  
[ST731307-3]

GENERAL TOLERANCE (TERMINAL)						USED ON
10 MAX	20 MAX	45 MAX	45 VR	ANGLE	ECCENT	
±0.2	±0.25	±0.3	±0.5	±30'	0.1	

NO.	PART NAME	PART NO.	W1	(H1)	R1	W2	(H2)	R2	WIRE RANGE(mm <sup>2</sup> )
1	NEW 060 FEMALE TM'L(S)	ST731324-3	2.00	1.90	0.60	3.00	3.20	0.70	0.22~0.34
2	NEW 060 FEMALE TM'L(M)	ST731307-3	2.60	2.30	0.50	3.60	4.30	1.65	0.53~0.86

**NOTE**

- UNLESS OTHERWISE SPECIFIED ALL RADII TO BE 0.3 RADIUS.
- MUST BE FREE OF FLASH, SINK AND IMPERFECTION THAT AFFECT FUNCTION.
- APPLICABLE HOUSING : MG613212, MG615482
- 6 HAZARDOUS SUBSTANCE IN PARTS (LEAD, MERCURY, CADMIUM, HEXAVALENT CHROMIUM, PBBs, PBDEs) SHALL NOT EXCEED THE MAXIMUM PERMISSIBLE CONCENTRATION PRESCRIBED BY THE EU ELV DIRECTIVE & THE ROHS REGULATION..

**NOTE**

- 지시없는 R=0.30으로 한다.
- 기능상 유해한 흠, 변형 및 BURR가 없을것.
- 적용 HOUSING : MG613212, MG615482
- 제품내 함유된 6대 유해물질 (납, 수은, 카드뮴, 6가크롬, PBBs, PBDEs)은 EU ELV 지침 및 ROHS 법규에서 지정한 최대허용 농도를 초과해서는 안된다.



ISSUE MARK

						MATERIAL	Copper Alloy	KOREA ELECTRIC TERMINAL CO., LTD.	
						FINISH	PRE-TIN		
						WIRE RANGE	SEE TABLE	CLASS	060
						INSULATION		TYPE	
△	설계변경(S110116)근거 도면변경	KSH		'11.04.18		TOLERANCE EXCEPT AS NOTED	SEE TABLE	SCALE	5/1
LTR	REVISION RECORD	DR.	CHK.	APP.	DATE	PART NO.	ST731307,731324-3		
	DR. KSH '10.11.21		CHK.			PART NAME	NEW 060 FEMALE TERMINAL		
	CHK.		APP.		11/22				