

SEE TABLE

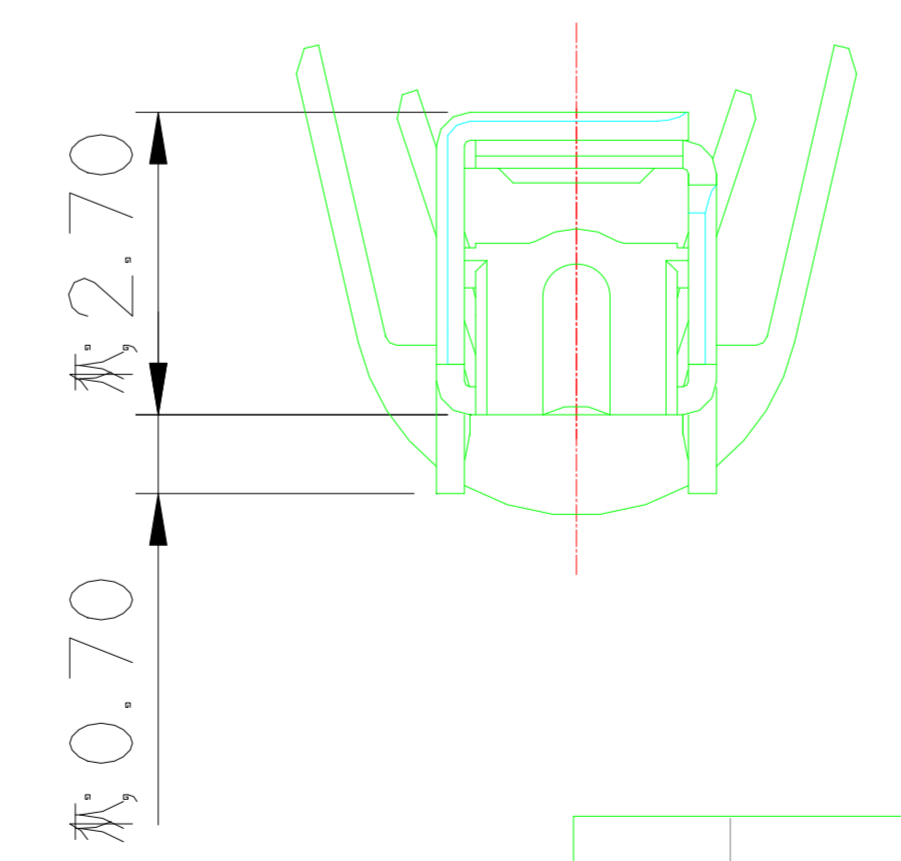
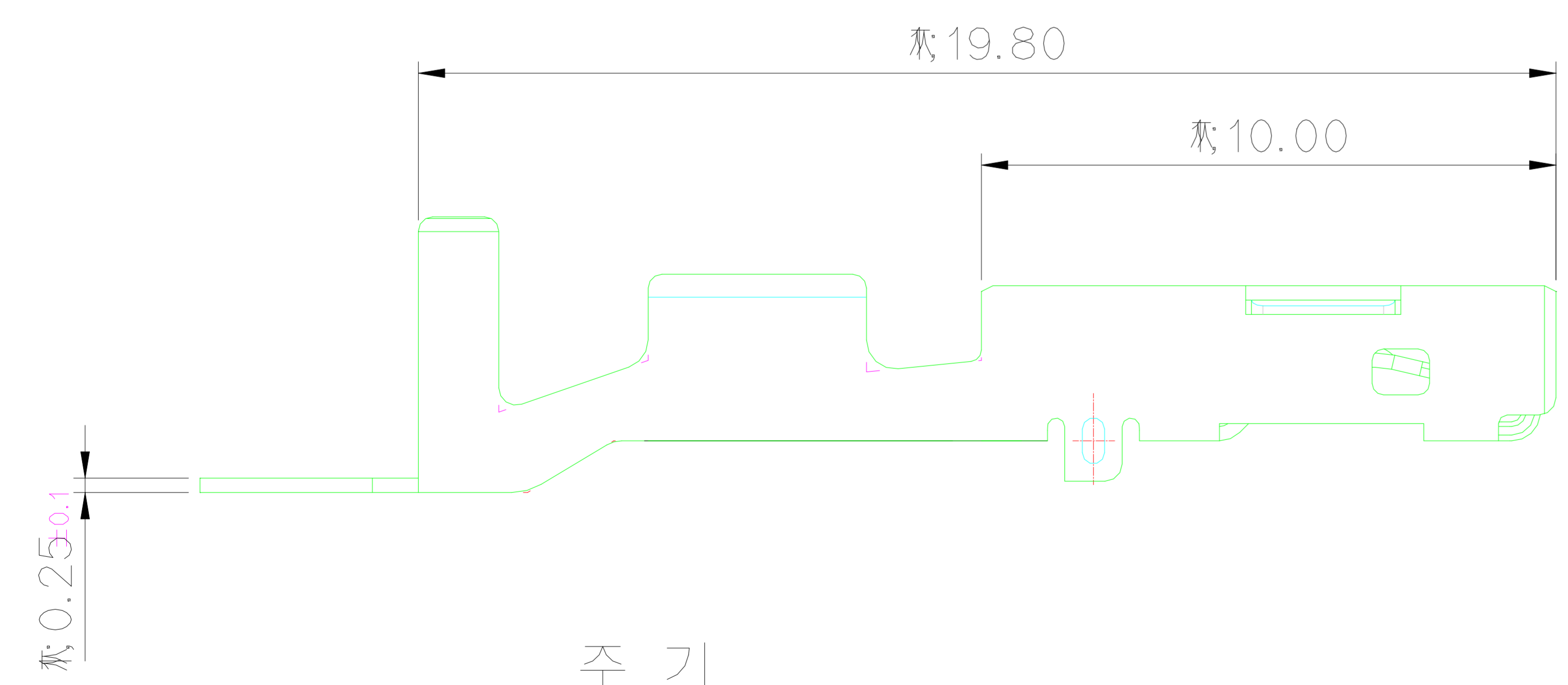
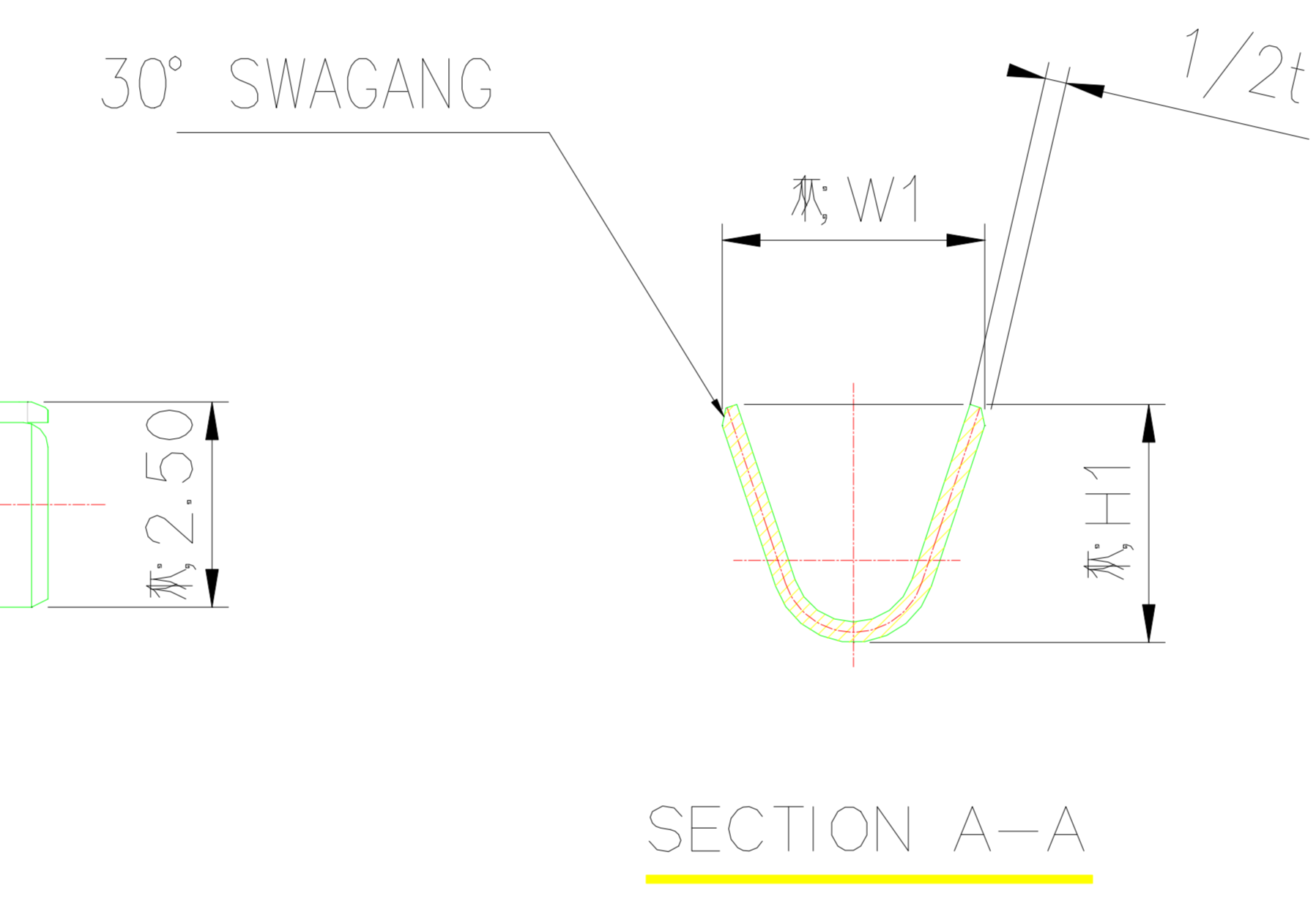
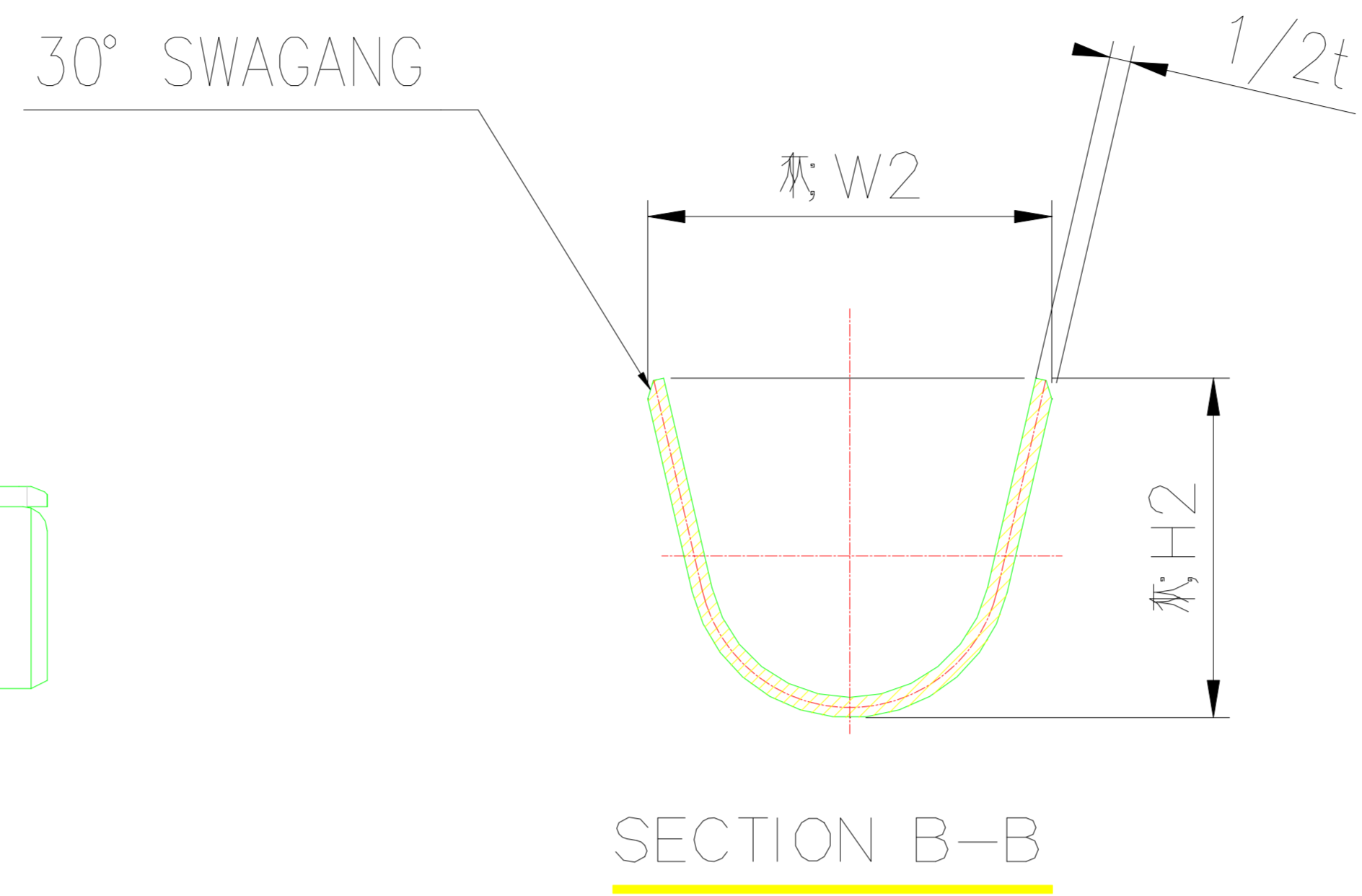
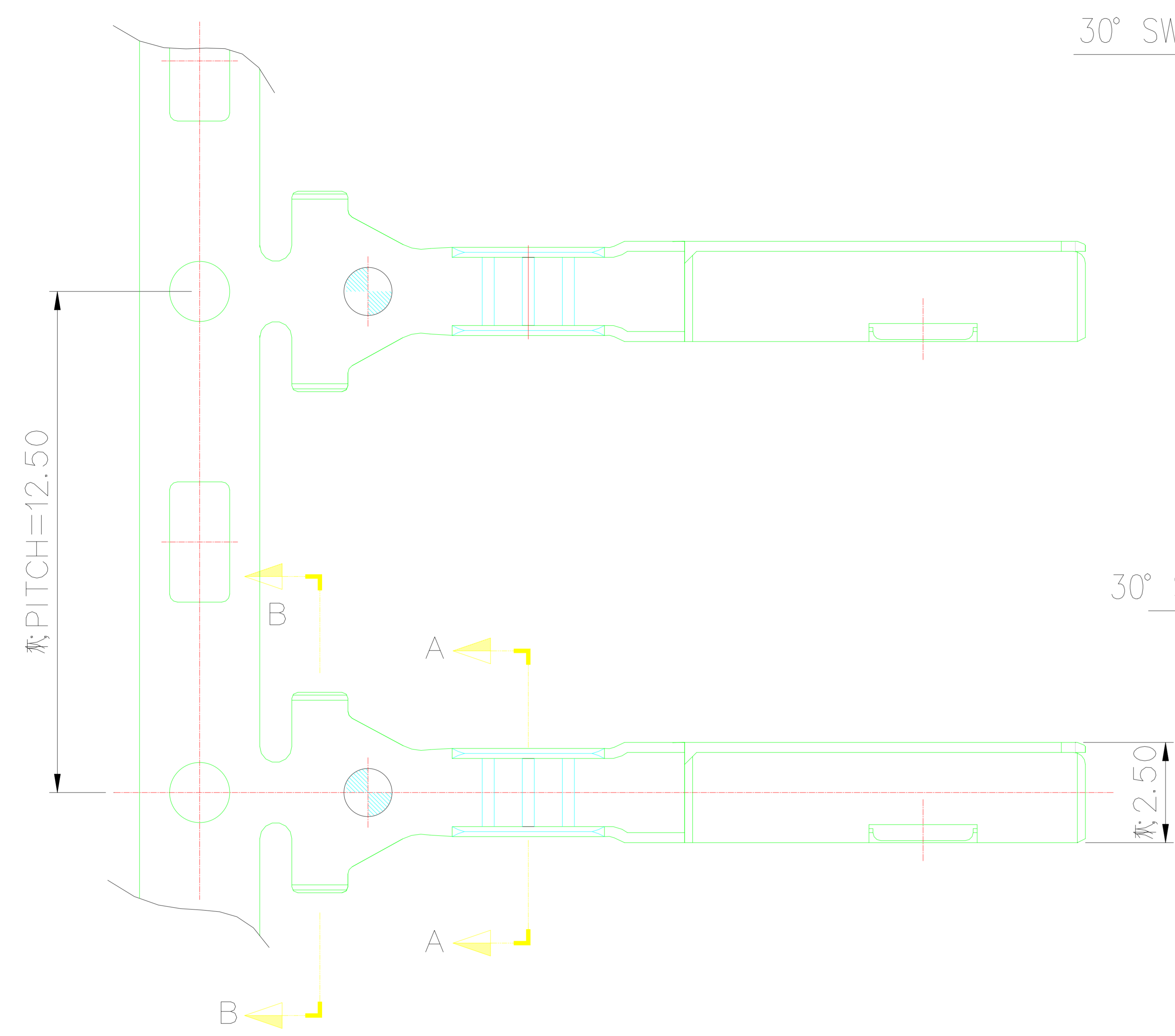
PART NO.

CUSTOMER DRAWING

DIMENSIONS IN MM

PART NO.	WIRE BARREL		INSULATION BARREL	
	W1	H1	W2	H2
ST731273 (SS)	1.9	(2.05)	6.0	4.8
ST731274 (S)	2.4	2.3	6.0	4.8
ST731275 (M)	3.2	2.9	6.0	4.8

GENERAL TOLERANCE (TERMINAL)						USED ON
10 MAX	20 MAX	45 MAX	45 VR	ANGLE	ECCENT	
±0.2	±0.25	±0.3	±0.5	±30'	0.1	



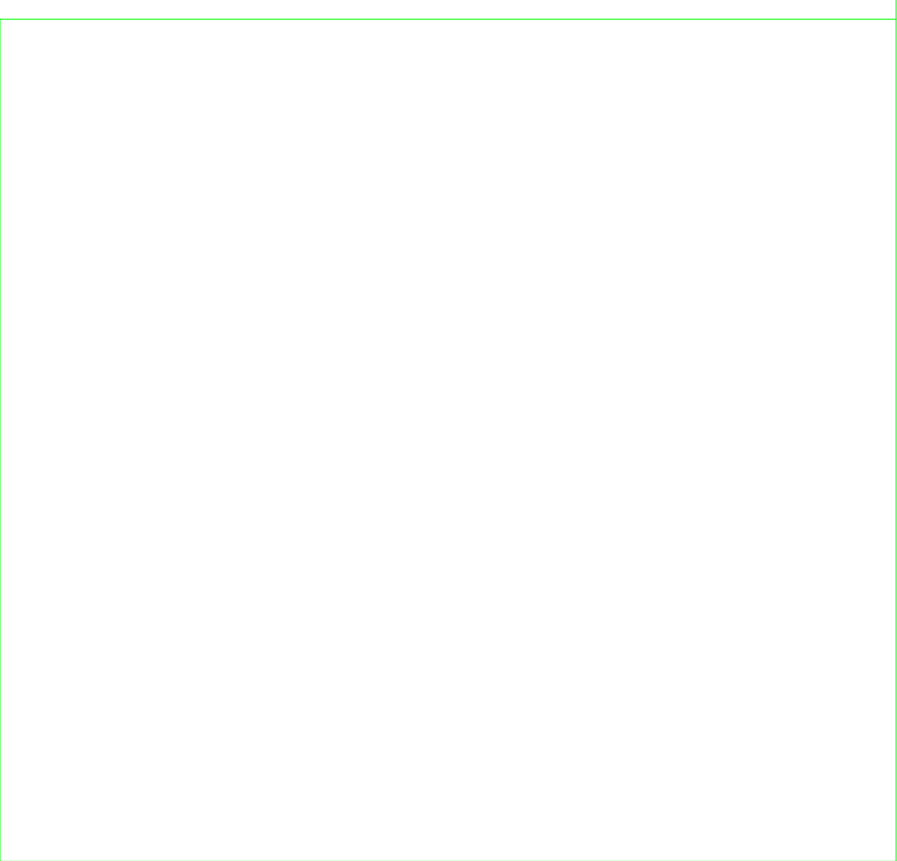
NO.	PART NO.	도체 규격 (SQ)	전선 외경 (mm <sup>2</sup> )	WIRE SEAL
1	ST731273 (SS)	0.13 ~ 0.22	0.90 ~ 1.30	-
2	ST731274 (S)	0.3 ~ 0.5	1.40 ~ 1.70	MG683894 [BLUE]
			1.80 ~ 2.20	MG683895 [RED]
3	ST731275 (M)	0.85 ~ 1.25	2.30 ~ 2.50	MG683896 [BLACK]
			2.60 ~ 2.90	MG683897 [GREEN]

**NOTE**

- MUST BE FREE OF BURR AND IMPERFECTION THAT AFFECT FUNCTION.
- APPLICABLE MALE TERMINAL : ST741276/1277/1278-3
- 6 HAZARDOUS SUBSTANCES IN PARTS (LEAD, MERCURY, CADMIUM, HEXAVALENT CHROMIUM, PBBs, PBDEs) SHALL NOT EXCEED THE MAXIMUM PERMISSIBLE CONCENTRATION PRESCRIBED UNDER EU ELV DIRECTIVE & RoHS REGULATION.

**주 기**

- 제품 기능상 유해한 BURR 및 변형등이 없을 것.
- 적용 상대 MALE TERMINAL : ST741276/1277/1278-3
- 제품내 함유된 6대 유해물질 (납,수은,카드뮴,6가크롬, PBBs, PBDEs)은 EU ELV 지침 및 RoHS 법규에서 지정한 최대 허용 농도를 초과해서는 안된다.



ISSUE MARK

MATERIAL	Copper Alloy	<b>KET</b> KOREA ELECTRIC TERMINAL CO., LTD. <small>ENGINEERED</small>
FINISH	PRE-TIN	
WIRE RANGE		CLASS 060
INSULATION		TYPE WP
LTR	REVISION RECORD	DR. CHK. APP. DATE
DR.	HKS. '10.04.01	CHK. JYS. '10.04.01
CHK.		APP. KKJ. '10.04.01
TOLERANCE EXCEPT AS NOTED	SEE TABLE	SCALE 5/1
PART NAME	060 FEMALE WP TERMINAL (SS, S, M)	
PART NO.	ST731273/74/75-3	