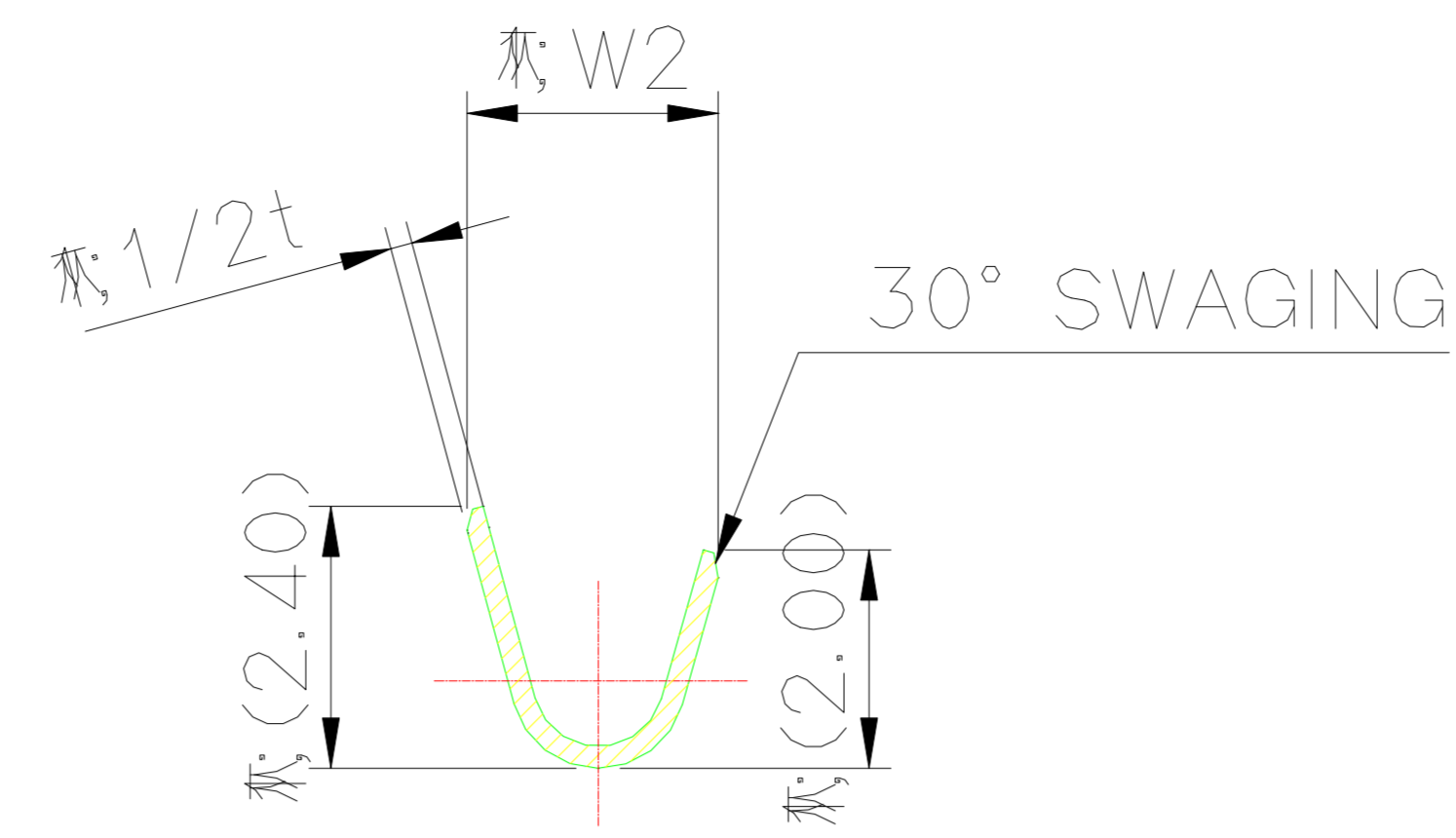
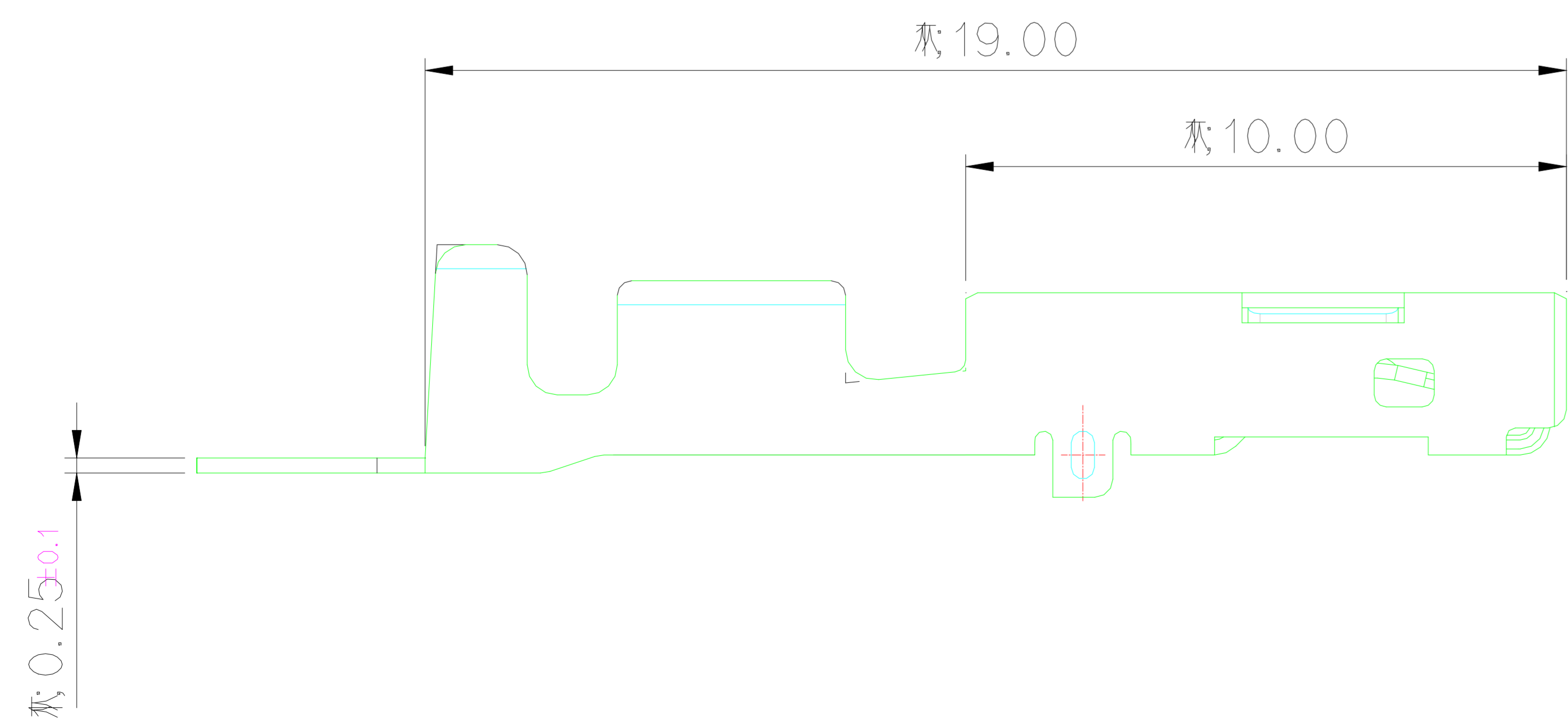
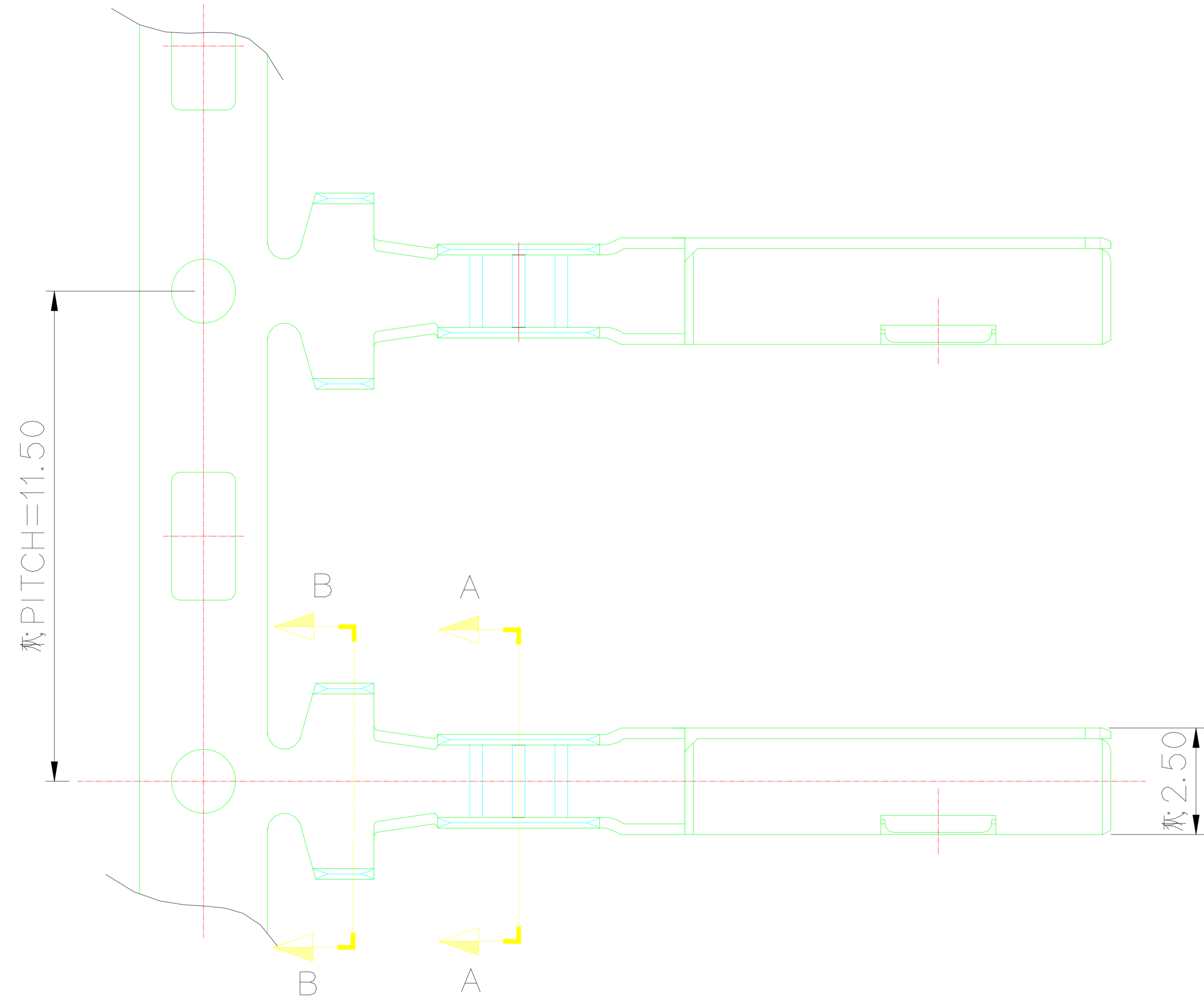
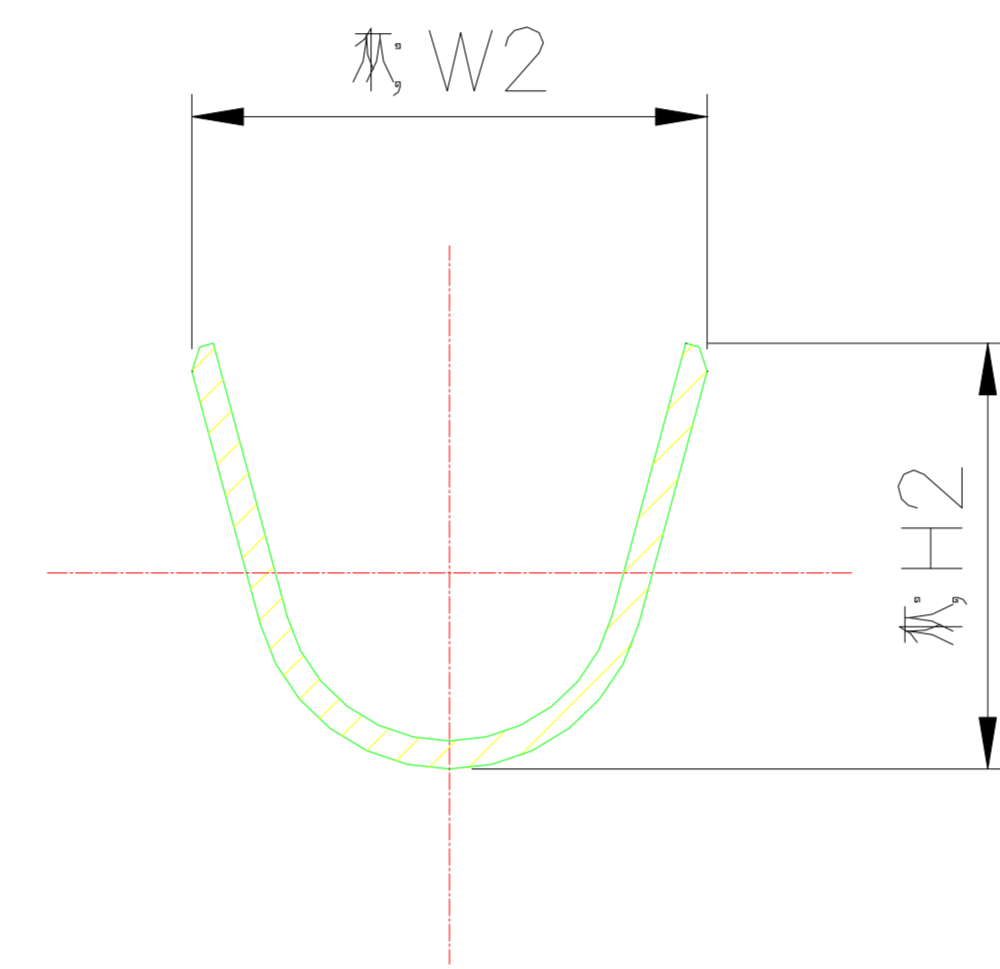


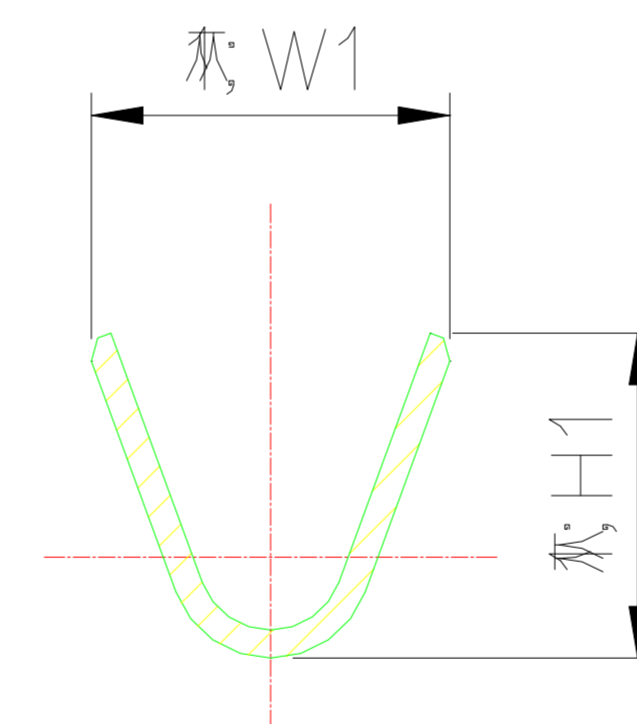
PART NO.	BARREL WIRE RANGE (mm <sup>2</sup> )	WIRE BARREL		INSULATION BARREL	
		W1	H1	W2	H2
ST731267 (SS)	CHFUS(AVSS) 0.22	1.9	(2.05)	2.3	—
ST731268 (S)	AVSS 0.3 – 0.5	2.2	2.3	3.6	3.3
ST731269 (M)	AVSS 0.85 – 1.25	3.0	2.9	4.6	3.8



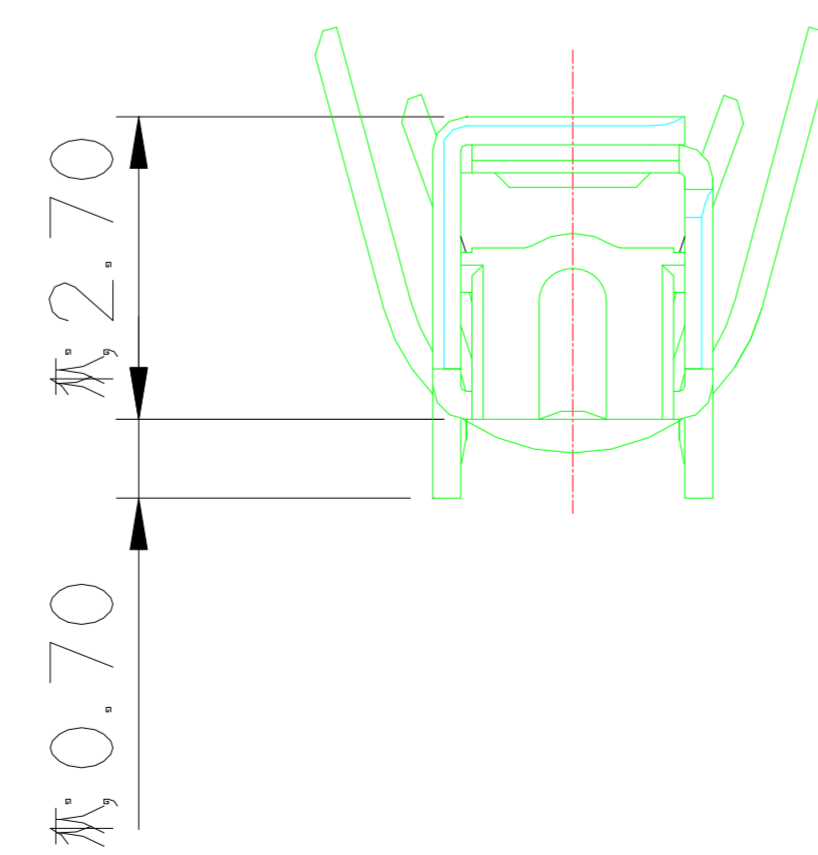
SECTION C-C



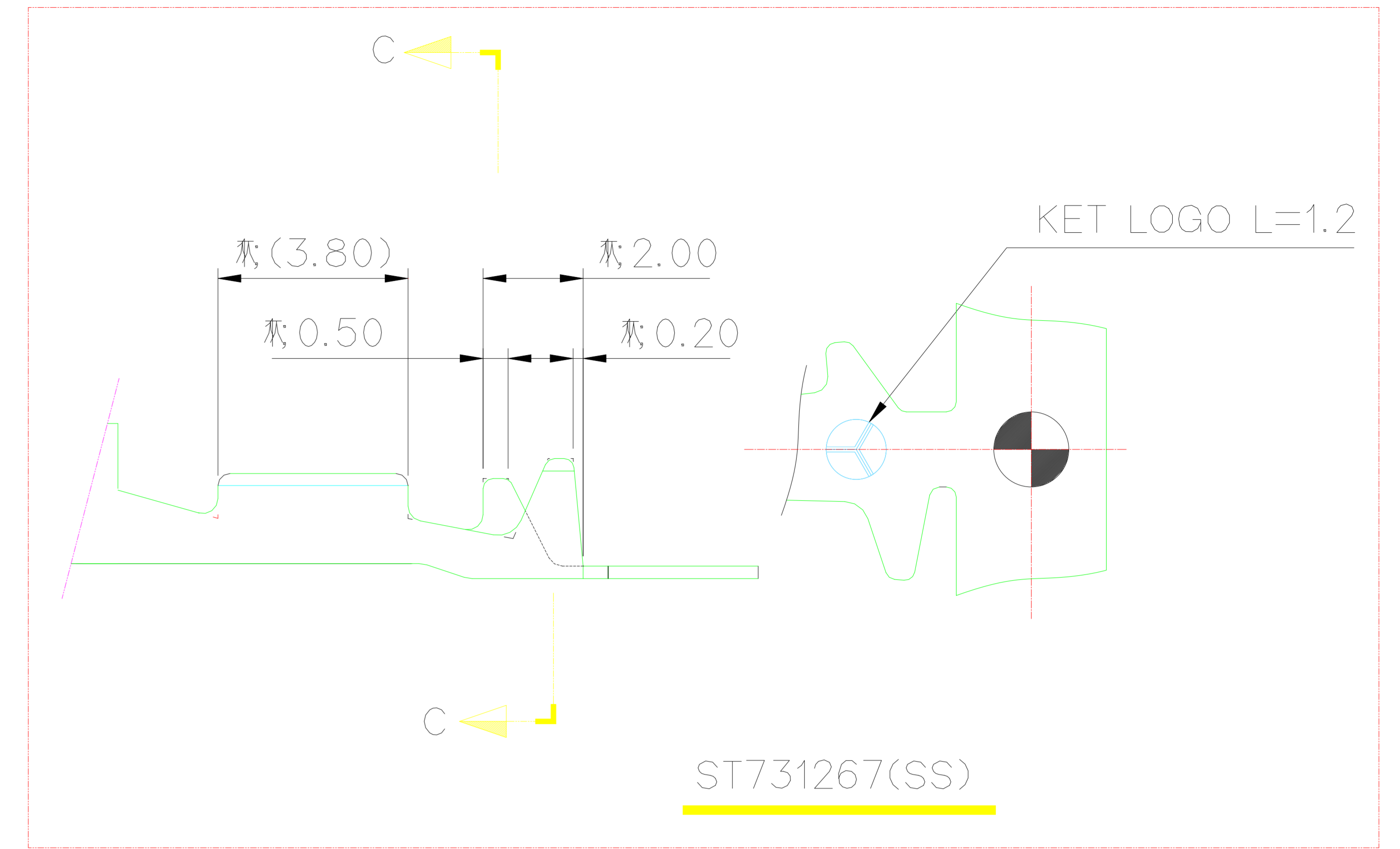
SECTION B-B



SECTION A-A



GENERAL TOLERANCE (TERMINAL)						USED ON
10 MAX	20 MAX	45 MAX	45 VR	ANGLE	ECCENT	
±0.2	±0.25	±0.3	±0.5	±30'	0.1	



주 기

1. 제품 기능상 유해한 BURR 및 변형등이 없을 것.
2. 적용 상대 MALE TERMINAL : ST741270/1271/1272-3
3. 제품내 함유된 6대 유해물질 (납,수은,카드뮴,6가크롬, PBBs,PBDEs)은 EU ELV 지침 및 RoHS 법규에서 지정한 최대 허용 농도를 초과해서는 안된다.

NOTE

1. MUST BE FREE OF BURR AND IMPERFECTION THAT AFFECT FUNCTION.
2. APPLICABLE MALE TERMINAL : ST741270/1271/1272-3
3. 6 HAZARDOUS SUBSTANCES IN PARTS (LEAD, MERCURY, CADMIUM, HEXAVALENT CHROMIUM, PBBs, PBDEs) SHALL NOT EXCEED THE MAXIMUM PERMISSIBLE CONCENTRATION PRESCRIBED UNDER EU ELV DIRECTIVE & RoHS REGULATION.

ISSUE MARK

		MATERIAL		Copper Alloy		KET KOREA ELECTRIC TERMINAL CO., LTD.		
		FINISH		PRE-TIN				
		WIRE RANGE				CLASS 060		
		INSULATION				TYPE		
LTR	REVISION RECORD	DR.	CHK.	APP.	DATE	TOLERANCE EXCEPT AS NOTED	SCALE 5/1	
						SEE TABLE	PART NO. ST731267/1268/1269	
DR.	HKS. '10.04.01	CHK.	JYS. '10.04.01	PART NAME				060 FEMALE TERMINAL (SS, S, M)
CHK.		APP.	KKJ. '10.04.01					