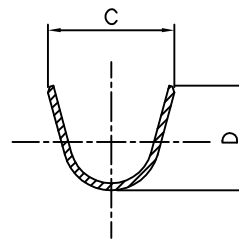
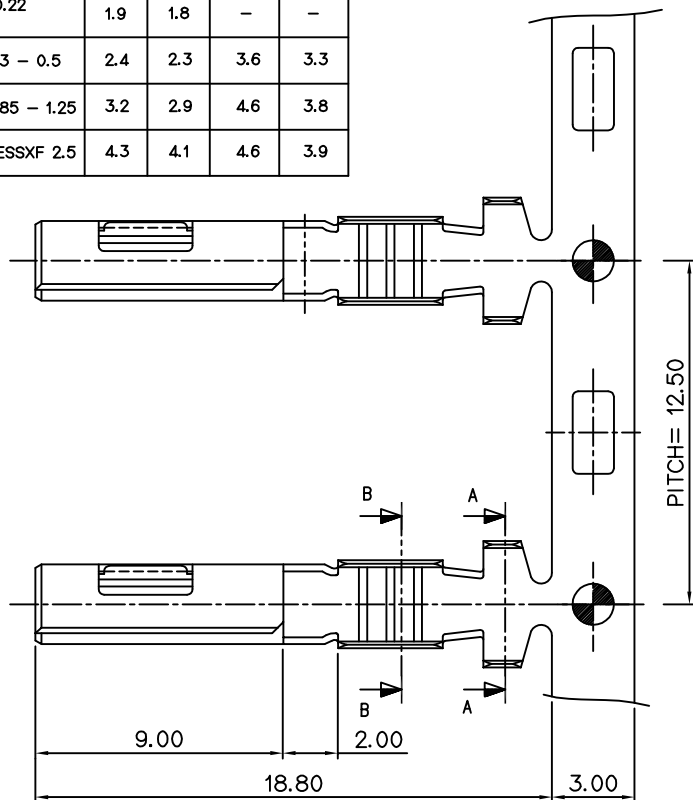
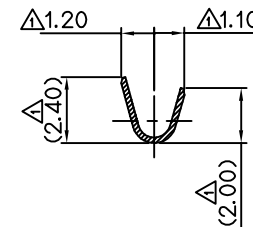


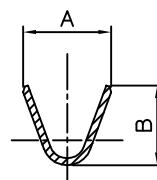
PART NO.	BARREL	WIRE RANGE (mm <sup>2</sup> )	WIRE BARREL		INSULATION BARREL	
			A	B	C	D
$\Delta$ ST731100 (SS)	CHFUS	0.13~0.22 AVSS 0.22	1.9	1.8	-	-
ST730675 (S)	AVS(CAVS)	0.3 - 0.5	2.4	2.3	3.6	3.3
ST730676 (M)	AVS(CAVS)	0.85 - 1.25	3.2	2.9	4.6	3.8
ST730677 (L)	AVSS 2.0 AESSXF 2.5		4.3	4.1	4.6	3.9



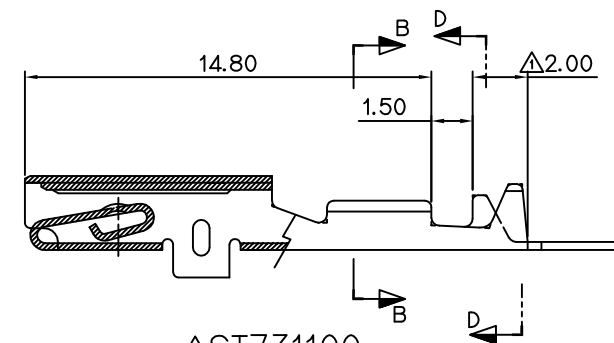
SECTION A-A



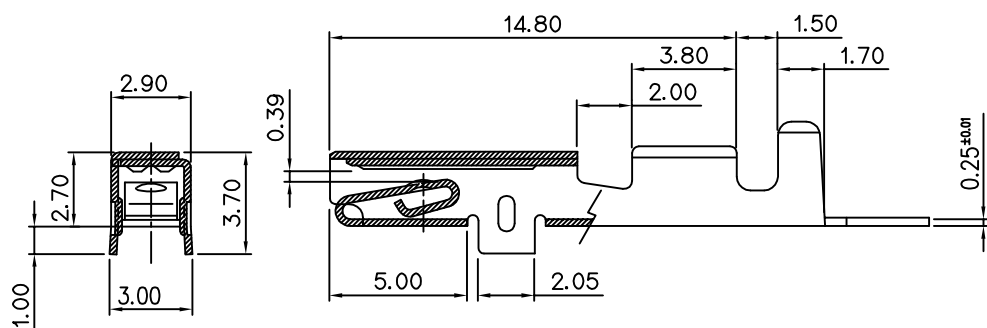
$\Delta$ SECTION D-D  
(ST731100)



SECTION B-B



$\Delta$ ST731100



SECTION C-C

GENERAL TOLERANCE (TERMINAL)					USED ON
10MAX	20MAX	45MAX	ANGLE	ECCENT	
±0.2	±0.25	±0.3	±30'	0.1	

주 기

1. TERMINAL 삽.발거력: IN,OUT 초기: 0.40kgf이하  
OUT(10회): 0.20kgf이상
- $\Delta$ 2. 적용MALE TERMINAL: ST740672, -673, -674, ST741101
- $\Delta$ 3. 제품내 함유된 6대 유해물질 (납,수은,카드뮴,6가크롬, PBBs,PBDEs)은 EU ELV 지침 및 RoHS 법규에서 지정한 최대 허용 농도를 초과해서는 안된다.



ISSUE MARK

					MATERIAL	COPPER ALLOY	<b>KET</b> KOREA ELECTRIC <b>ENGINEERED</b> TERMINAL CO., LTD.
					FINISH	PRE-TIN	
					WIRE RANGE	SEE TABLE	CLASS 7116-4020, 21, 22
					INSULATION	SEE TABLE	TYPE .090 II
$\Delta$	설계사양변경(080049)근거 사양 추가	YSW	CHK. <i>YSW</i>	APP. <i>YSW</i>	DATE	08.04.04	
LTR	REVISION RECORD	DR.	CHK.	APP.	DATE	TOLERANCE REVISION OF FIGURE	SCALE 5/1
	DR. WON. '03.06.02		CHK. <i>YSW</i>		6/02	SEE TABLE	PART NO. ST730675, 676, 677 $\Delta$ ST731100
	CHK.		APP. <i>CHOSH</i>		6/02	PART NAME	.090 II FEMALE TERMINAL(YAZAKI TYPE)