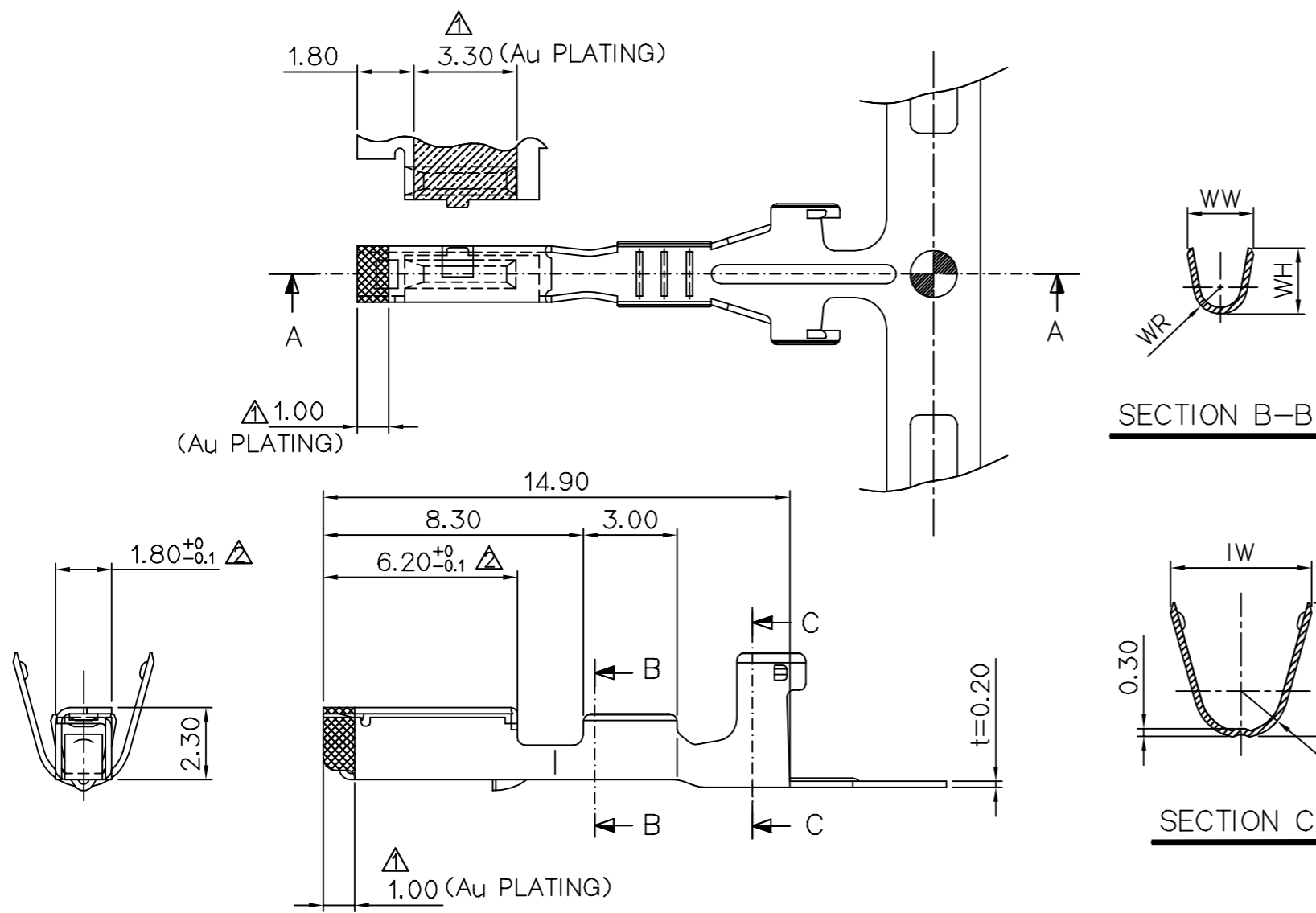


GENERAL TOLERANCE (TERMINAL)					USED ON
10MAX	20MAX	45MAX	ANGLE	ECCENT	
±0.20	±0.25	±0.30	±30'	0.10	

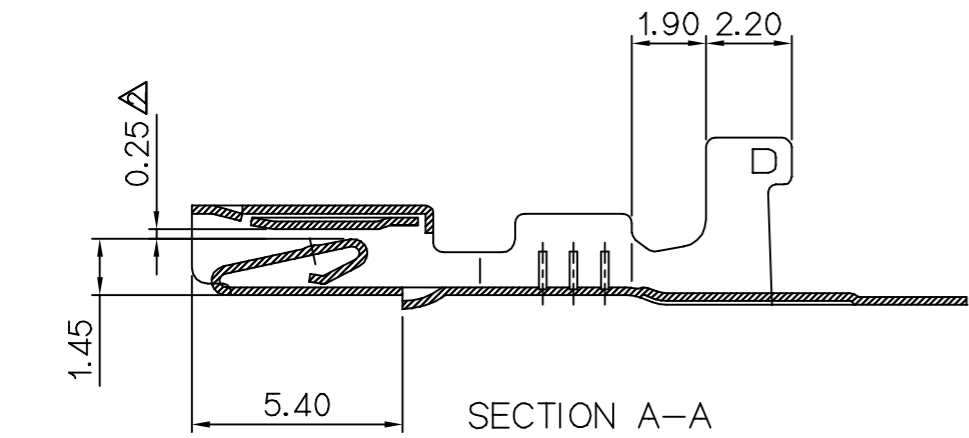


NOTE

- MUST BE FREE OF BURR, CRACK AND IMPERFECTION THAT AFFECT FUNCTION.
- APPLICABLE CONNECTOR : SSD CONNECTOR SERIES.
- 6 HAZARDOUS SUBSTANCES IN PARTS (LEAD, MERCURY, CADMIUM, HEXAVALENT CHROMIUM, PBBs, PBDEs) SHOULD NOT EXCEED THE MAXIMUM PERMISSIBLE CONCENTRATION PRESCRIBED UNDER EU ELV DIRECTIVE & RoHS REGULATION.
- WIRE INSULATION RANGE IS BASED ON STANDARD OUTER DIAMETER.
- WHEN RELIABILITY DURABILITY TEST, IT IS APPLIED BASED ON THE TEMPERATURE CLASS OF THE APPLIED WIRE.

주 기

- 제품 내 이상 \R\π\F \한 BURR, 변형 및 CRACK 등, | 없을 것.
- 적용제품 : SSD CONNECTOR SERIES.
- 제품내 함유된 6대 유해물질 (납, 수은, 카드뮴, 6가크롬, PBBs, PBDEs)은 EU ELV 지침 및 RoHS 법규에서 지정한 최대 허용 농도를 초과해서는 안 된다.
- 전선외경은 STANDARD 외경치수 기준.
- 신뢰성 내구평가 시 적용전선의 온도등급 기준으로 적용할 것



PART NO.	WIRE BARREL			INSULATION BARREL			WIRE SIZE (mm ²)	WIRE SEAL	
	WW	WH	WR	IW	IH	IR		PART NO.	INSULATION RANGE
ST730622	2.1	2.1	0.7	4.5	4.3	1.5	AVS,CAVS 0.3-0.5 CIVUS 0.5-0.75, FLR2X-B 0.5 CAVS 0.85, FLR2X-B 0.75	MG680713	φ1.4 ~ φ1.6
ST731103	1.9	(1.8)	0.6	4.5	4.3	1.5	CHFUS 0.22 AVSS 0.22	MG680713	
ST731188	2.1	2.3	0.7	4.5	4.3	1.5	AVS,CAVS 0.3 - 0.5 CIVUS 0.75 CIVUS 0.5 CAVS 0.85	MG680713 MG685627 MG680714	φ1.4 ~ φ1.6 φ1.1 ~ φ1.25 φ1.8 ~ φ2.0
ST731316	1.9	1.9	0.6	4.3	4.3	1.5	AVSS,CAVS 0.3 AVXF,AESSXF 0.3 CIVUS 0.35, FLR2X-A 0.35	MG680713 MG685627	φ1.4 ~ φ1.6 φ1.1 ~ φ1.25
ST731557	1.7	1.55	0.6	4.5	4.3	1.5	AESSXF 0.22	MG685627	φ1.1 ~ φ1.25

PART NO	FINISH
ST730622 ST731188 ST731316 ST731557	- Pre-Tin : 0.8 - 1.5 μm
ST730622-G ST731188-G ST731316-G	- Undercoat : Ni 1.0 - 2.0 μm - Au : Min 0.38 μm
ST730622GE	- Undercoat : Ni 1.0 - 2.0 μm - Au : Min 0.8 μm
ST730622-S	- Undercoat : Ni 1.0 - 2.0 μm - Ag : Min 1.0 μm

APPROVED
2021-10-25
KOREA ELECTRIC
TERMINAL CO., LTD.
Korea Electric Te
rminal Co., LTD.

ISSUE MARK

REVISION	REASON	DR.	CHK.	APP.	DATE	MATERIAL	FINISH	WIRE RANGE	INSULATION	TOLERANCE EXCEPT AS NOTED	SCALE	PART NO.
5	실제사양변경(090024) 근거 도면변경	BJG			09.02.24	MATERIAL COPPER ALLOY	SEE TABLE	SEE TABLE	SEE TABLE	SEE TABLE	5/1	SEE TABLE
4	실제사양변경(080051) 근거 도면변경 (사양 추가)	YSW			08.03.07							
3	사양변경 010086의 근거 도면변경	LSY			01.05.30							
2	고객요청에 의한 치수 추가	SUK			'00.11.11							
1	금도금 사양 추가(4곳)	JANG			98.05.06							
REVISION RECORD						DR. JANG 98.01.08	CHK. WJ	APP. CHOSM	DATE 01.09	PART NAME SSD FEMALE TERMINAL		