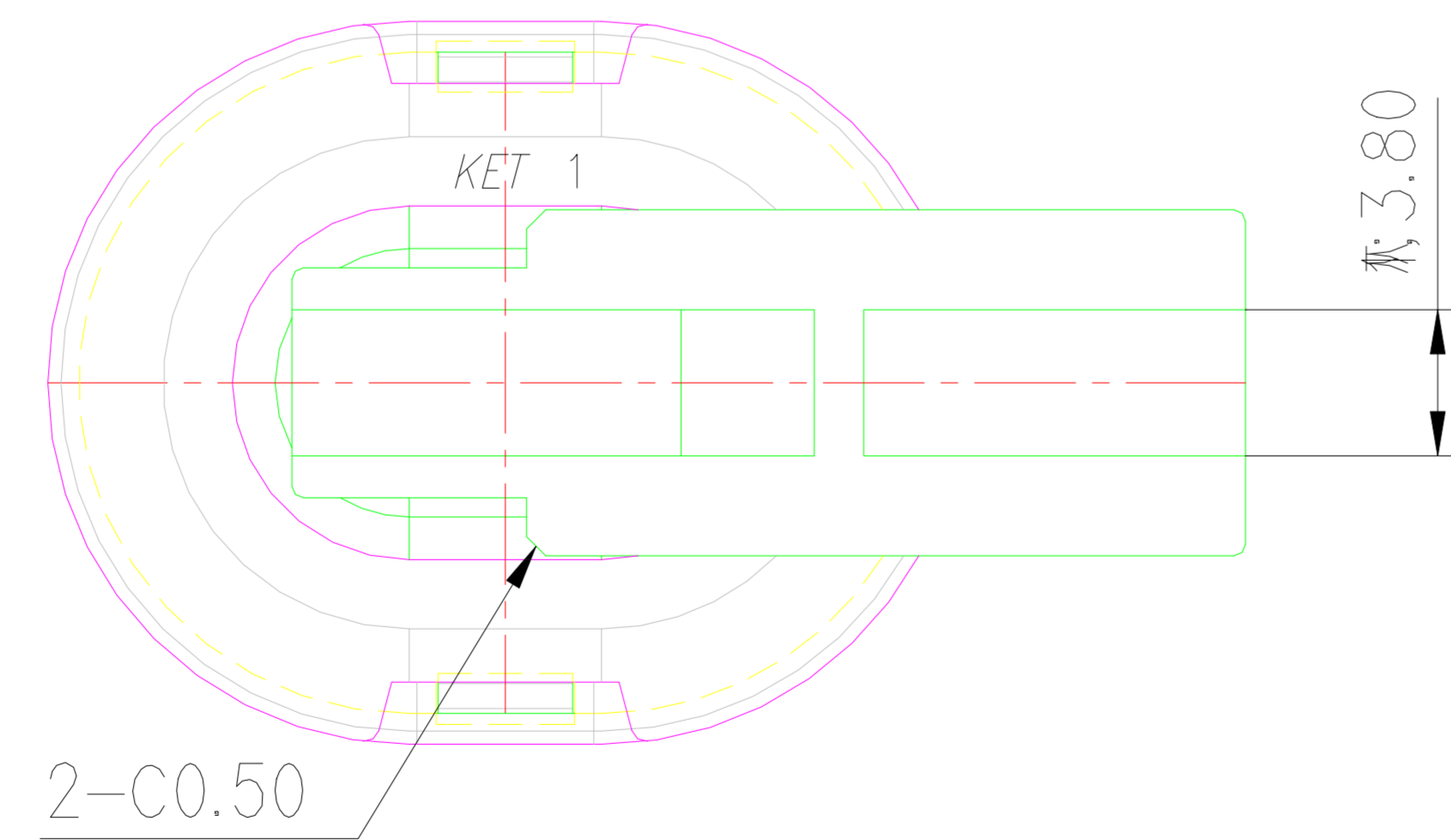
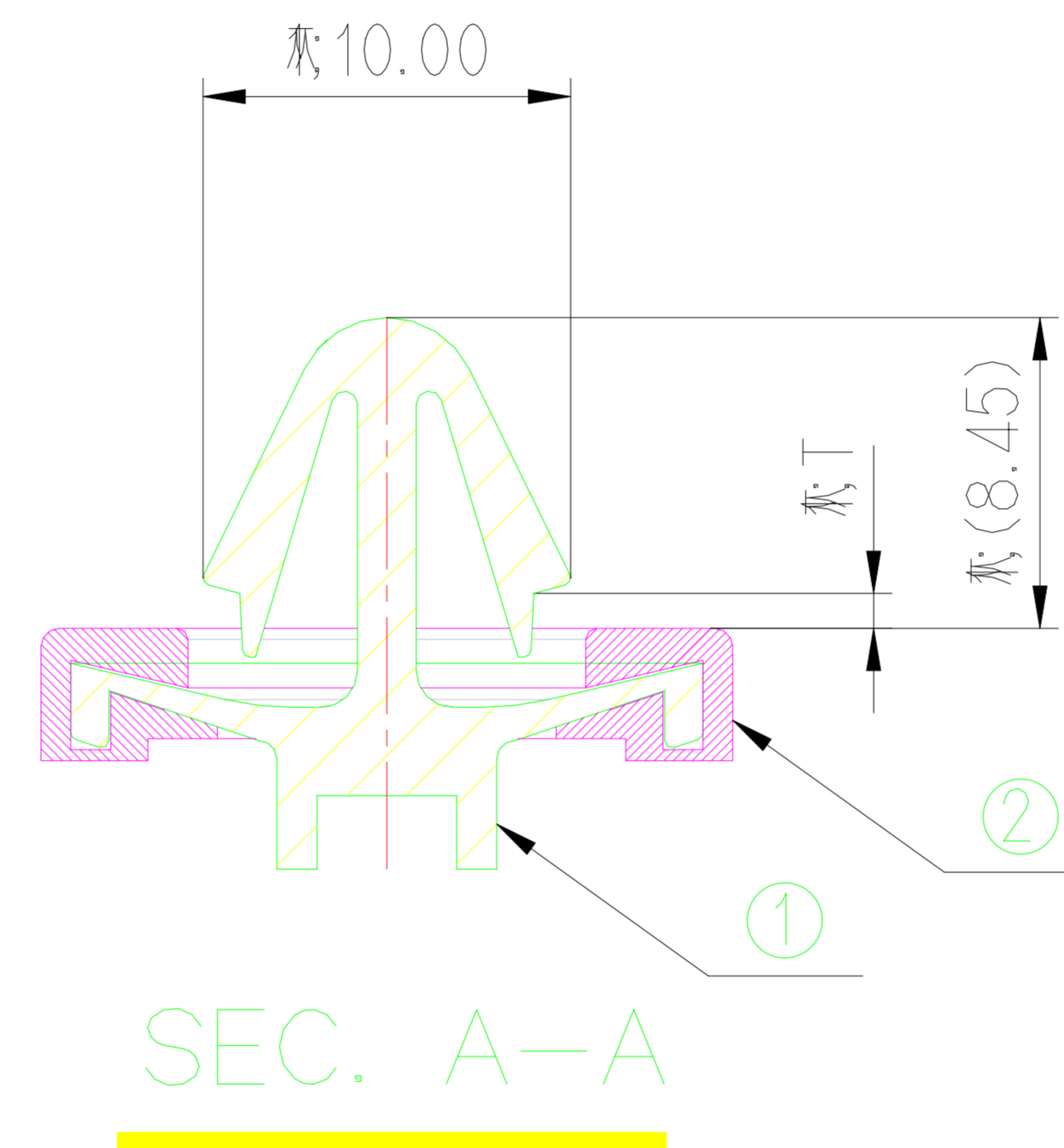
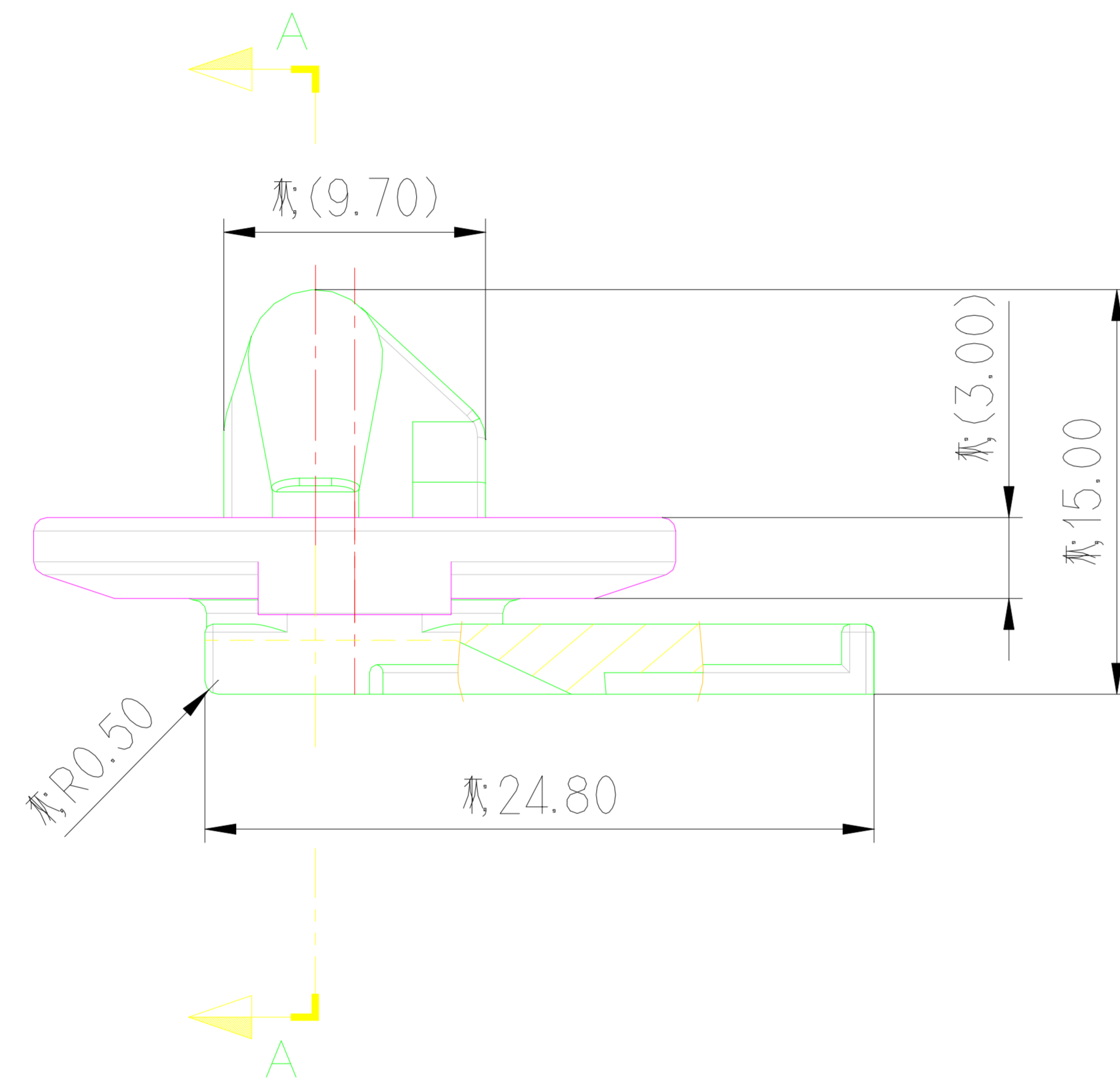
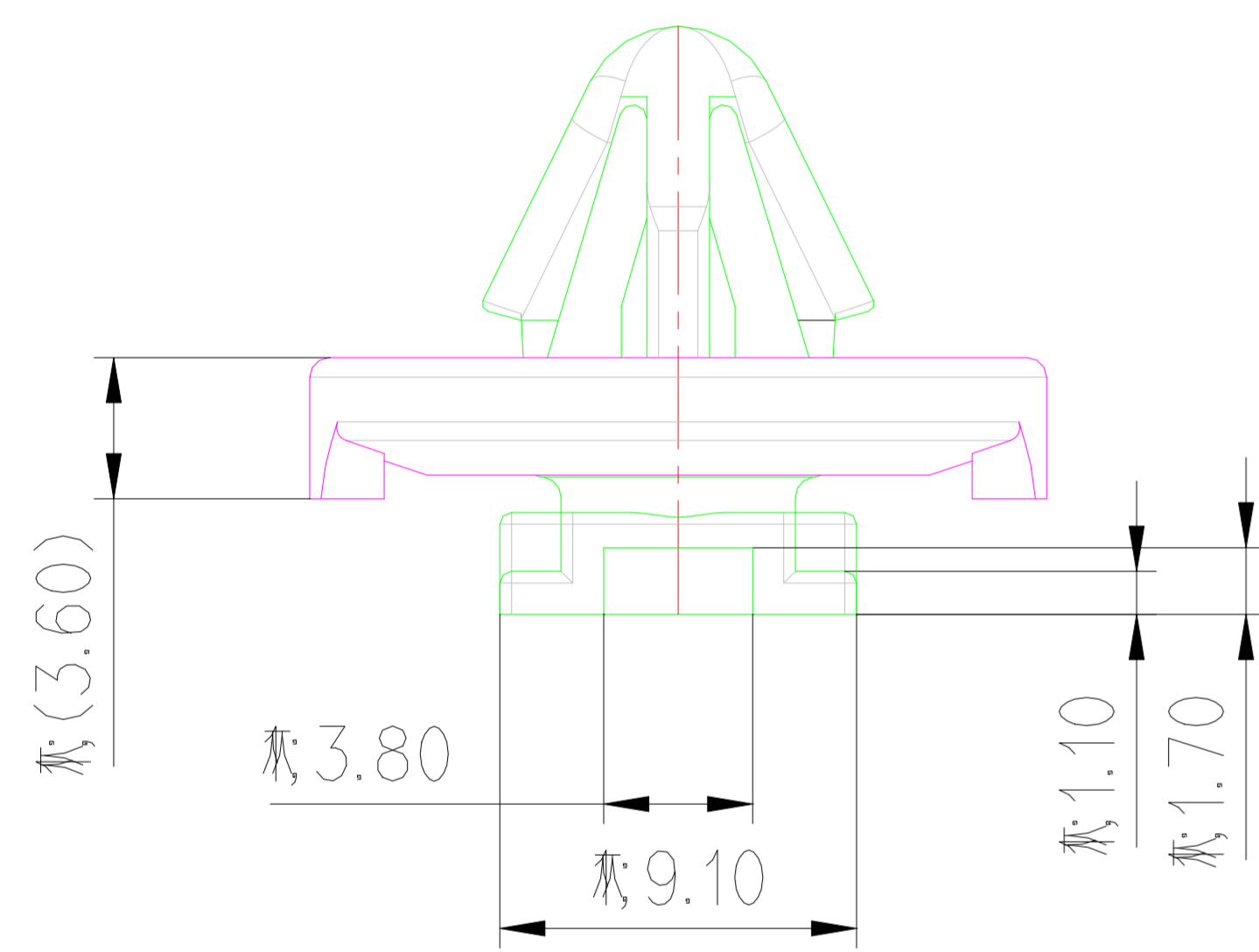


GENERAL TOLERANCE (HOUSING)							USED ON
10MAX	50MAX	100MAX	250MAX	250VR	ANGLE	ECCENT	
±0.2	±0.3	±0.55	±0.95	±1.4	±30'	0.1	

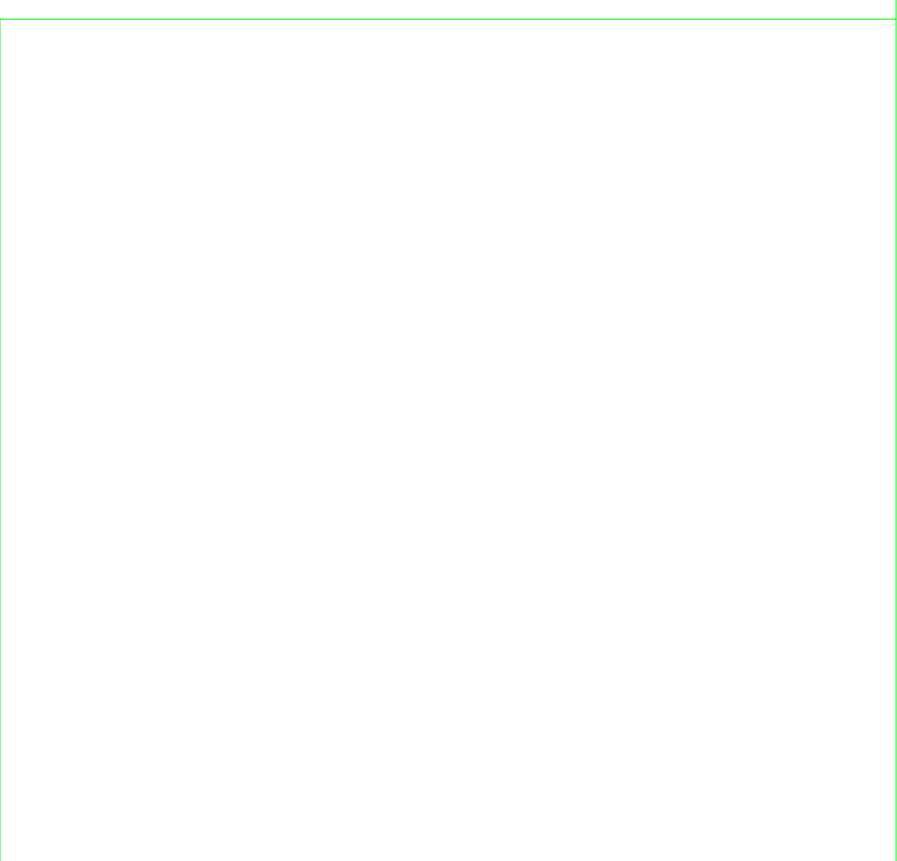


NOTE

1. APPLICABLE HOUSING : SWP CONNECTOR
2. APPLICABLE PANEL : $\phi 7.0 \times 3.0$, THICKNESS : 0.7-1.6 mm
3. ETCHING TYPE: KDP-6A
4. 6 HAZARDOUS SUBSTANCES IN PARTS (LEAD, MERCURY, CADMIUM, HEXAVALENT CHROMIUM, PBBs, PBDEs) SHALL NOT EXCEED THE MAXIMUM PERMISSIBLE CONCENTRATION PRESCRIBED UNDER EU ELV DIRECTIVE & RoHS REGULATION.

주 기

1. 적용 HOUSING : SWP CONNECTOR
2. 적용 PANEL : $\phi 7.0 \times 3.0$, 두께 : 0.7-1.6 mm
3. 부식사양: KDP-6A
4. 제품내 함유된 6대 유해물질 (납,수은,카드뮴,6가크롬, PBBs,PBDEs)은 EU ELV 지침 및 RoHS 법규에서 지정한 최대 허용 농도를 초과해서는 안된다.



ISSUE MARK

NO.	PART NO.	DIE No.	PART NAME	MATERIAL	FINISH
1	MG674129	22197	SWP WP CLIP HOUSING	NYLON66 (103HSL)	NATURAL
2	R602159	-	SWP WP CLIP SEAL	SILICONE (경도40)	RED

				MATERIAL	SEE TABLE	KOREA ELECTRIC TERMINAL CO., LTD.							
				FINISH	SEE TABLE								
				WIRE RANGE		CLASS							
				INSULATION		TYPE							
LTR	REVISION RECORD			DR.	CHK.	APP.	DATE	TOLERANCE EXCEPT AS NOTED	SEE TABLE	SCALE	2/1	PART NO.	MG664128
DR.	CDH	08.06.17	CHK.					PART NAME	SWP WP CLIP ASS'Y				
CHK.				APP.									