

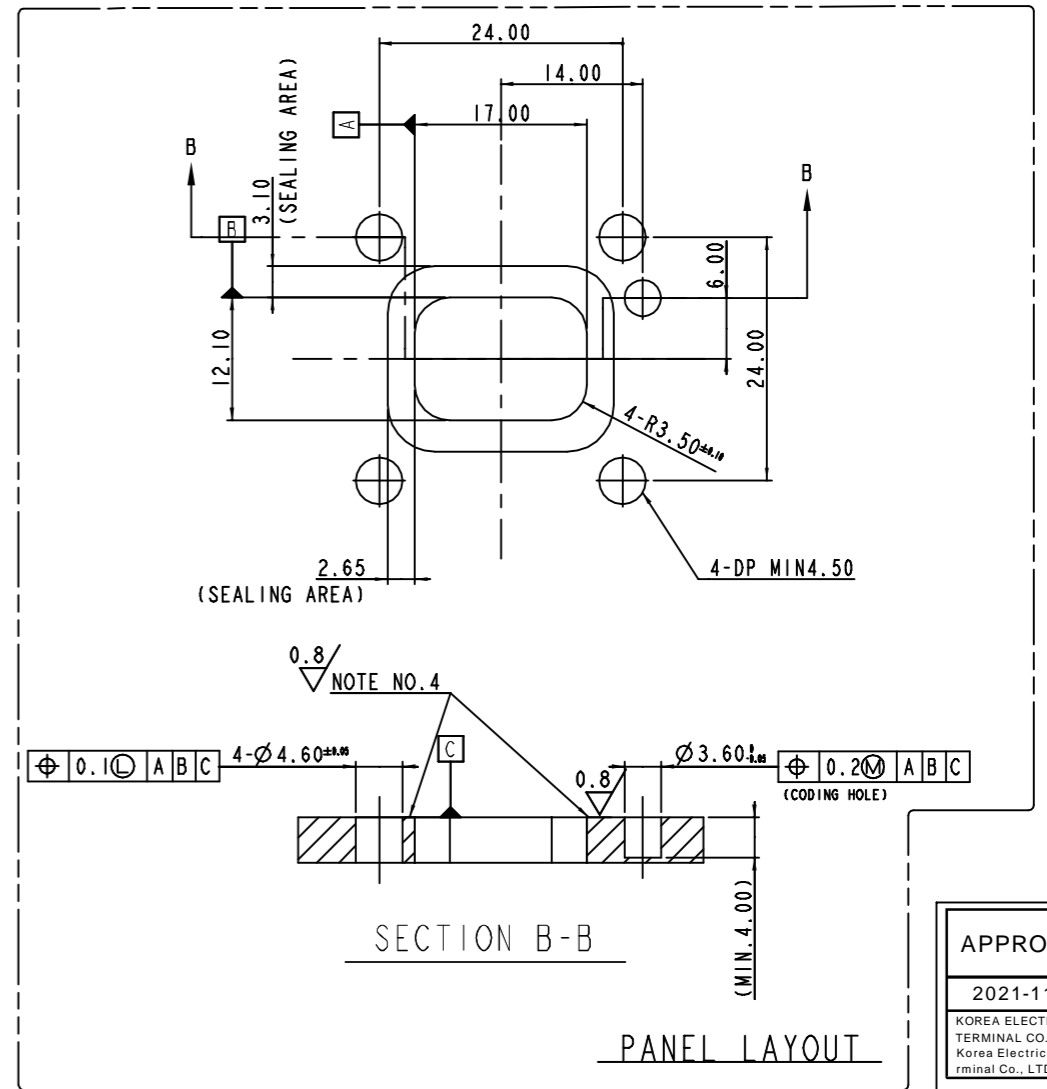
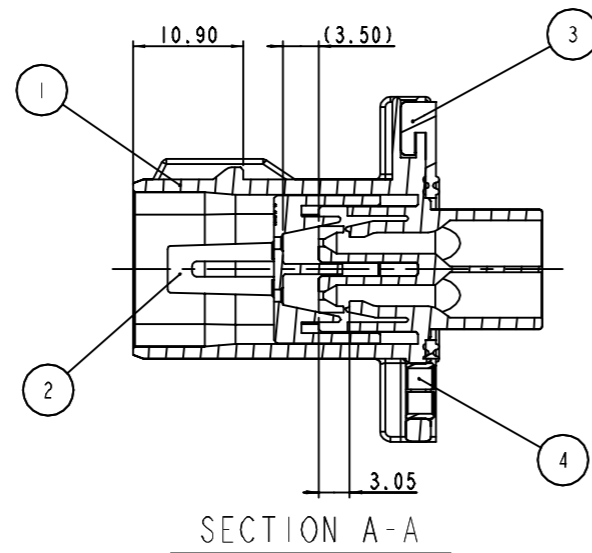
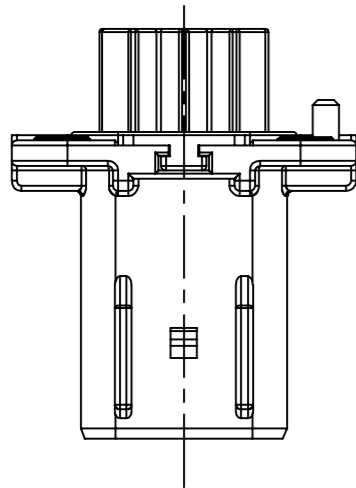
NO.	PART NO.	PART NAME	MATERIAL	FINISH
1	MG677618-5	N060 WP 6M ASSY(EV COMP)	PBT	BLACK
2	MG675649	N060 WP 6M FRONT HOLDER	PBT	NATURAL
3	R603898	N060 WP 6M GASKET SEAL	SILICON	RED
4	R602431	HVSC 20A 2M DEVICE BUSH	SUS304	-

NO.	MATERIAL	COLOR
0	PBT+GF15	NATURAL
1		RED
2		BLUE
20		JADE
3		YELLOW
4		GRAY
40		DARK GRAY
41		LIGHT GRAY
* 5		BLACK
6		DARK GREEN
7		BROWN
8	LIGHT GREEN	
9	MAGENTA	
11	ORANGE	

GENERAL TOLERANCE (HOUSING)										USED ON
10 MAX	30 MAX	50 MAX	70 MAX	100 MAX	120 MAX	250 MAX	250 VR	ANGLE	ECCENT	
±0.15	±0.2	±0.3	±0.4	±0.5	±0.75	±0.9	±1.4	±30'	0.1	

- 주
 1. 기능상 유해한 BURR 및 WELDLINE 등이 없을 것.
 2. 적용 TERMINAL : ST741341-3, ST741342-3
 적용 DUMMY SEAL : MG685502
 3. 상대 CONNECTOR : MG645579
 4. 보호막 표면은 깨끗하고 코팅되지 않은 상태를 유지해야 한다.
 5. 제품내 함유된 6대 유해물질 (납, 수은, 카드뮴, 6가크롬, PBBs, PBDEs)은 EU ELV 지침 및 RoHS 법규에서 지정한 최대 허용 농도를 초과해서는 안된다.

- NOTE
 1. MUST BE FREE OF FLASH, WELDLINE AND IMPERFECTION THAT AFFECT FUNCTION.
 2. APPLICABLE TERMINAL : ST741341-3, ST741342-3
 APPLICABLE DUMMY SEAL : MG685502
 3. MATCHING CONNECTOR : MG645579
 4. THE SURFACE OF SHIELD SHOULD BE MAINTAIN THE CONDITION OF CLEAN AND UNCOATED
 5. 6 HAZARDOUS SUBSTANCES IN PARTS (LEAD, MERCURY, CADMIUM, HEXAVALENT CHROMIUM, PBBs, PBDEs) SHALL NOT EXCEED THE MAXIMUM PERMISSIBLE CONCENTRATION PRESCRIBED UNDER EU ELV DIRECTIVE & RoHS REGULATION.



APPROVED
 2021-11-01
 KOREA ELECTRIC
 TERMINAL CO., LTD.
 Korea Electric Terminal Co., LTD.

ISSUE MARK

MATERIAL	SEE TABLE	KET KOREA ELECTRIC TERMINAL CO., LTD.
FINISH	SEE TABLE	
WIRE RANGE	-	CLASS N060
INSULATION	-	TYPE WP
LTR	REVISION RECORD	DR. CHK. APP. DATE
DR. NGS 2020.02.24	CHK.	-
CHK. AJH 2020.02.24	APP. CMS 2020.02.24	
SCALE	2/1	PART NO. MG657135
PART NAME	N060 WP 6M ASSY(EV COMP)	