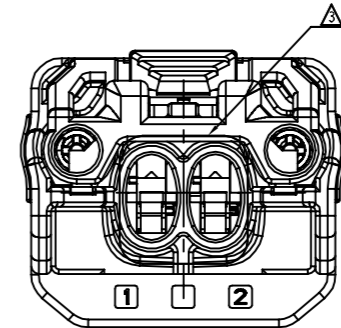


GENERAL TOLERANCE (HOUSING)										USED ON
10 MAX	30 MAX	50 MAX	70 MAX	100 MAX	120 MAX	250 MAX	250 VR	ANGLE	ECCENT	
±0.15	±0.2	±0.3	±0.4	±0.5	±0.75	±0.9	±1.4	±30'	0.1	

- 주
 1. 기능상 유해한 BURR 및 WELDLINE 등이 없을 것.
 2. 적용 TERMINAL : ST731488-G, △ST731488-3
 3. 제품내 함유된 6대 유해물질 (납, 수은, 카드뮴, 6가크롬, PBBs, PBDEs)은 EU ELV 지침 및 RoHS 법규에서 지정한 최대 허용 농도를 초과해서는 안된다.

- NOTE
 1. MUST BE FREE OF BURR, WELDLINE AND IMPERFECTION THAT AFFECT FUNCTION.
 2. APPLICABLE TERMINAL : ST731488-G, △ST731488-3
 3. 6 HAZARDOUS SUBSTANCES IN PARTS (LEAD, MERCURY, CADMIUM, HEXAVALENT CHROMIUM, PBBs, PBDEs) SHALL NOT EXCEED THE MAXIMUM PERMISSIBLE CONCENTRATION PRESCRIBED UNDER EU ELV DIRECTIVE & RoHS REGULATION.



APPROVED
 2021-10-21
 KOREA ELECTRIC
 TERMINAL CO., LTD.
 Korea Electric Te
 rminial Co., LTD.

ISSUE MARK

ECO-2106-274 근거 도면 재작성	STJ	ESC	HYJ	21.06.28	MATERIAL	SEE TABLE	KET KOREA ELECTRIC TERMINAL CO., LTD.
ECO-2002-223 근거 도면 변경 CODE4, CODE8 추가	HGS	AJH	CMS	20.02.14	FINISH	SEE TABLE	
ECO-1903-443 근거 도면 변경 CODE3 추가	KTK	AJH	CMS	19.04.03	WIRE RANGE	-	CLASS AIRBAG
일부 사양 변경-제출 ECO-1913-938 근거 도면 변경	YSS	NDH	CMS	19.03.05	INSULATION	-	TYPE WP
LTR REVISION RECORD	DR.	CHK.	APP.	DATE	TOLERANCE LIMIT AS SHOWN	SEE TABLE	SCALE 3/1
DR. YJK 2017. 4. 18		CHK.			PART NO.	SEE TABLE	
CHK. SSH 2017. 4. 18		APP.	LJE	2017. 4. 18	PART NAME	KN AIRBAG WP 2F ASSY	