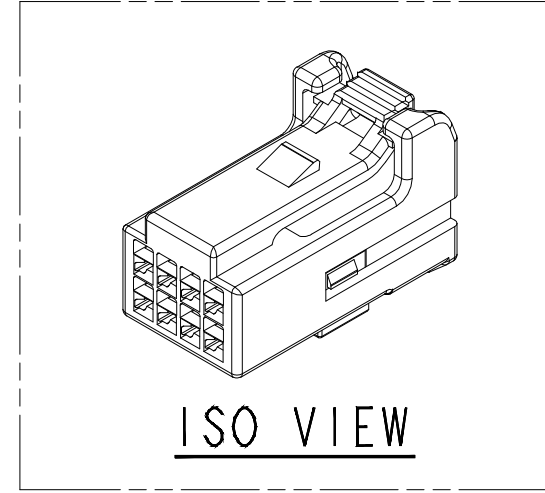
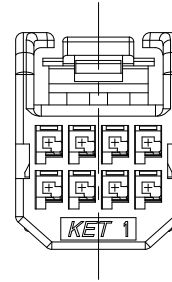
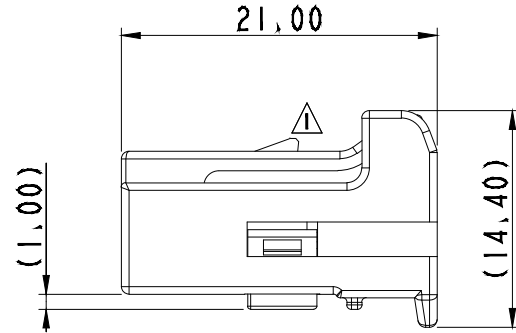
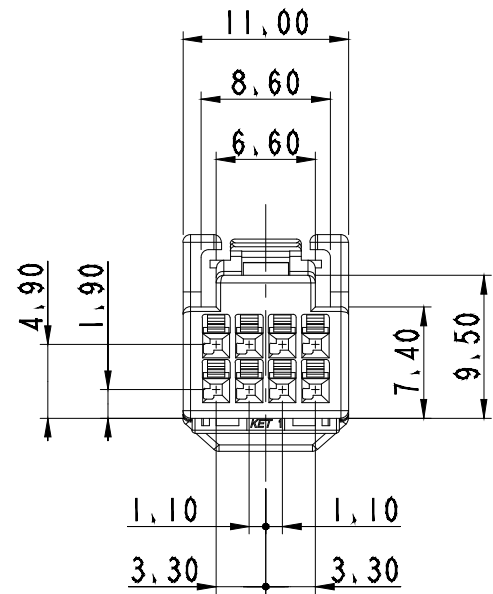
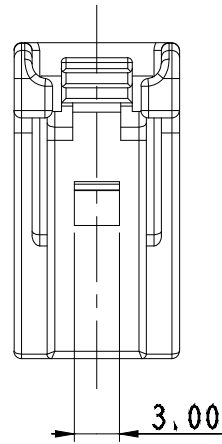


GENERAL TOLERANCE (HOUSING)

|        |        |        |        |         |         |         |       |       |         |
|--------|--------|--------|--------|---------|---------|---------|-------|-------|---------|
| 10 MAX | 30 MAX | 50 MAX | 70 MAX | 100 MAX | 120 MAX | 250 MAX | 250VR | ANGLE | USED ON |
| ±0.15  | ±0.20  | ±0.30  | ±0.40  | ±0.50   | ±0.75   | ±0.90   | ±1.4  | ±30'  |         |



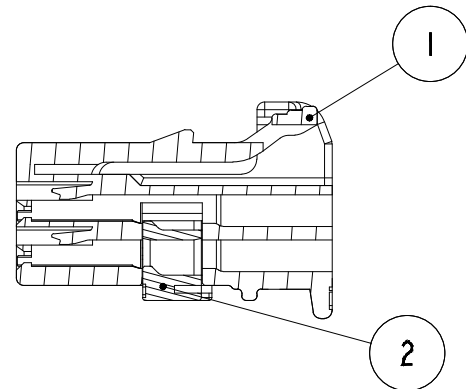
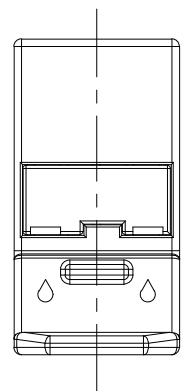
| NO. | MATERIAL    | COLOR      |
|-----|-------------|------------|
| 0   | P B T       | NATURAL    |
| 1   |             | RED        |
| 2   |             | BLUE       |
| 20  |             | JADE       |
| 3   |             | YELLOW     |
| 4   |             | GRAY       |
| 40  |             | DARK GRAY  |
| 41  |             | LIGHT GRAY |
| 5   |             | BLACK      |
| 6   |             | GREEN      |
| 7   |             | BROWN      |
| 8   | LIGHT GREEN |            |
| 9   | MAGENTA     |            |
| 11  | ORANGE      |            |

주 기

- 기능상 유해한 BURR 및 WELDLINE 등이 없을 것.
- 적용 TERMINAL ; ST731374-3, ST731375-3(02511)
- 적용 HOUSING ; MG645716, MG645586, MG646041
- SPACER는 본 도면과 같이 1차 LOCK'G 상태로 유지, 공급될 것.
- 제품내 함유된 6대 유해물질 (납,수은,카드뮴,6가크롬,PBBs,PBDEs)은 EU ELV 지침 및 RoHS 법규에서 지정한 최대 허용 농도를 초과해서는 안된다.

NOTE

- MUST BE FREE OF BURR, WELDLINE AND IMPERFECTION THAT AFFECT FUNCTION
- APPLICABLE TRMINAL ; ST731374-3, ST731375-3(02511)
- APPLICABLE HOUSING ; MG645716, MG645586, MG646041
- THE MOLD DRAWING IN THE SAME WAY, SPACER IS NORMAL CONDITION MAINTANANCE AND SUPPLY WITH FIRST LOCKING.
- 6 HAZARDOUS SUBSTANCES IN PARTS (LEAD, MERCURY, CADMIUM, HEXAVALENT CHROMIUM, PBBs, PBDEs) SHALL NOT EXCEED THE MAXIMUM PERMISSIBLE CONCENTRATION PRESCRIBED UNDER EU ELV DIRECTIVE & RoHS REGULATION.



SECTION A-A

| NO. | PART NAME                    | PART NO.   | MATERIAL  | COLOR   | QTY |
|-----|------------------------------|------------|-----------|---------|-----|
| 1   | 02511 8F HOUSING(2.20 PITCH) | MG677058   | SEE TABLE | NATURAL | 1   |
| 2   | 02511 8F SPACER(2.20 PITCH)  | MG677059-3 |           | YELLOW  | 1   |

APPROVED

2019-11-05

KOREA ELECTRIC  
TERMINAL CO., LTD.  
Korea Electric Te  
rminal Co., LTD.

ISSUE MARK

|            |                        |                          |                                      |
|------------|------------------------|--------------------------|--------------------------------------|
| MATERIAL   | SEE TABLE              | <b>KET</b><br>ENGINEERED | KOREA ELECTRIC<br>TERMINAL CO., LTD. |
| FINISH     | SEE TABLE              |                          |                                      |
| WIRE RANGE |                        | CLASS                    | 02511                                |
| INSULATION |                        | TYPE                     | 비방수                                  |
| LTR        | ECO-1801-266 근거 도면 제작성 | DR, CHK, APP, DATE       | TOLERANCE<br>EXCEPT<br>AS NOTED      |
| DR,        | KJS 2017.12.07         | CHK, KMH 2017.12.11      | SCALE<br>2/1                         |
| CHK,       |                        | APP, SSH 2017.12.11      | PART NO.                             |
|            |                        | PART_NAME                | 02511 8F ASSY(2.20 PITCH)            |