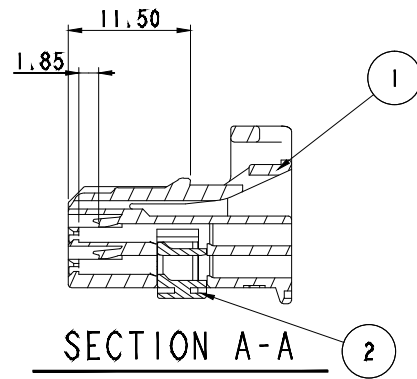
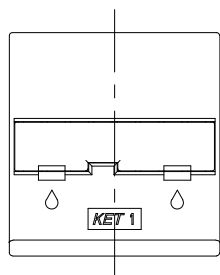
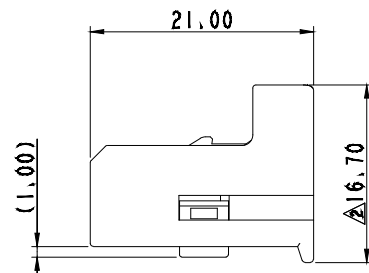
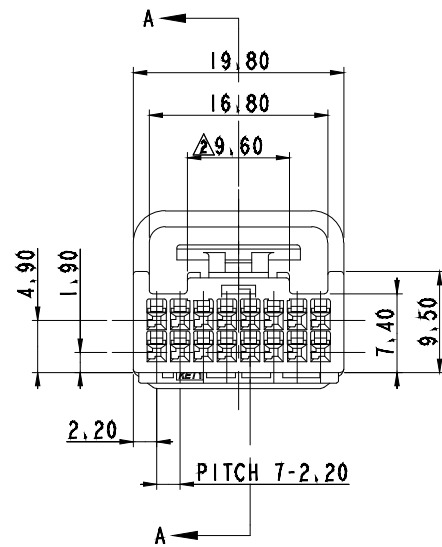
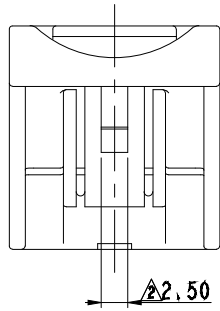


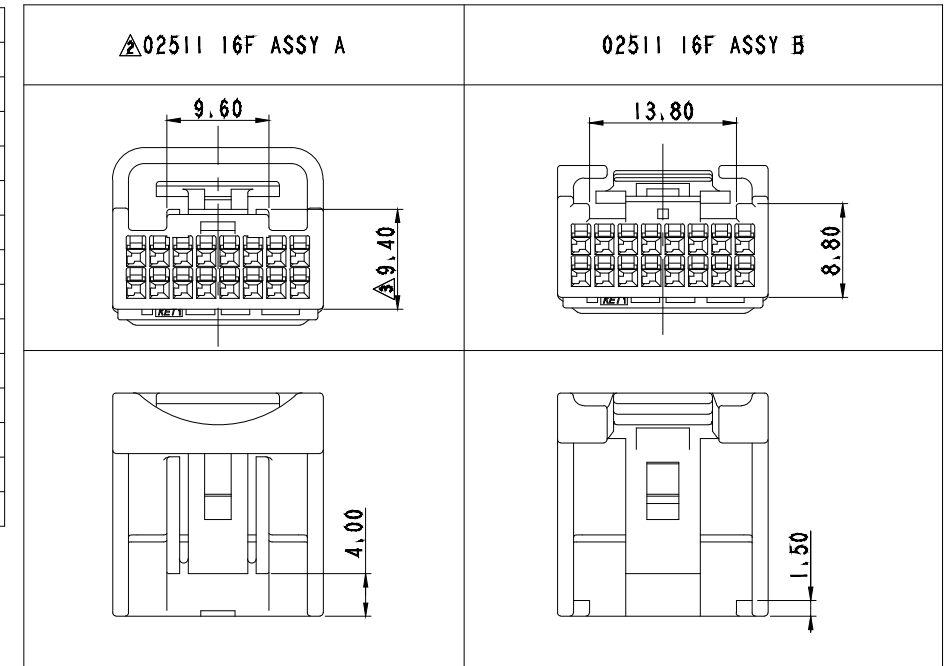
ISO VIEW



SECTION A-A

GENERAL TOLERANCE (HOUSING)									USED ON
10 MAX	30 MAX	50 MAX	70 MAX	100 MAX	120 MAX	250 MAX	250 VR	ANGLE	
±0.15	±0.20	±0.30	±0.40	±0.50	±0.75	±0.90	±1.40	±30'	

NO.	MATERIAL	COLOR
0	P B T	NATURAL
1		RED
2		BLUE
20		JADE
3		YELLOW
4		GRAY
40		DARK GRAY
41		LIGHT GRAY
* 5		BLACK
6		DARK GREEN
* 7		BROWN
8		LIGHT GREEN
9		MAGENTA
11		ORANGE



- 주
 1. 기능상 유해한 BURR 및 WELDLINE 등이 없을 것,
 2. 적용 TERMINAL (02511) : ST731374, 1375
 3. 상대품 CONNT : A TYPE : MG645738-5, B TYPE : MG646069-7
 4. SPACER는 본 도면과 같이 1차 LOCK 'G' 상태로 유지, 공급될 것
 5. 저온내 함유된 6대 유해물질 (납, 수은, 카드뮴, 6가크롬, PBBs, PBDEs)은 EU ELV 지침 및 RoHS 법규에서 지정한 최대 허용 농도를 초과해서는 안된다.

- NOTE
 1. MUST BE FREE OF BURR, WELDLINE AND IMPERFECTION THAT AFFECT FUNCTION.
 2. APPLICABLE TERMINAL (02511) : ST731374, 1375
 3. APPLICABLE CONNT : A TYPE : MG645738-5, B TYPE : MG646069-7
 4. THE MOLD DRAWING IN THE SAME WAY, SPACER IS NORMAL CONDITION MAINTANANCE AND SUPPLY WITH THIS LOCKING.
 5. 6 HAZARDOUS SUBSTANCES IN PARTS (LEAD, MERCURY, CADMIUM, HEXAVALENT CHROMIUM, PBBs, PBDEs) SHALL NOT EXCEED THE MAXIMUM PERMISSIBLE CONCENTRATION PRESCRIBED UNDER EU ELV DIRECTIVE & RoHS REGULATION.

APPROVED
 2019-11-06
 KOREA ELECTRIC
 TERMINAL CO., LTD.
 Korea Electric Terminal Co., LTD.

No	ASSY No	COMPONENT					
		No	PART NAME	PART No	METERIAL	FINISH	QTY.
1	MG656934-5	1	02511 16F HOUSING A	MG676957-5	SEE TABLE	SEE TABLE	1
		2	02511 16F SPACER	MG676959-3		YELLOW	1
2	MG656934	1	02511 16F HOUSING A	MG676957	SEE TABLE	SEE TABLE	1
		2	02511 16F SPACER	MG676959-3		YELLOW	1
3	MG656939-7	1	02511 16F HOUSING B	MG676958-7	SEE TABLE	SEE TABLE	1
		2	02511 16F SPACER	MG676959-3		YELLOW	1

MATERIAL		SEE TABLE	KOREA ELECTRIC TERMINAL CO., LTD.
FINISH		SEE TABLE	
WIRE RANGE		CLASS	02511
INSULATION		TYPE	비병수
LTR	REVISION RECORD	DR, CHK, APP, DATE	PART NO. SEE TABLE
DR, SSY 2017, 05, 22	CHK,		SCALE 2/1
CHK, SSY 2017, 05, 22	APP, LJE 2017, 05, 22	PART-NAME	02511 16F ASSY