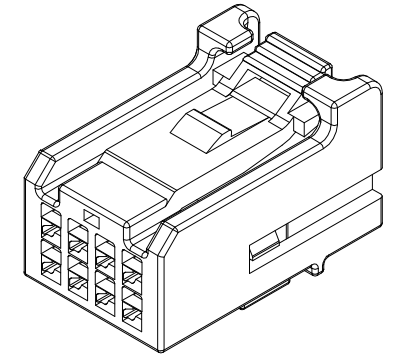


NO	PART NAME	PART NO	MATERIAL	FINISH	QTY
1	02511 8F HOUSING	MG676888	SEE TABLE	NATURAL	1
2	02511 8F SPACER	MG676889-3		YELLOW	1

GENERAL TOLERANCE (HOUSING)

10 MAX	30 MAX	50 MAX	70 MAX	100 MAX	120 MAX	250 MAX	250VR	ANGLE	USED ON
±0.15	±0.20	±0.30	±0.40	±0.50	±0.75	±0.90	±1.4	±30'	

NO.	MATERIAL	COLOR
* 0	P B T	NATURAL
1		RED
2		BLUE
20		JADE
3		YELLOW
4		GRAY
40		DARK GRAY
41		LIGHT GRAY
5		BLACK
6		DARK GREEN
7		BROWN
8	LIGHT GREEN	
9	MAGENTA	
11	ORANGE	



ISO VIEW

주 기

1. 기능상 유해한 BURR 및 WELDLINE 등이 없을 것,
2. 적용 TERMINAL (02511) ; ST731374, 1375
3. 상대물 HOUSING ; MG646101
4. SPACER는 본 도면과 같이 1차 LOCK'G 상태로 유지,공급될 것
5. 제품내 함유된 6대 유해물질 (납,수은,카드뮴,6가크롬, PBBs, PBDEs)은 EU ELV 지침 및 RoHS 법규에서 지정한 최대 허용 농도를 초과해서는 안된다,

NOTE

1. MUST BE FREE OF BURR, WELDLINE AND IMPERFECTION THAT AFFECT FUNCTION.
2. APPLICABLE TERMINAL (02511) ; ST731374, 1375
3. APPLICABLE HOUSING ; MG646101
4. THE MOLD DRAWING IN THE SAME WAY, SPACER IS NORMAL CONDITION MAINTANANCE AND SUPPLY WITH FIRST LOCKING.
5. 6 HAZARDOUS SUBSTANCES IN PARTS (LEAD, MERCURY, CADMIUM, HEXAVALENT CHROMIUM, PBBs, PBDEs) SHALL NOT EXCEED THE MAXIMUM PERMISSIBLE CONCENTRATION PRESCRIBED UNDER EU ELV DIRECTIVE & RoHS REGULATION.

APPROVED

2019-11-05

KOREA ELECTRIC
TERMINAL CO., LTD.
Korea Electric Te
rminal Co., LTD.

ISSUE MARK

				MATERIAL	SEE TABLE	KET ENGINEERED	KOREA ELECTRIC TERMINAL CO., LTD.
				FINISH	SEE TABLE		
				WIRE RANGE	-	CLASS	025
				INSULATION	-	TYPE	비방수
LTR	REVISION RECORD	DR, CHK, APP, DATE	TOLERANCE EXCEPT AS NOTED	SEE TABLE	SCALE 2/1	PART NO.	MG656930
	DR, PJH 2017, 02, 14	CHK,				PART_NAME	02511 8F ASSY
	CHK,	APP, SSH 2017, 02, 17					