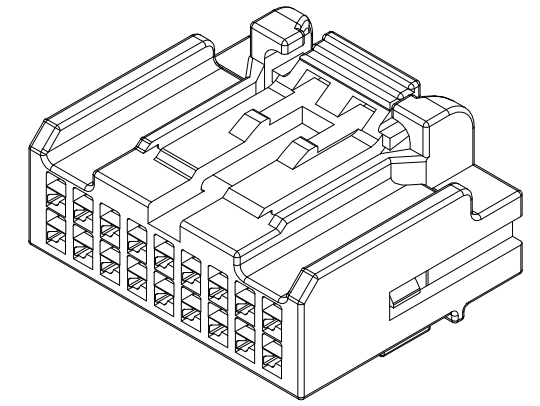


| NO | PART NAME | △PART NO | MATERIAL | FINISH | QTY |
|----|-------------------|------------|-----------|---------|-----|
| 1 | 02511 18F HOUSING | MG676885 | SEE TABLE | NATURAL | 1 |
| 2 | 02511 18F SPACER | MG676886-3 | | YELLOW | 1 |

GENERAL TOLERANCE (HOUSING)

| 10 MAX | 30 MAX | 50 MAX | 70 MAX | 100 MAX | 120 MAX | 250 MAX | 250VR | ANGLE | USED ON |
|--------|--------|--------|--------|---------|---------|---------|-------|-------|---------|
| ±0,15 | ±0,20 | ±0,30 | ±0,40 | ±0,50 | ±0,75 | ±0,90 | ±1,4 | ±30' | |

| NO. | MATERIAL | COLOR |
|-----|-------------|------------|
| 0 | P B T | NATURAL |
| 1 | | RED |
| 2 | | BLUE |
| 20 | | JADE |
| 3 | | YELLOW |
| 4 | | GRAY |
| 40 | | DARK GRAY |
| 41 | | LIGHT GRAY |
| 5 | | BLACK |
| 6 | | DARK GREEN |
| 7 | | BROWN |
| 8 | LIGHT GREEN | |
| 9 | MAGENTA | |
| 11 | ORANGE | |



ISO VIEW

주 기

1. 기능상 유해한 BURR 및 WELDLINE 등이 없을 것,
2. 적용 TERMINAL (02511) ; ST731374,1375
3. 상대물 HOUSING ; MG646100
4. SPACER는 본 도면과 같이 1차 LOCK'G 상태로 유지,공급될 것
5. 제품내 함유된 6대 유해물질 (납,수은,카드뮴,6가크롬, PBBs, PBDEs)은 EU ELV 지침 및 RoHS 법규에서 지정한 최대 허용 농도를 초과해서는 안된다.

NOTE

1. MUST BE FREE OF BURR, WELDLINE AND IMPERFECTION THAT AFFECT FUNCTION.
2. APPLICABLE TERMINAL (02511) ; ST731374,1375
3. APPLICABLE HOUSING ; MG646100
4. THE MOLD DRAWING IN THE SAME WAY, SPACER IS NORMAL CONDITION MAINTANANCE AND SUPPLY WITH FIRST LOCKING.
5. 6 HAZARDOUS SUBSTANCES IN PARTS (LEAD, MERCURY, CADMIUM, HEXAVALENT CHROMIUM, PBBs, PBDEs) SHALL NOT EXCEED THE MAXIMUM PERMISSIBLE CONCENTRATION PRESCRIBED UNDER EU ELV DIRECTIVE & RoHS REGULATION.

APPROVED

2019-11-06

KOREA ELECTRIC
TERMINAL CO., LTD.
Korea Electric Te
rminal Co., LTD.

ISSUE MARK

| | | | | | | | |
|-----|----------------------|------|------|------------|-----------------------|--------------------------|--------------------------------------|
| | | | | MATERIAL | SEE TABLE | KET ENGINEERED | KOREA ELECTRIC TERMINAL CO., LTD. |
| | | | | FINISH | SEE TABLE | | |
| | | | | WIRE RANGE | - | | |
| | | | | INSULATION | - | TYPE | 비방수 |
| △ | ECO-1609-045 근거도면변경 | YJK | SSH | 17.08.06 | | PART NO. | MG656929 |
| LTR | REVISION RECORD | DR. | CHK. | APP. | DATE | SCALE | 2/1 |
| | DR. PJH 2017, 02, 14 | CHK. | | | | PART_NAME | 02511 18F ASSY |
| | CHK. | | | | APP. SSH 2017, 02, 17 | | |