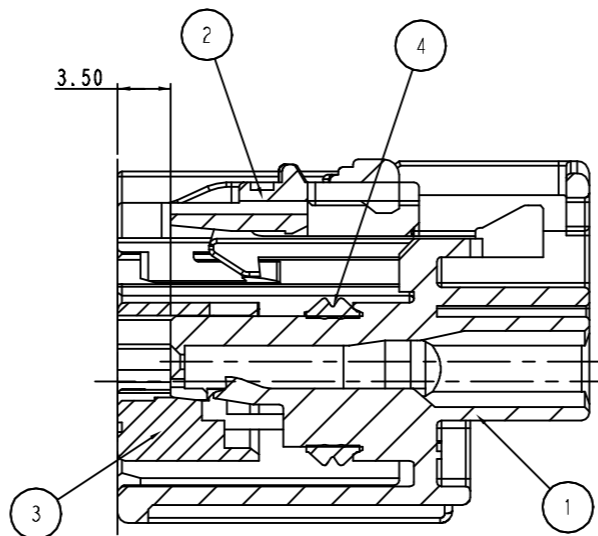
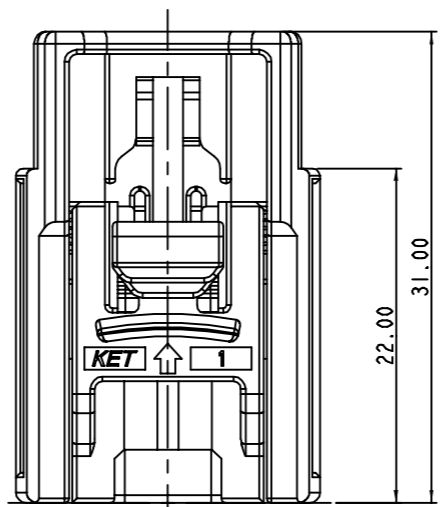
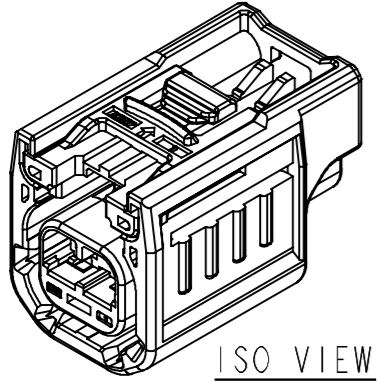
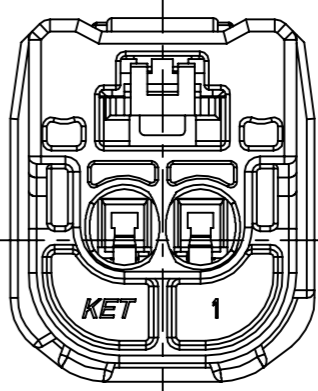
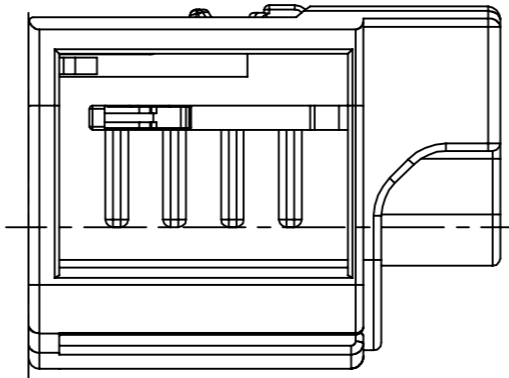
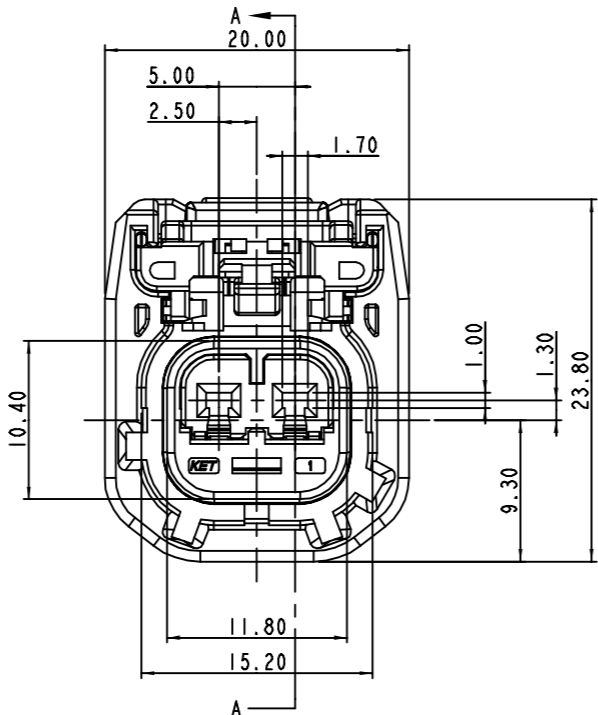
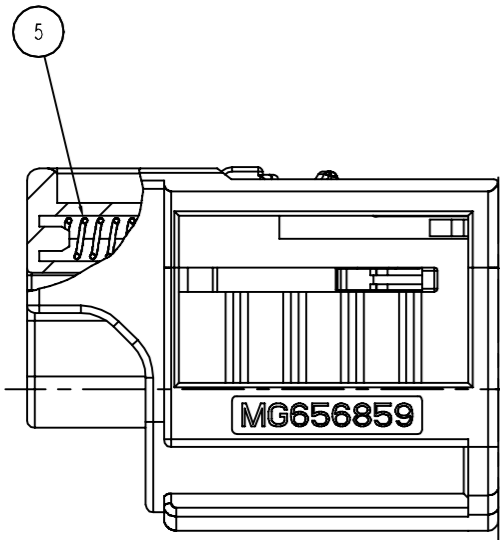


CUSTOMER DRAWING PART NO. MG656859



SECTION A-A



NO.	MATERIAL	COLOR
0		NATURAL
1	HPA - LG2M	RED
* 2		BLUE
20		JADE
* 3		YELLOW
4		GRAY
40		DARK GRAY
41		LIGHT GRAY
5		BLACK
6		DARK GREEN
7		BROWN
8		LIGHT GREEN
9		MAGENTA
11		ORANGE

GENERAL TOLERANCE (HOUSING)							USED ON
10 MAX	50 MAX	100 MAX	250 MAX	250 VR	ANGLE	ECCENT	
±0.2	±0.3	±0.55	±0.95	±1.4	±30'	0.1	

- NOTE
- UNLESS OTHERWISE SPECIFIED ALL RADIUS TO BE 0.3 RADIUS.
  - UNLESS OTHERWISE SPECIFIED ALL CHAMFERS TO BE 0.3 CHAMFER.
  - MUST BE FREE OF FLASH, WELDLINE AND IMPERFECTION THAT AFFECT FUNCTION.
  - APPLICABLE TERMINAL : ST731274-G, ΔST731274-3

TERMINAL NO.	APPLICABLE TAP THICKNESS[mm]	TERMINAL SPEC. FINISH	ENGAGE AND DISENGAGE FORCE BETWEEN TERMINALS[kgf]
ST731274-G	0.82±0.03	GOLD	MAX 0.80
ST731274-3	0.82±0.03	PRE-TIN	MAX 1.20

- HAZARDOUS SUBSTANCES IN PARTS (LEAD, MERCURY, CADMIUM, HEXAVALENT CHROMIUM, PBBs, PBDEs) SHALL NOT EXCEED THE MAXIMUM PERMISSIBLE CONCENTRATION PRESCRIBED UNDER EU ELV DIRECTIVE & RoHS REGULATION.

- 주 기
- 지시하지 않은 반경 R은 0.3로 한다.
  - 지시하지 않은 모따기 C는 0.3으로 한다.
  - 기능상 유해한 BURR 및 WELDLINE 등이 없을 것.
  - 적용 TERMINAL : ST731274-G, ΔST731274-3

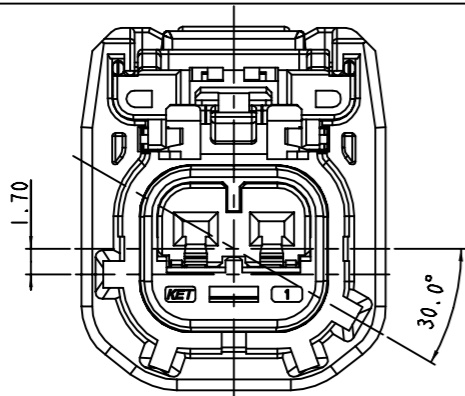
TERMINAL NO.	적용 TAP 두께[mm]	TERMINAL 사양 도금	단자간 삽입력[kgf]
ST731274-G	0.82±0.03	GOLD	MAX 0.80
ST731274-3	0.82±0.03	PRE-TIN	MAX 1.20

- 제품내 함유된 6대 유해물질 (납, 수은, 카드뮴, 6가크롬, PBBs, PBDEs) 은 EU ELV 지침 및 RoHS 법규에서 지정한 최대 허용 농도를 초과해서 는 안된다.

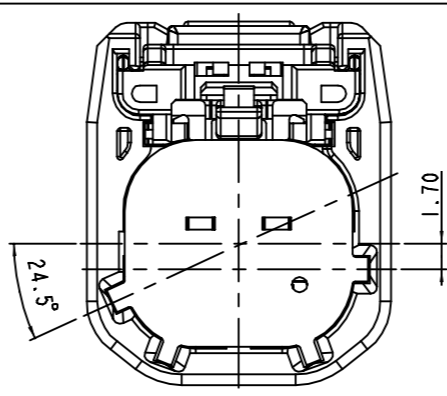
APPROVED  
2021-11-03  
KOREA ELECTRIC TERMINAL CO., LTD.  
Korea Electric Terminal Co., LTD.

ISSUE MARK

AIRBAG 060 WP 2F ASSY (A) [MG656859]



AIRBAG 060 WP 2F ASSY (B) [657038-2]



NO	PART NO.	PART NAME	MATERIAL	FINISH	Q'TY
1	MG676630	AIRBAG 060 WP 2F HOUSING (A)	HPA	YELLOW	1
2	MG676631	AIRBAG 060 WP 2F SLIDE LEVER	POM	GRAY	1
3	MG676632	AIRBAG 060 WP 2F FRONT HOLDER	POM	GRAY	1
4	R603430	AIRBAG 060 WP 2F INNER-SEAL	SILICONE	RED	1
5	R603431	AIRBAG 060 WP 2F SPRING	SUS	-	2

NO	PART NO.	PART NAME	MATERIAL	FINISH	Q'TY
1	MG677274-2	AIRBAG 060 WP 2F HOUSING (B)	HPA	BLUE	1
2	MG676631	AIRBAG 060 WP 2F SLIDE LEVER	POM	GRAY	1
3	MG676632	AIRBAG 060 WP 2F FRONT HOLDER	POM	GRAY	1
4	R603430	AIRBAG 060 WP 2F INNER-SEAL	SILICONE	RED	1
5	R603431	AIRBAG 060 WP 2F SPRING	SUS	-	2

ECO-2110-282 근거 도면 재작성	DR.	CHK.	APP.	DATE	MATERIAL	SEE TABLE	KETA KOREA ELECTRIC TERMINAL CO., LTD.	
ECO-2103-222 근거 도면 재작성	DR.	CHK.	APP.	DATE	FINISH	SEE TABLE		
도면 이력(개발 발안)	DR.	CHK.	APP.	DATE	WIRE RANGE	SEE NOTE	CLASS	SEE NOTE
REVISION RECORD	DR.	CHK.	APP.	DATE	INSULATION	SEE NOTE	TYPE	060
SYLEE '16.02.26	CHK.	KMH '16.02.26	APP.	BIN '16.02.26	SCALE	3/1	PART NO.	MG656859
CHK.	APP.	BIN	DATE		PART NAME	AIRBAG 060 WP 2F ASSY		

DIMENSIONS (IN MM)