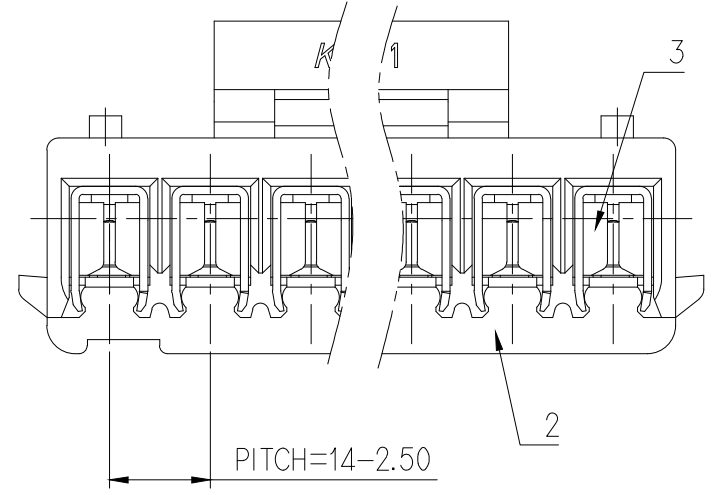


GENERAL TOLERANCE (HOUSING)							USED ON
5MAX	10MAX	20MAX	45MAX	45VR	ANGLE	ECCENT	
±0.15	±0.2	±0.25	±0.3	±0.5	±30'	0.1	

- 주 기
1. 지시하지 않은 반경 R은 0.2-0.3로 한다.
 2. 기능상 유해한 BURR 및 WELDLINE 없을 것.
 3. 제품내 함유된 6대 유해물질 (납,수은,카드뮴,6가크롬, PBBs,PBDEs)은 EU ELV 지침 및 RoHS 법규에서 지정한 최대 허용 농도를 초과해서는 안된다.
 4. ◆: 중요관리치수

- NOTE
1. UNLESS OTHERWISE SPECIFIED ALL RADIUS TO BE 0.2-0.3 RADIUS.
 2. MUST BE FREE OF BURR, WELDLINE AND IMPERFECTION THAT AFFECT FUNCTION.
 3. 6 HAZARDOUS SUBSTANCES IN PARTS (LEAD, MERCURY, CADMIUM, HEXAVALENT CHROMIUM, PBBs, PBDEs) SHALL NOT EXCEED THE MAXIMUM PERMISSIBLE CONCENTRATION PRESCRIBED UNDER EU ELV DIRECTIVE & RoHS REGULATION.
 4. ◆: Important Management Point

NO.	MATERIAL	COLOR
* 0	PET+PC (G.W.I.T)	NATURAL
* 1		RED
* 2		BLUE
* 3		YELLOW
* 5		BLACK



△ PART NO. *표시는 COLOR 명기 임.

NO.	PART NAME	PART NO.	MATERIAL	FINISH	Q'TY
1	2.5 IDC 15F ASS'Y	MG656847-*15	-	-	1
2	2.5 IDC 15F HS'G	MG676602-*15	SEE TABLE	SEE TABLE	1
3	0.64 IDC FEMALE TM'L	ST793380-3	COPPER ALLOY	PRE-TIN	15

MATERIAL	SEE TABLE		KOREA ELECTRIC TERMINAL CO., LTD. Electronic Product Development Team
FINISH	SEE TABLE		
WIRE RANGE		CLASS	
INSULATION		TYPE	
TOLERANCE EXCEPT AS NOTED	SEE TABLE	SCALE	PART NO.
		5/1	MG656847-*15
DR. LCM. '15. 12. 29	CHK.PSH. '15. 12. 29	PART NAME	
CHK. KSH. '15. 12. 29	APP. BUC. '15. 12. 29	2.5 IDC 15F ASS'Y	

APPROVED

2017-02-08

KOREA ELECTRIC
TERMINAL CO., LTD.
Electronic Product Development Team

ISSUE MARK