

NO.	PART NAME	PART NO.	MATERIAL	COLOR	QTY.
①	060 12F HOUSING	MG676330	SEE TABLE	SEE TABLE	1
②	060 12F SPACER	MG676331-3	PBT	YELLOW	1

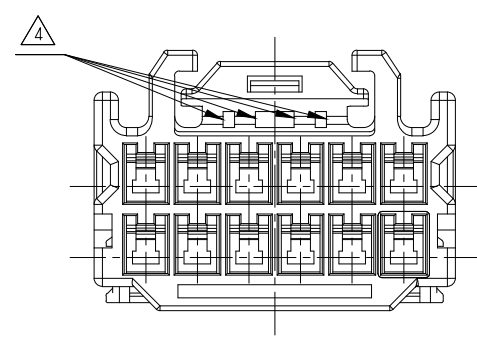
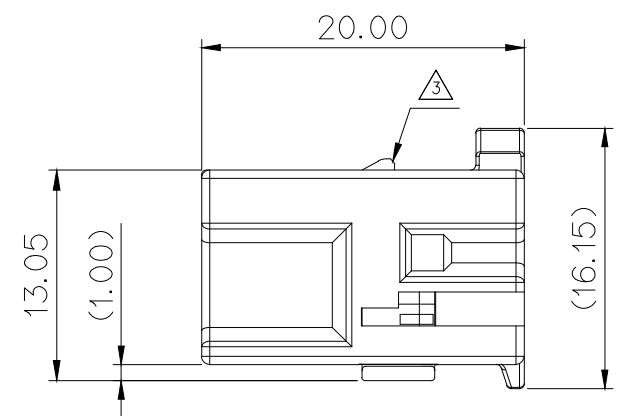
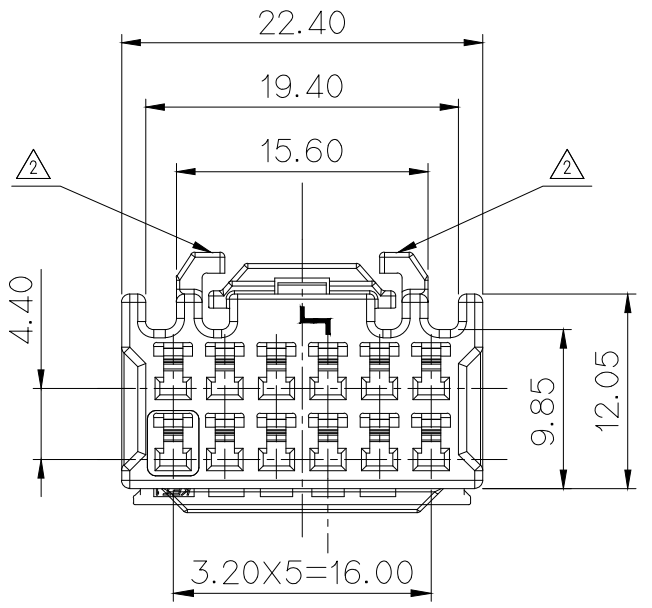
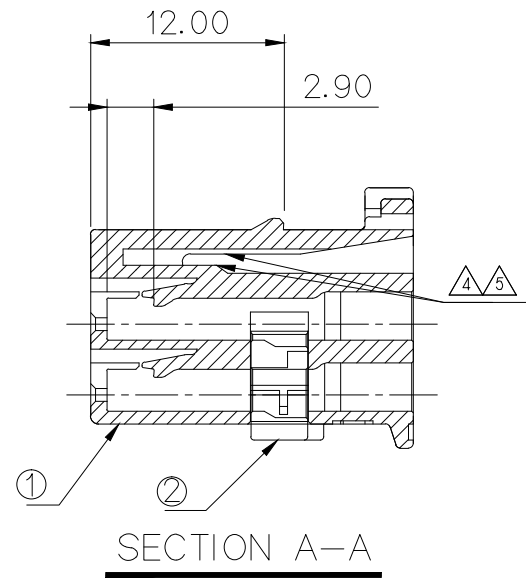
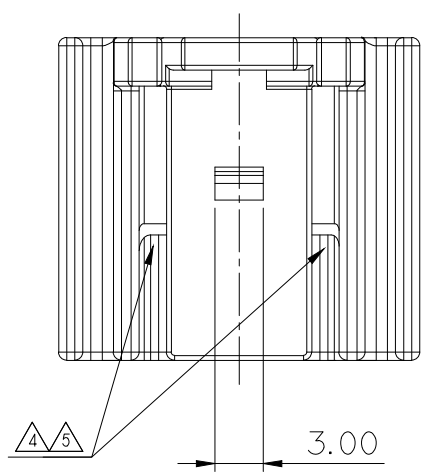
GENERAL TOLERANCE (HOUSING)										USED ON
10MAX	30MAX	50MAX	70MAX	100MAX	125MAX	250MAX	250VR	ANGLE	ECCENT	
±0.15	±0.2	±0.3	±0.4	±0.5	±0.75	±0.9	±1.4	±30'	0.1	

NOTE

- MUST BE FREE OF FLASH, SINK AND IMPERFECTION THAT AFFECT FUNCTION.
- APPLICABLE TERMINAL : ST731334,731335,731336
- MATCHING HOUSING : MG645884
- SPACER IS SUPPORT WITH THE 1st LOCK CONDITION.
- 6 HAZARDOUS SUBSTANCES IN PARTS (LEAD, MERCURY, CADMIUM, HEXAVALENT CHROMIUM, PBBs, PBDEs) SHALL NOT EXCEED THE MAXIMUM PERMISSIBLE CONCENTRATION PRESCRIBED UNDER EU ELV DIRECTIVE & RoHS REGULATION.

주 기

- 기능상 유해한 BURR 및 WELDLINE 등이 없을 것.
- 적용 TERMINAL : ST731334,731335,731336
- 상대 HOUSING : MG645884
- SPACER는 1차 LOCK 상태로 유지, 공급할 것.
- 제품내 함유된 6대 유해물질 (납, 수은, 카드뮴, 6가크롬, PBBs, BPDEs)은 EU ELV 지침 및 RoHS 법규에서 지정한 최대 허용 농도를 초과해서는 안 된다.



NO.	MATERIAL	COLOR
* 0	P B T	NATURAL
1		RED
* 2		BLUE
20		JADE
3		YELLOW
4		GRAY
40		DARK GRAY
41		LIGHT GRAY
5		BLACK
6		DARK GREEN
7		BROWN
8	LIGHT GREEN	
9	MAGENTA	
11	ORANGE	

APPROVED

2021-11-03

**KOREA ELECTRIC
TERMINAL CO., LTD.**
Korea Electric Terminal Co., LTD.

ISSUE MARK

⑤	ECO-1803-248 근거 도면 재작성	JH / NKT	CJH	'18.03.29	MATERIAL	SEE TABLE	KET KOREA ELECTRIC ENGINEERED TERMINAL CO., LTD.
④	ECO-1712-403 근거 도면 재작성	JH / LND	CJH	'17.12.27	FINISH	SEE TABLE	
③	ECO-1602-199 근거 도면 재작성	LJY / CSH	LSY	'16.02.16	WIRE RANGE	CLASS	060
②	ECO-1601-122 근거 도면 재작성	LJY / CSH	LSY	'16.01.05	INSULATION	TYPE	
①	ECO-1509-332 근거 도면 재작성	LJY / CSH	LSY	'15.09.22	TOLERANCE EXCEPT AS NOTED	SCALE	2/1
LTR	REVISION RECORD	DR. / CHK.	APP.	DATE	PART NAME	MG655828	
DR.	LJY '14.12.31	CHK.	YSW '14.12.31		060 12F ASSY		
CHK.		APP.	BIN '14.12.31				

⑥	ECO-2103-323 근거 도면 재작성	CKH / NKT	SSH	'21.03.24
---	------------------------	-----------	-----	-----------