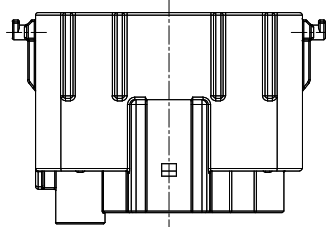
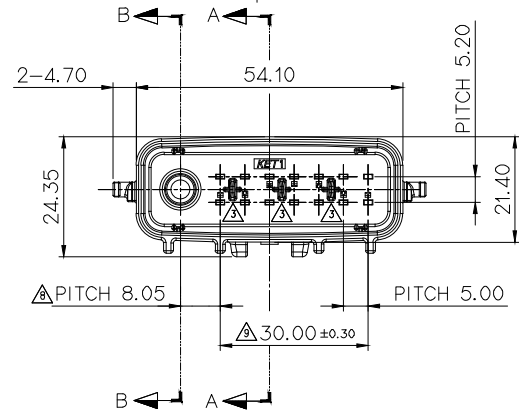
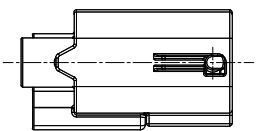
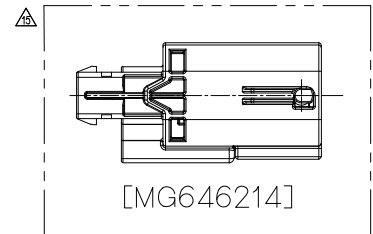
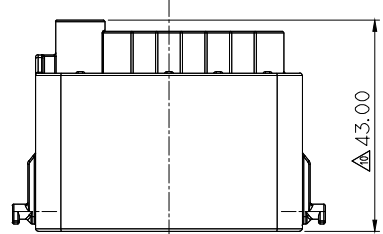
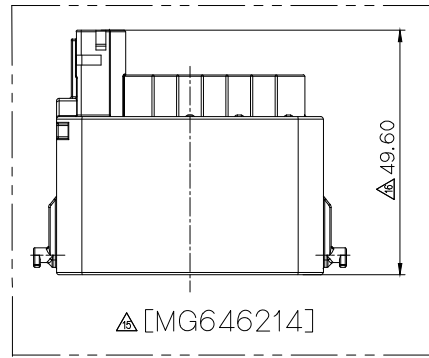
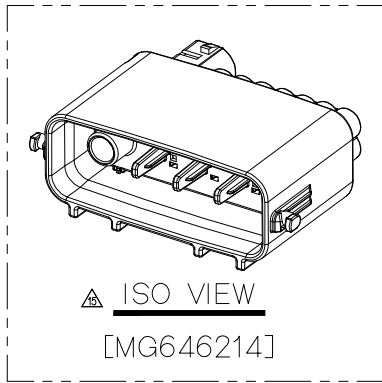
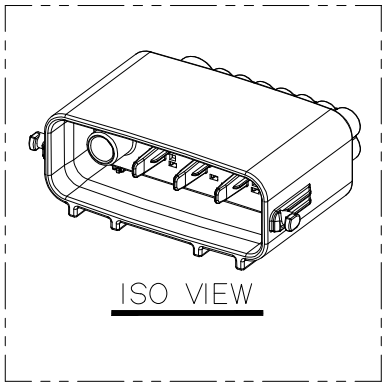


PART NO. MG655819
MG646214

CUSTOMER DRAWING



주 기

- 지시하지 않은 반경 R,C는 0.3으로 한다.
- 기능상 유해한 BURR 및 WELDLINE 등이 없을 것.
- 적용 TERMINAL : (N060) ST741341-3, ST741342-3
 △△(FAKRA) : △△SEE TABLE
 WIRE SEAL : (N060) MG685390, MG685391, MG685392, MG685393
 △△(FAKRA) : △△SEE TABLE
 DUMMY SEAL : (N060) MG685394, (FAKRA) MG685476
 FEMALE ASSY : MG645872
- F/HOLDER는 1차 LOCK 상태로 유지, 공급할 것.
- HOUSING 표면 부식 사양 : KDP-6A
- 제품내 함유된 6대 유해물질 (납, 수은, 카드뮴, 6가 크롬, PBBs, PBDEs)은 EU ELV 지침 및 RoHS 법규에서 지정한 최대 허용 농도를 초과해서는 안된다.
- FAKRA 전선 사양 : RG-316A

NOTE

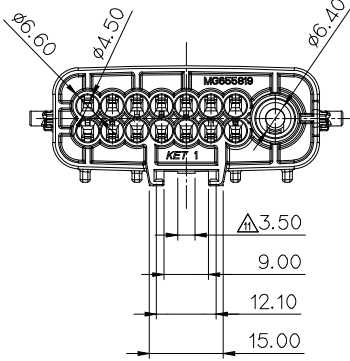
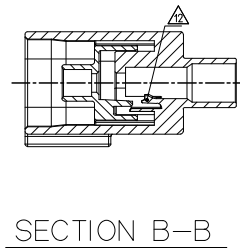
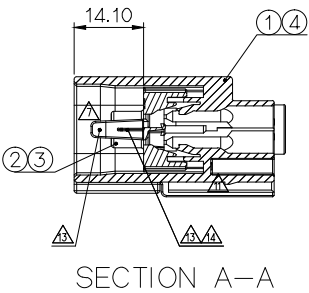
- UNLESS OTHERWISE SPECIFIED ALL RADIUS, CHAMFERS TO BE 0.3 RADIUS.
- MUST BE FREE OF FLASH, SINK AND IMPERFECTION THAT AFFECT FUNCTION.
- APPLICABLE TERMINAL : (N060) ST741341-3, ST741342-3
 △△(FAKRA) : △△SEE TABLE
 WIRE SEAL : (N060) MG685390, MG685391, MG685392, MG685393
 △△(FAKRA) : △△SEE TABLE
 DUMMY SEAL : (N060) MG685394, (FAKRA) MG685476
 FEMALE ASSY : MG645872
- F/HOLDER IS SUPPORT WITH THE 1st LOCK CONDITION.
- HOUSING ETCHING SPEC : KDP-6A
- 6 HAZARDOUS SUBSTANCES IN PARTS (LEAD, MERCURY, CADMIUM, HEXAVALENT CHROMIUM, PBBs, PBDEs) SHALL NOT EXCEED THE MAXIMUM PERMISSIBLE CONCENTRATION PRESCRIBED UNDER EU ELV DIRECTIVE.
- FAKRA CABLE SPECIFICATIONS : RG-316A

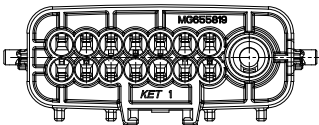
GENERAL TOLERANCE (HOUSING)										USED ON
10MAX	30MAX	50MAX	70MAX	100MAX	125MAX	250MAX	250VR	ANGLE	ECCENT	
±0.15	±0.2	±0.3	±0.4	±0.5	±0.75	±0.9	±1.4	±30'	0.1	

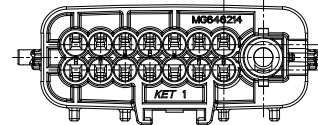
NO	MG655819	MG655819-5	MG646214	MG646214-5	PART NO.	PART NAME	MATERIAL	FINISH
①	1	1	-	-	△MG676285	060 FAKRA WP 15M HOUSING	PBT	△SEE TABLE
②	1	-	1	-	△MG676286-5	060 FAKRA WP 15M FRONT HOLDER	PBT	△BLACK
③	-	1	-	1	MG676286	060 FAKRA WP 15M FRONT HOLDER	PBT	NATURAL
④	-	-	1	1	MG677230	060 FAKRA WP 15M HOUSING	PBT	SEE TABLE

주 기
 1. 해당 주기는 아래의 PART NO. 치수에 한함.
 PART NO. : MG646214
 치수 : ◆
 2. 적용 TERMINAL(FAKRA) : △△SEE TABLE
 FEMALE ASSY : MG657026
 REAR HOLDER : MG635740

NOTES
 1. THIS NOTE ONLY APPLIES TO PART NO. : MG646214
 DIMENSION : ◆
 2. APPLICABLE TERMINAL(FAKRA) : △△SEE TABLE
 FEMALE ASSY : MG657026
 REAR HOLDER : MG635740



060FAKRA WP 15M ASSY			
PART NO.	MG655819		
			
가공타입 파크라 단자 적용			
NAME	PRODUCT NO	NAME	PRODUCT NO
OUTER CONTACT	KR30201-20	WIRE SEAL	△KR00802-00
TERMINAL	KR30301-20		KR00801-20
SUB SLEEVE	KR00403-20	DUMMY SEAL	MG685476

060FAKRA WP 15M ASSY (NEW)			
PART NO.	MG646214		
			
프레스타입 파크라 단자 적용			
NAME	PRODUCT NO	NAME	PRODUCT NO
OUTER CONTACT	KR30202-20	WIRE SEAL	RG316 KR00802-00
TERMINAL	KR30301-20	SPACER	1.5DS KR00801-20
SUB SLEEVE	KR00406-20	REAR SPACER	KR01000-20
△SUB SLEEVE II 0.4T	KR00408-20		KR01001-20
DUMMY SEAL	MG685476		

NO.	MATERIAL	COLOR
0	PBT	NATURAL
1		RED
2		BLUE
20		JADE
3		YELLOW
4		GRAY
40		DARK GRAY
41		LIGHT GRAY
5		BLACK
6		DARK GREEN
7		BROWN
8		LIGHT GREEN
9		MAGENTA
11		ORANGE

SEE TABLE
 DIE NO
 ISSUE MARK

LTR	REVISION RECORD	DR	CHK	APP	DATE	LTR	REVISION RECORD	DR	CHK	APP	DATE	LTR	REVISION RECORD	DR	CHK	APP	DATE	MATERIAL	SEE TABLE	FINISH	SEE TABLE	WIRE RANGE	INSULATION	SCALE	PART NO.																																																																																																																																																																																																																																																																																																																																																																																																																																																																																																																																																																																																																																																																																																																																																																																																
△	ECO-2005-286	STJ	KSC	CJH	'20.05.29	△	ECO-1901-437	PYJ	WDH	CMS	'19.01.23	△	ECO-1901-437	PYJ	WDH	CMS	'19.01.23	△	ECO-1507-0566	AYT	HYJ	SUK	'15.07.02	△	ECO-1506-4196	RJH	HYJ	SUK	'15.07.01	△	ECO-1506-0836	RJH	HYJ	LSY	'15.06.04	△	ECO-1505-2292	RJH	HYJ	LSY	'15.05.26	△	ECO-1502-4116	YMK	HYJ	LSY	'15.02.25	△	ECO-1510-1078	JH,K	RJH	SUK	'15.10.08	△	ECO-1508-3746	JH,K	RJH	SUK	'15.10.07	△	ECO-1508-1986	RJH	HYJ	LSY	'15.08.28	△	ECO-1508-1986	RJH	HYJ	LSY	'15.08.20	△	ECO-1502-264	PYJ	WDH	CMS	'18.10.26	△	ECO-1710-246	SYL	HYJ	CJH	'17.10.26	△	ECO-1708-356	SYL	KMH	CJH	'17.08.24	△	ECO-1705-362	SYL	KMH	CJH	'17.05.25	△	ECO-1505-598	KJS	CKY	LSY	'16.05.30	△	ECO-1510-3066	JH,K	RJH	SUK	'15.10.20	△	ECO-1510-1166	JH,K	RJH	SUK	'15.10.08	△	ECO-1508-3746	JH,K	RJH	SUK	'15.10.07	△	ECO-1508-1986	RJH	HYJ	LSY	'15.08.28	△	ECO-1508-1986	RJH	HYJ	LSY	'15.08.20	△	ECO-1502-264	PYJ	WDH	CMS	'18.10.26	△	ECO-1710-246	SYL	HYJ	CJH	'17.10.26	△	ECO-1708-356	SYL	KMH	CJH	'17.08.24	△	ECO-1705-362	SYL	KMH	CJH	'17.05.25	△	ECO-1505-598	KJS	CKY	LSY	'16.05.30	△	ECO-1510-3066	JH,K	RJH	SUK	'15.10.20	△	ECO-1510-1166	JH,K	RJH	SUK	'15.10.08	△	ECO-1508-3746	JH,K	RJH	SUK	'15.10.07	△	ECO-1508-1986	RJH	HYJ	LSY	'15.08.28	△	ECO-1508-1986	RJH	HYJ	LSY	'15.08.20	△	ECO-1502-264	PYJ	WDH	CMS	'18.10.26	△	ECO-1710-246	SYL	HYJ	CJH	'17.10.26	△	ECO-1708-356	SYL	KMH	CJH	'17.08.24	△	ECO-1705-362	SYL	KMH	CJH	'17.05.25	△	ECO-1505-598	KJS	CKY	LSY	'16.05.30	△	ECO-1510-3066	JH,K	RJH	SUK	'15.10.20	△	ECO-1510-1166	JH,K	RJH	SUK	'15.10.08	△	ECO-1508-3746	JH,K	RJH	SUK	'15.10.07	△	ECO-1508-1986	RJH	HYJ	LSY	'15.08.28	△	ECO-1508-1986	RJH	HYJ	LSY	'15.08.20	△	ECO-1502-264	PYJ	WDH	CMS	'18.10.26	△	ECO-1710-246	SYL	HYJ	CJH	'17.10.26	△	ECO-1708-356	SYL	KMH	CJH	'17.08.24	△	ECO-1705-362	SYL	KMH	CJH	'17.05.25	△	ECO-1505-598	KJS	CKY	LSY	'16.05.30	△	ECO-1510-3066	JH,K	RJH	SUK	'15.10.20	△	ECO-1510-1166	JH,K	RJH	SUK	'15.10.08	△	ECO-1508-3746	JH,K	RJH	SUK	'15.10.07	△	ECO-1508-1986	RJH	HYJ	LSY	'15.08.28	△	ECO-1508-1986	RJH	HYJ	LSY	'15.08.20	△	ECO-1502-264	PYJ	WDH	CMS	'18.10.26	△	ECO-1710-246	SYL	HYJ	CJH	'17.10.26	△	ECO-1708-356	SYL	KMH	CJH	'17.08.24	△	ECO-1705-362	SYL	KMH	CJH	'17.05.25	△	ECO-1505-598	KJS	CKY	LSY	'16.05.30	△	ECO-1510-3066	JH,K	RJH	SUK	'15.10.20	△	ECO-1510-1166	JH,K	RJH	SUK	'15.10.08	△	ECO-1508-3746	JH,K	RJH	SUK	'15.10.07	△	ECO-1508-1986	RJH	HYJ	LSY	'15.08.28	△	ECO-1508-1986	RJH	HYJ	LSY	'15.08.20	△	ECO-1502-264	PYJ	WDH	CMS	'18.10.26	△	ECO-1710-246	SYL	HYJ	CJH	'17.10.26	△	ECO-1708-356	SYL	KMH	CJH	'17.08.24	△	ECO-1705-362	SYL	KMH	CJH	'17.05.25	△	ECO-1505-598	KJS	CKY	LSY	'16.05.30	△	ECO-1510-3066	JH,K	RJH	SUK	'15.10.20	△	ECO-1510-1166	JH,K	RJH	SUK	'15.10.08	△	ECO-1508-3746	JH,K	RJH	SUK	'15.10.07	△	ECO-1508-1986	RJH	HYJ	LSY	'15.08.28	△	ECO-1508-1986	RJH	HYJ	LSY	'15.08.20	△	ECO-1502-264	PYJ	WDH	CMS	'18.10.26	△	ECO-1710-246	SYL	HYJ	CJH	'17.10.26	△	ECO-1708-356	SYL	KMH	CJH	'17.08.24	△	ECO-1705-362	SYL	KMH	CJH	'17.05.25	△	ECO-1505-598	KJS	CKY	LSY	'16.05.30	△	ECO-1510-3066	JH,K	RJH	SUK	'15.10.20	△	ECO-1510-1166	JH,K	RJH	SUK	'15.10.08	△	ECO-1508-3746	JH,K	RJH	SUK	'15.10.07	△	ECO-1508-1986	RJH	HYJ	LSY	'15.08.28	△	ECO-1508-1986	RJH	HYJ	LSY	'15.08.20	△	ECO-1502-264	PYJ	WDH	CMS	'18.10.26	△	ECO-1710-246	SYL	HYJ	CJH	'17.10.26	△	ECO-1708-356	SYL	KMH	CJH	'17.08.24	△	ECO-1705-362	SYL	KMH	CJH	'17.05.25	△	ECO-1505-598	KJS	CKY	LSY	'16.05.30	△	ECO-1510-3066	JH,K	RJH	SUK	'15.10.20	△	ECO-1510-1166	JH,K	RJH	SUK	'15.10.08	△	ECO-1508-3746	JH,K	RJH	SUK	'15.10.07	△	ECO-1508-1986	RJH	HYJ	LSY	'15.08.28	△	ECO-1508-1986	RJH	HYJ	LSY	'15.08.20	△	ECO-1502-264	PYJ	WDH	CMS	'18.10.26	△	ECO-1710-246	SYL	HYJ	CJH	'17.10.26	△	ECO-1708-356	SYL	KMH	CJH	'17.08.24	△	ECO-1705-362	SYL	KMH	CJH	'17.05.25	△	ECO-1505-598	KJS	CKY	LSY	'16.05.30	△	ECO-1510-3066	JH,K	RJH	SUK	'15.10.20	△	ECO-1510-1166	JH,K	RJH	SUK	'15.10.08	△	ECO-1508-3746	JH,K	RJH	SUK	'15.10.07	△	ECO-1508-1986	RJH	HYJ	LSY	'15.08.28	△	ECO-1508-1986	RJH	HYJ	LSY	'15.08.20	△	ECO-1502-264	PYJ	WDH	CMS	'18.10.26	△	ECO-1710-246	SYL	HYJ	CJH	'17.10.26	△	ECO-1708-356	SYL	KMH	CJH	'17.08.24	△	ECO-1705-362	SYL	KMH	CJH	'17.05.25	△	ECO-1505-598	KJS	CKY	LSY	'16.05.30	△	ECO-1510-3066	JH,K	RJH	SUK	'15.10.20	△	ECO-1510-1166	JH,K	RJH	SUK	'15.10.08	△	ECO-1508-3746	JH,K	RJH	SUK	'15.10.07	△	ECO-1508-1986	RJH	HYJ	LSY	'15.08.28	△	ECO-1508-1986	RJH	HYJ	LSY	'15.08.20	△	ECO-1502-264	PYJ	WDH	CMS	'18.10.26	△	ECO-1710-246	SYL	HYJ	CJH	'17.10.26	△	ECO-1708-356	SYL	KMH	CJH	'17.08.24	△	ECO-1705-362	SYL	KMH	CJH	'17.05.25	△	ECO-1505-598	KJS	CKY	LSY	'16.05.30	△	ECO-1510-3066	JH,K	RJH	SUK	'15.10.20	△	ECO-1510-1166	JH,K	RJH	SUK	'15.10.08	△	ECO-1508-3746	JH,K	RJH	SUK	'15.10.07	△	ECO-1508-1986	RJH	HYJ	LSY	'15.08.28	△	ECO-1508-1986	RJH	HYJ	LSY	'15.08.20	△	ECO-1502-264	PYJ	WDH	CMS	'18.10.26	△	ECO-1710-246	SYL	HYJ	CJH	'17.10.26	△	ECO-1708-356	SYL	KMH	CJH	'17.08.24	△	ECO-1705-362	SYL	KMH	CJH	'17.05.25	△	ECO-1505-598	KJS	CKY	LSY	'16.05.30	△	ECO-1510-3066	JH,K	RJH	SUK	'15.10.20	△	ECO-1510-1166	JH,K	RJH	SUK	'15.10.08	△	ECO-1508-3746	JH,K	RJH	SUK	'15.10.07	△	ECO-1508-1986	RJH	HYJ	LSY	'15.08.28	△	ECO-1508-1986	RJH	HYJ	LSY	'15.08.20	△	ECO-