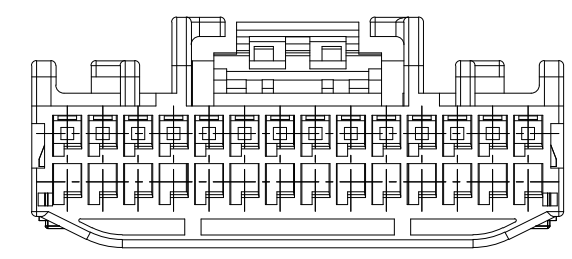
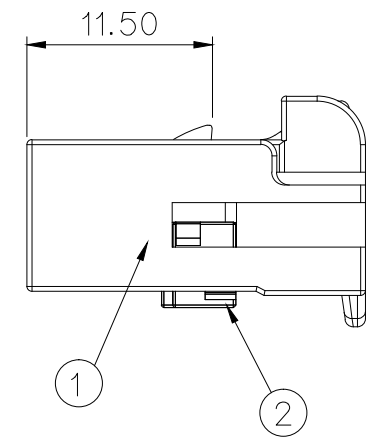
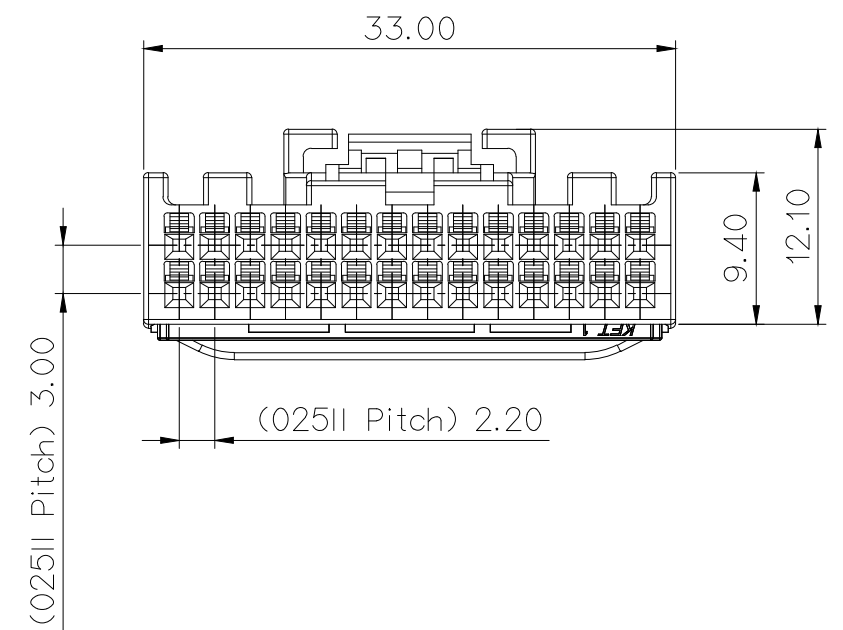
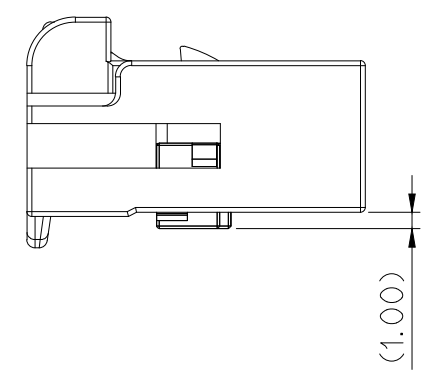


GENERAL TOLERANCE (HOUSING)										USED ON
10MAX	30MAX	50MAX	70MAX	100MAX	125MAX	250MAX	250VR	ANGLE	ECCENT	
±0.15	±0.2	±0.3	±0.4	±0.5	±0.75	±0.9	±1.4	±30'	0.1	

주 기

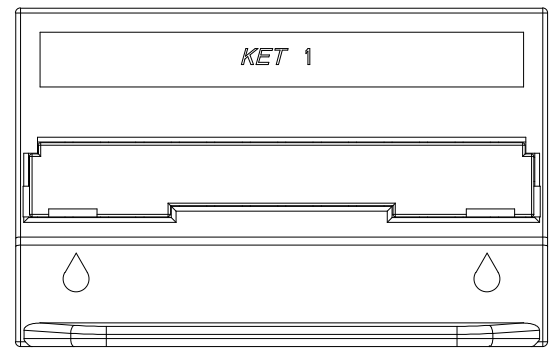
1. 기능상 유해한 BURR 및 WELDLINE 등이 없을 것.
2. 적용 TERMINAL(O25II) : ST731374, 1375-3
3. 상대 HOUSING : MG644088, MG645119, MG645719
4. 제품내 함유된 6대 유해물질 (납,수은,카드뮴,6가크롬, PBBs,PBDEs)은 EU ELV 지침 및 RoHS 법규에서 지정한 최대 허용 농도를 초과해서는 안된다.



NO.	MATERIAL	COLOR
0	P B T	NATURAL
1		RED
2		BLUE
20		JADE
3		YELLOW
4		GRAY
40		DARK GRAY
* 41		LIGHT GRAY
5		BLACK
6		DARK GREEN
7		BROWN
8	LIGHT GREEN	
9	MAGENTA	
11	ORANGE	

NOTE

1. MUST BE FREE OF FLASH, WELDLINE AND IMPERFECTION THAT AFFECT FUNCTION.
2. APPLICABLE TERMINAL : ST731374, 1375-3
3. MATCHING HOUSING : MG644088, MG645119, MG645719
4. 6 HAZARDOUS SUBSTANCES IN PARTS (LEAD, MERCURY, CADMIUM, HEXAVALENT CHROMIUM, PBBs, PBDEs) SHALL NOT EXCEED THE MAXIMUM PERMISSIBLE CONCENTRATION PRESCRIBED UNDER EU ELV DIRECTIVE & RoHS REGULATION.



**APPROVED**  
2018-12-11  
KOREA ELECTRIC  
TERMINAL CO., LTD.  
Korea Electric Terminal Co., LTD.

NO.	PART NAME	PART NO.	MATERIAL	COLOR	QTY.
1	025II 28F HOUSING	MG676076-41	PBT	L/GRAY	1
2	025II 28F SPACER	MG676077	PBT	NATURAL	1

MATERIAL	SEE TABLE	KOREA ELECTRIC TERMINAL CO., LTD.			
FINISH	SEE TABLE				
WIRE RANGE	CLASS 025II				
INSULATION	TYPE				
LTR	REVISION RECORD	DR. CHK. APP. DATE	TOLERANCE EXCEPT AS NOTED	SCALE 2/1	PART NO. MG655762
DR. HSR	2015.09.15	CHK. LJE	2015.09.15	PART NAME	025II 28F ASSY
CHK.		APP. BIN	2015.09.15		