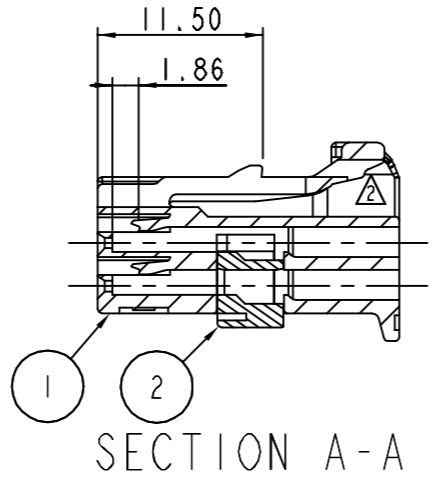
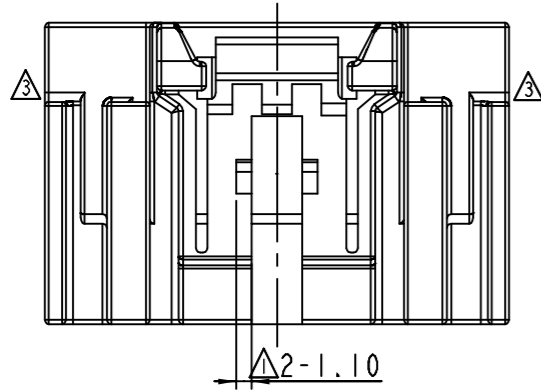


GENERAL TOLERANCE (HOUSING)										USED ON
10 MAX	30 MAX	50 MAX	70 MAX	100 MAX	125 MAX	250 MAX	250 VR	ANGLE	ECCENT	
±0.15	±0.2	±0.3	±0.4	±0.5	±0.75	±0.95	±1.4	±30'	0.1	



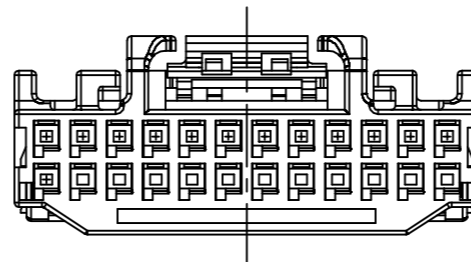
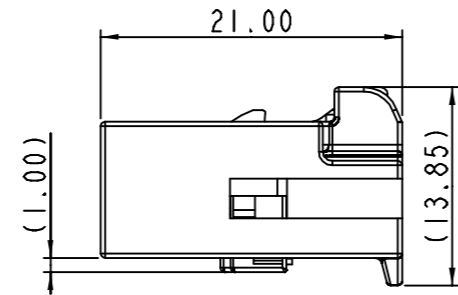
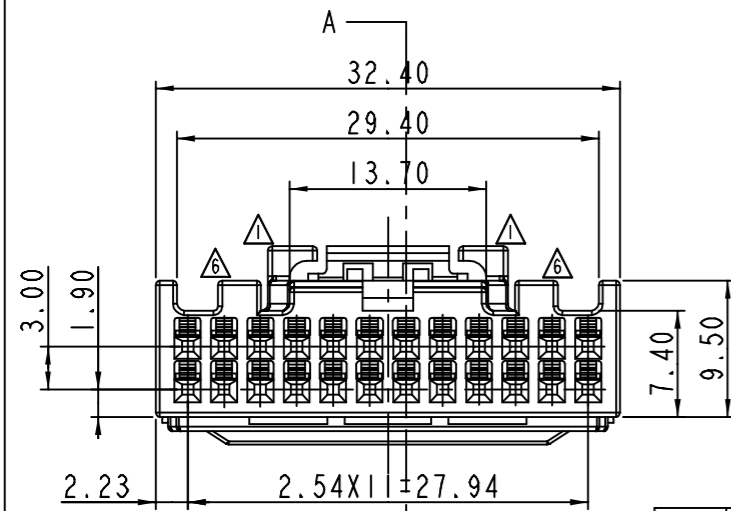
No.	MATERIAL	COLOR
0	P B T	NATURAL
1		RED
2		BLUE
20		JADE
3		YELLOW
4		GRAY
40		DARK GRAY
5		LIGHT GRAY
6		BLACK
7		DARK GREEN
8		BROWN
9		MAGENTA
11		ORANGE

NOTE

- MUST BE FREE OF FLASH, SINK AND IMPERFECTION THAT AFFECT FUNCTION.
- APPLICABLE TERMINAL (02511) : ST731374, 731375
- MATCHING HOUSING
A CODE : MG645802/MG645878/MG646098-5
B CODE : MG646092
- THE MOLD DRAWING IN THE SAME WAY, SPACER IS NORMAL CONDITION MAINTENANCE AND SUPPLY WITH FIRST LOCKING.
- 6 HAZARDOUS SUBSTANCES IN PARTS (LEAD, MERCURY, CADMIUM, HEXAVALENT CHROMIUM, PBBs, PBDEs) SHALL NOT EXCEED THE MAXIMUM PERMISSIBLE CONCENTRATION PRESCRIBED UNDER EU ELV DIRECTIVE & RoHS REGULATION.

주 기

- 기능상 유해한 BURR 및 WELDLINE 등이 없을 것.
- 적용 TERMINAL (02511) : ST731374, ST731375
- 상대 HOUSING
A CODE : MG645802/MG645878/MG646098-5
B CODE : MG646092
- SPACER는 본 도면과 같이 1차 LOCK'G 상태로 유지, 공급할 것.
- 제품내 함유된 6대 유해물질 (납, 수은, 카드뮴, 6가크롬, PBBs, PBDEs)은 EU ELV 지침 및 RoHS 범규에서 지정한 최대 허용 농도를 초과해서는 안된다.



NO.	PART NAME	PART NO.	MATERIAL	COLOR	QTY
1	02511 24F HOUSING(2.54 PITCH)	MG676067	SEE TABLE	NATURAL	1
	02511 24F HOUSING B_CODE(2.54 PITCH)	MG677085-4		GRAY	-
2	02511 24F SPACER(2.54 PITCH)	MG676068-3		YELLOW	1

MG655758
MG656931-4

02511 24F ASSY A_CODE		02511 24F ASSY B_CODE	
PART NO.	COLOR	PART NO.	COLOR
MG655758	NATURAL	MG656931-4	GRAY

LTR	REVISION RECORD	DR.	CHK.	APP.	DATE
		DR. YSW	CHK. WSW	APP.	'13.10.29
		CHK.	APP. CWK		'13.10.29

MATERIAL	SEE TABLE	KIET KOREA ELECTRIC TERMINAL CO., LTD.
FINISH	SEE TABLE	
WIRE RANGE	CLASS	
INSULATION	TYPE	02511
TOLERANCE EXCEPT AS NOTED	SCALE	PART NO. MG655758 MG656931-4
PART_NAME		02511 24F ASSY(2.54 PITCH)

APPROVED
2021-10-25
KOREA ELECTRIC TERMINAL CO., LTD.
Korea Electric Terminal Co., LTD.

ISSUE MARK