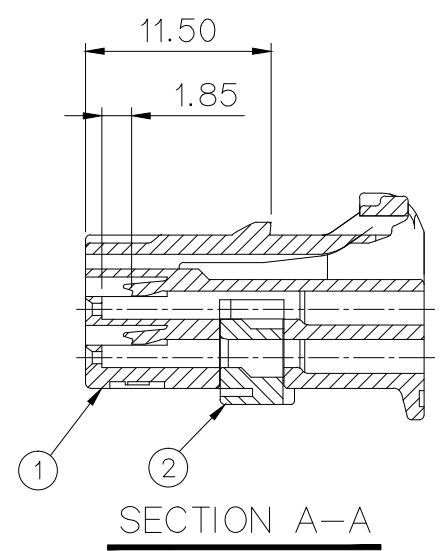
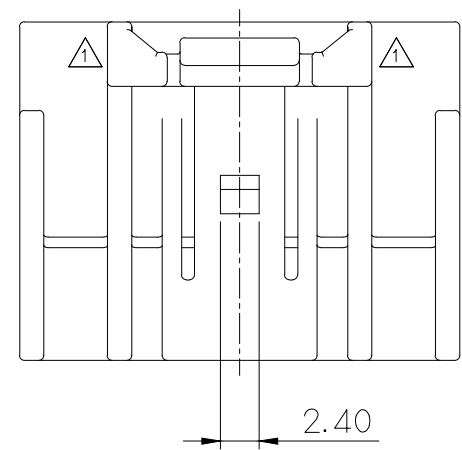


10MAX	30MAX	50MAX	70MAX	100MAX	125MAX	250MAX	250VR	ANGLE	ECCENT	
±0.15	±0.2	±0.3	±0.4	±0.5	±0.75	±0.9	±1.4	±30'	0.1	



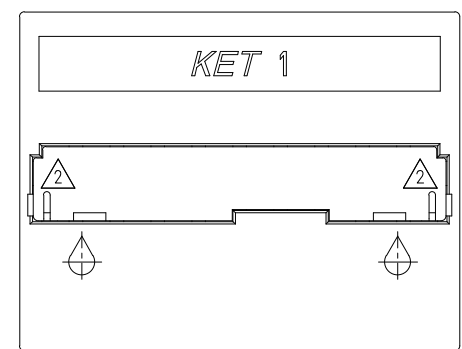
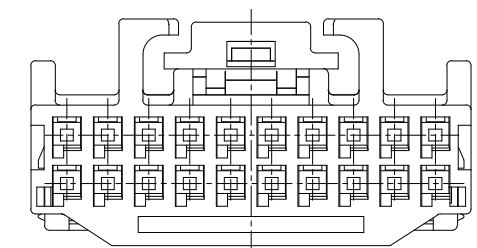
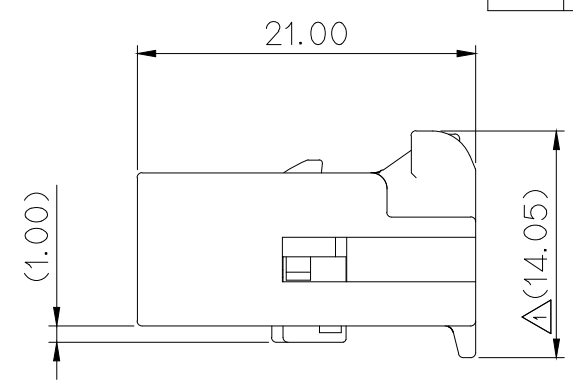
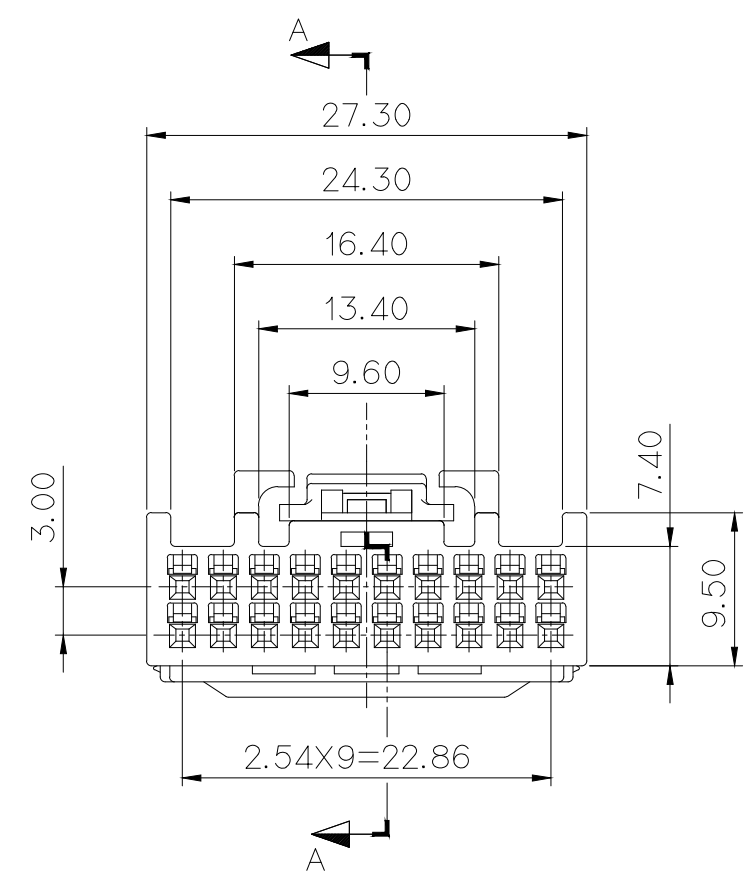
NO.	MATERIAL	COLOR
* 0	P B T	NATURAL
1		RED
2		BLUE
20		JADE
3		YELLOW
4		GRAY
40		DARK GRAY
41		LIGHT GRAY
5		BLACK
6		DARK GREEN
7		BROWN
8	LIGHT GREEN	
9	MAGENTA	
11	ORANGE	

NOTE

- MUST BE FREE OF FLASH, SINK AND IMPERFECTION THAT AFFECT FUNCTION.
- APPLICABLE TERMINAL (025II) : ST731374,731375
- MATCHING HOUSING : MG645802
- THE MOLD DRAWING IN THE SAME WAY, SPACER IS NORMAL CONDITION MAINTENANCE AND SUPPLY WITH FIRST LOCKING.
- 6 HAZARDOUS SUBSTANCES IN PARTS (LEAD, MERCURY, CADMIUM, HEXAVALENT CHROMIUM, PBBs, PBDEs) SHALL NOT EXCEED THE MAXIMUM PERMISSIBLE CONCENTRATION PRESCRIBED UNDER EU ELV DIRECTIVE & RoHS REGULATION.

주 기

- 기능상 유해한 BURR 및 WELDLINE 등이 없을것.
- 적용 TERMINAL (025II) : ST731374,731375
- 상대 HOUSING : MG645802
- SPACER는 본 도면과 같이 1차 LOCK'G 상태로 유지, 공급할것.
- 제품내 함유된 6대 유해물질 (납,수은,카드뮴,6가크롬, PBBs,PBDEs)은 EU ELV 지침 및 RoHS 법규에서 지정한 최대 허용 농도를 초과해서는 안된다.



NO.	PART NAME	PART NO.	MATERIAL	COLOR	QTY.
1	025II 20F HOUSING(2.54 PITCH)	MG676065	SEE TABLE	SEE TABLE	1
2	025II 20F SPACER(2.54 PITCH)	MG675766	PBT	YELLOW	1

APPROVED

2016-03-10

KOREA ELECTRIC
TERMINAL CO., LTD.
Korea Electric Terminal Co., LTD.

ISSUE MARK

MATERIAL	SEE TABLE	
FINISH	SEE TABLE	
WIRE RANGE		CLASS
INSULATION		TYPE 025II
TOLERANCE EXCEPT AS NOTED	SEE TABLE	SCALE 2/1
LTR	REVISION RECORD	DATE
DR. YSW '13.10.29	CHK. WSW '13.10.29	PART NO. MG655757
CHK.	APP. CWK '13.10.29	PART NAME 025II 20F ASSY(2.54 PITCH)