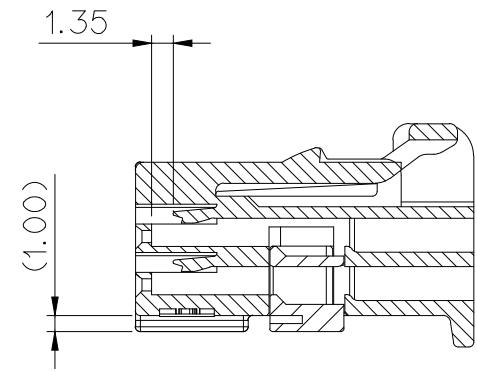
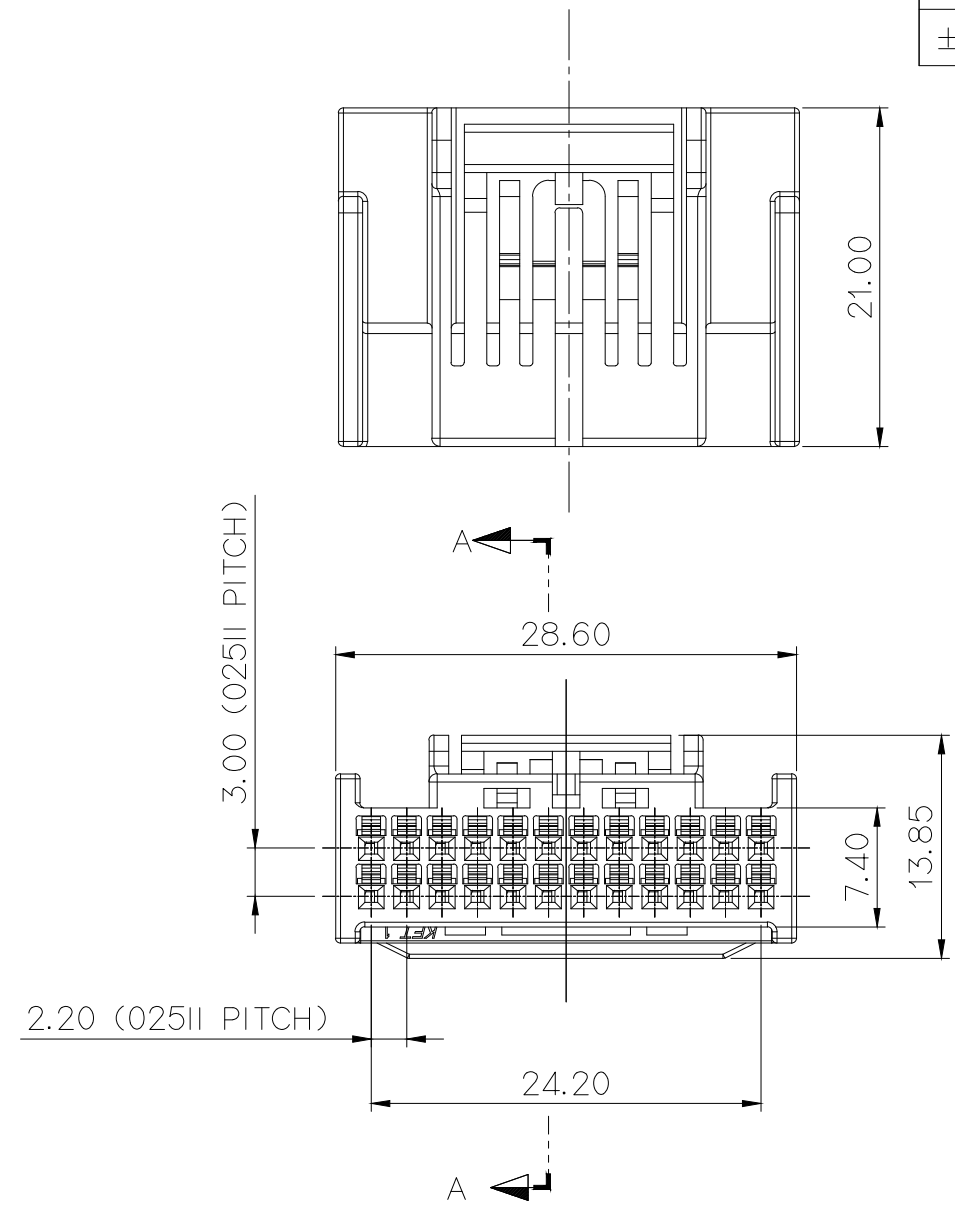
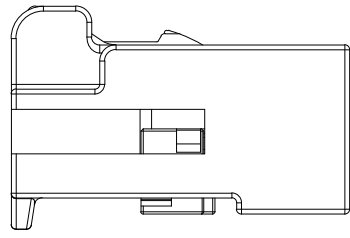
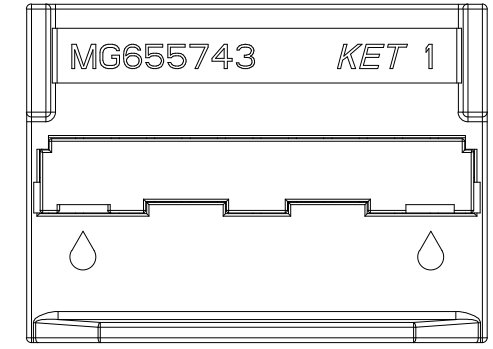


ISO VIEW



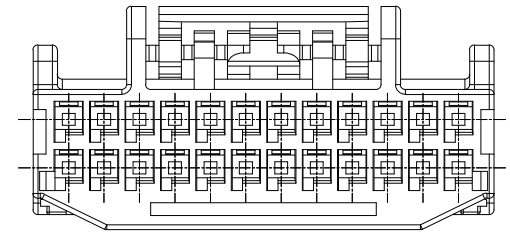
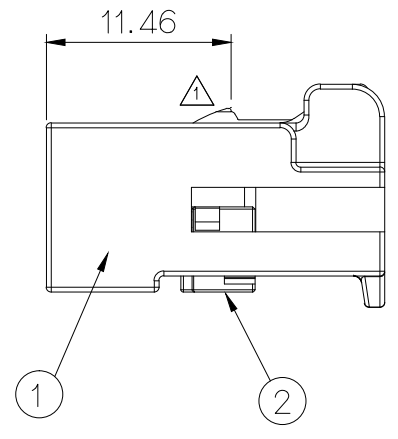
SECTION A-A



GENERAL TOLERANCE (HOUSING)										USED ON
10MAX	30MAX	50MAX	70MAX	100MAX	120MAX	250MAX	250VR	ANGLE	ECCENT	
±0.15	±0.2	±0.3	±0.4	±0.5	±0.75	±0.9	±1.4	±30'	0.1	

주 기

- 기능상 유해한 BURR 및 WELDLINE 등이 없을 것.
- 적용 TERMINAL(025II) : ST731374, 1375-3
- 제품내 함유된 6대 유해물질 (납,수은,카드뮴,6가크롬, PBBs,PBDEs)은 EU ELV 지침 및 RoHS 법규에서 지정한 최대 허용 농도를 초과해서는 안된다.



NOTE

- MUST BE FREE OF FLASH, WELDLINE AND IMPERFECTION THAT AFFECT FUNCTION.
- APPLICABLE TERMINAL : ST731374, 1375-3
- 6 HAZARDOUS SUBSTANCES IN PARTS (LEAD, MERCURY, CADMIUM, HEXAVALENT CHROMIUM, PBBs, PBDEs) SHALL NOT EXCEED THE MAXIMUM PERMISSIBLE CONCENTRATION PRESCRIBED UNDER EU ELV DIRECTIVE & RoHS REGULATION.

APPROVED

2018-12-11

KOREA ELECTRIC
TERMINAL CO., LTD.
Connector Development Team 1

ISSUE MARK

NO.	PART NAME	PART NO.	MATERIAL	COLOR	QTY.
1	025II 24F HOUSING	MG676004	PBT	NATURAL	1
2	025II 24F SPACER	MG676005-41	PBT	L/GRAY	1

MATERIAL	SEE TABLE		KOREA ELECTRIC TERMINAL CO., LTD.	
FINISH	SEE TABLE		CLASS	
WIRE RANGE		TYPE		025II
INSULATION		PART NO.		MG655743
SCALE	1/1	PART NAME		
025II 24F ASSY(SJB용)				
ECO-1504-372 근거 도면 재작성	JH.K WDH LSY 15.04.23			
검사성적서 합격에 따른 도면 재작성	WHS CWK 14.03.11			
LTR	REVISION RECORD	DR.	CHK.	APP.
DR.	WHS 2013.07.27	CHK.		
CHK.	KMH 2013.07.27	APP.	CWK	2013.07.27
TOLERANCE EXCEPT AS NOTED		SEE TABLE		