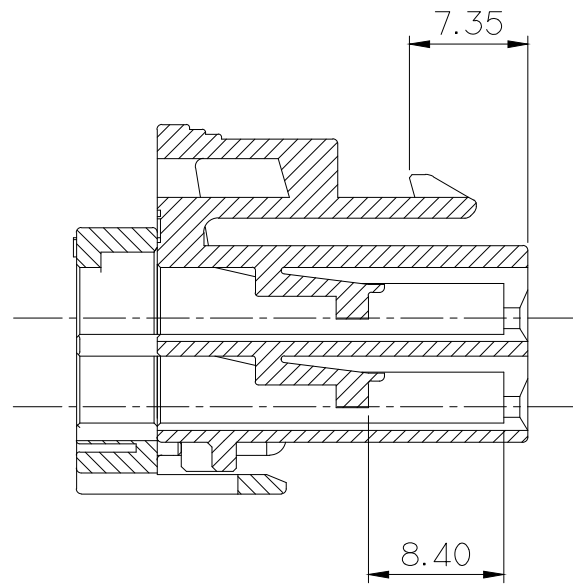
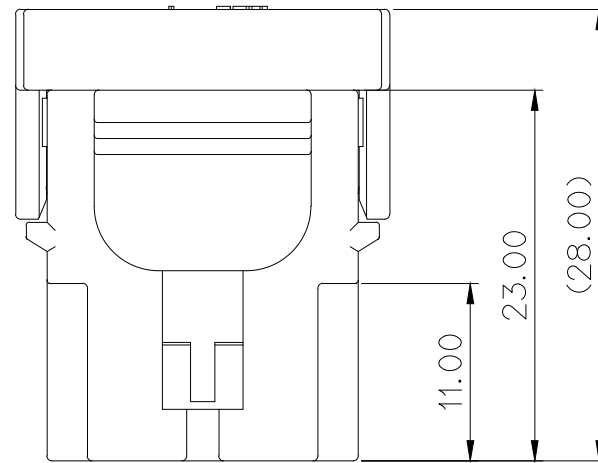
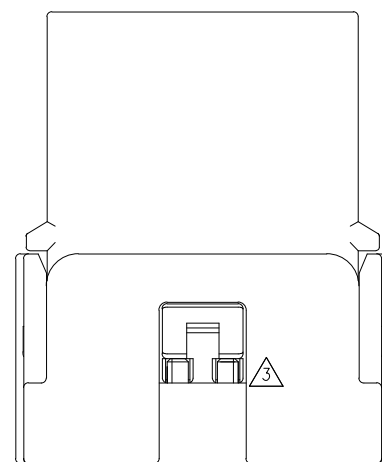
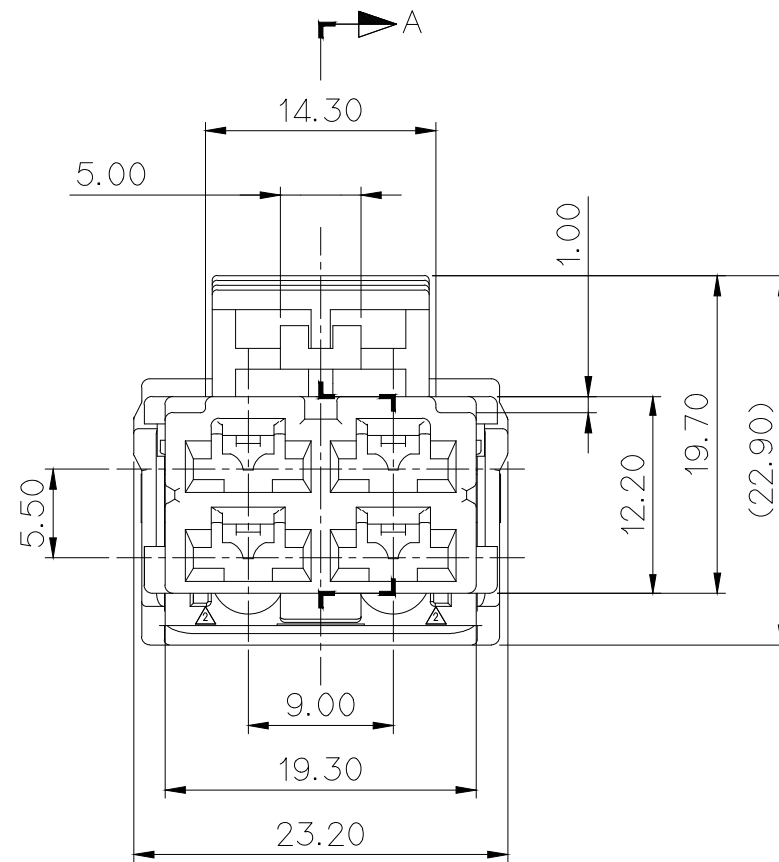


ISO VIEW



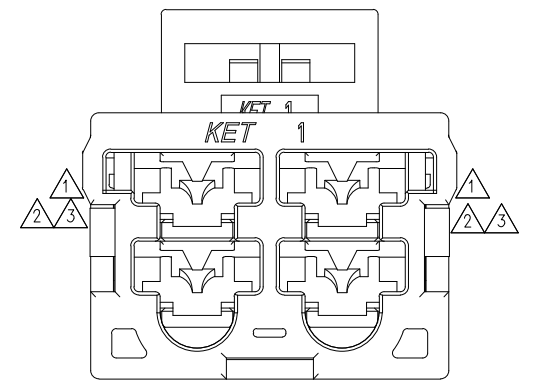
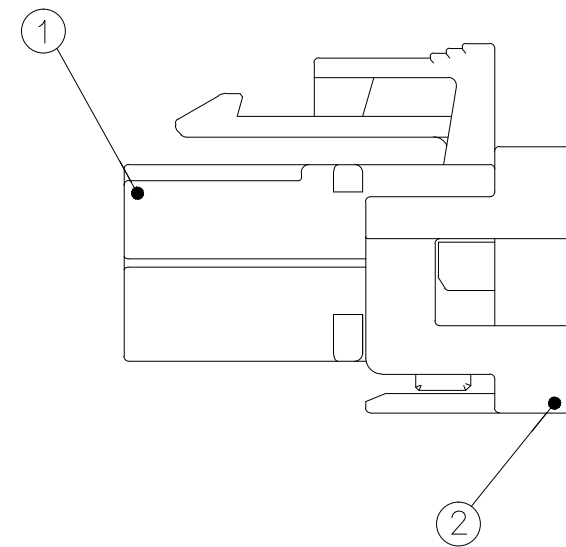
SECTION A-A



| GENERAL TOLERANCE (HOUSING) | | | | | | | USED ON |
|-----------------------------|-------|--------|--------|-------|-------|--------|---------|
| 10MAX | 50MAX | 100MAX | 250MAX | 250VR | ANGLE | ECCENT | |
| ±0.2 | ±0.3 | ±0.55 | ±0.95 | ±1.4 | ±30' | 0.1 | |

NOTE

1. APPLICABLE CONNECTOR : MG620046
2. APPLICABLE TERMINAL : ST730467-3, ST730468-3, ST730469-3
3. 6 HAZARDOUS SUBSTANCES IN PARTS (LEAD, MERCURY, CADMIUM, HEXAVALENT, CHROMIUM, PBBs, PBDEs) SHALL NOT EXCEED THE MAXIMUM PERMISSIBLE CONCENTRATION PRESCRIBED UNDER EU ELV DIRECTIVE & RoHS REGULATION.



| NO. | PART NAME | PART NO | MATERIAL | QTY. | FINISH |
|-----|-------------------------|-------------|----------|------|-----------|
| 1 | 250 4F HOUSING(D/L) | MG675717-5 | PA66 | 1 | BLACK |
| 2 | 250 4F REAR HOLDER(D/L) | MG675718-40 | PA66 | 1 | DARK GRAY |

APPROVED

2016-03-07

KOREA ELECTRIC
TERMINAL CO., LTD.
Korea Electric Terminal Co., LTD.

ISSUE MARK

주 기

1. 적용 CONNECTOR : MG620046
2. 적용 TERMINAL : ST730467-3, ST730468-3, ST730469-3
3. 제품내 함유된 6대 유해물질 (납,수은,카드뮴,6가크롬, PBBs, PBDEs)은 EU ELV 지침 및 RoHS 법규에서 지정한 최대 허용 농도를 초과해서는 안된다.

| | | | | | | | | | | | | | |
|---|-----------------|------------|------|-----------|------------|-----------|--------------------------------------|-------------------|---------------------------|-------|-----|----------|------------|
| ECO-1511-184 근거 도면 변경 (R/H 상,하 돌기부 수정) | YSS | CKY | LSY | '15.11.09 | MATERIAL | SEE TABLE | KOREA ELECTRIC TERMINAL CO., LTD. | | | | | | |
| ECO-1508-352 근거 도면 제작성 (R/H 상,하 돌기부 수정) | SY.L | CKY | LSY | '15.08.28 | FINISH | SEE TABLE | | | | | | | |
| Lock 부 결립양 보강 (ECO-1406-153) 근거 | ASY | HYJ | HJB | '14.06.20 | WIRE RANGE | | CLASS | 250 | | | | | |
| 검보합력에 의한 도면 제작성 | SJK | CWK | HSB | '12.06.08 | INSULATION | | TYPE | - | | | | | |
| LTR | REVISION RECORD | | | | DR. | CHK. | APP. | DATE | TOLERANCE EXCEPT AS NOTED | SCALE | 2/1 | PART NO. | MG655651-5 |
| DR. | SEO.J.K | 2011.10.24 | CHK. | SHIN.S.H | 10/24 | PART NAME | | 250 4F ASSY (D/L) | | | | | |
| CHK. | | | APP. | JUNG.Y.S | 10/24 | | | | | | | | |