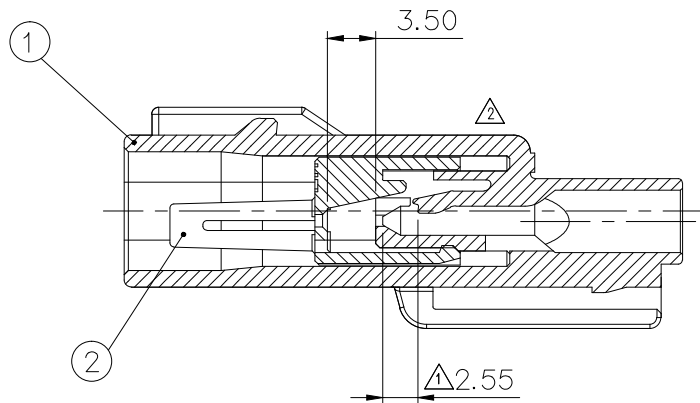
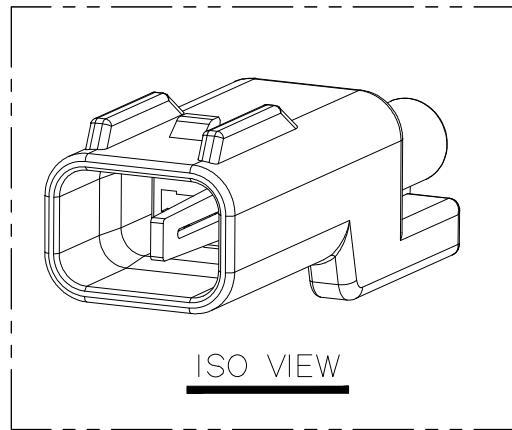
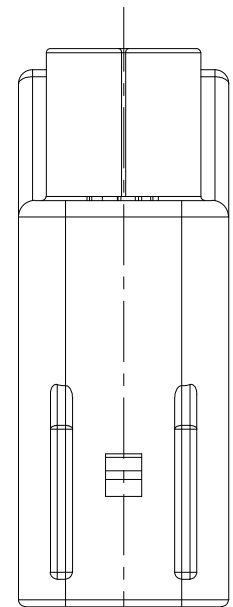
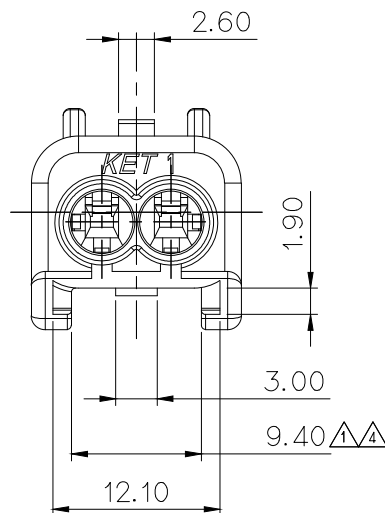
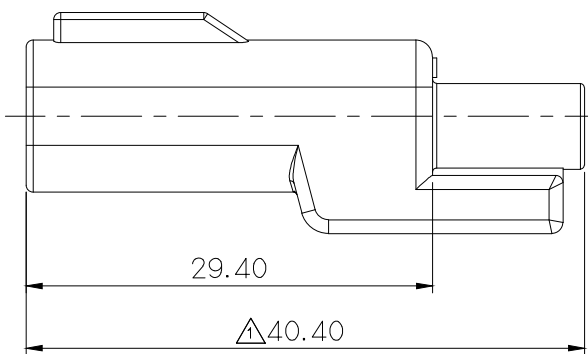
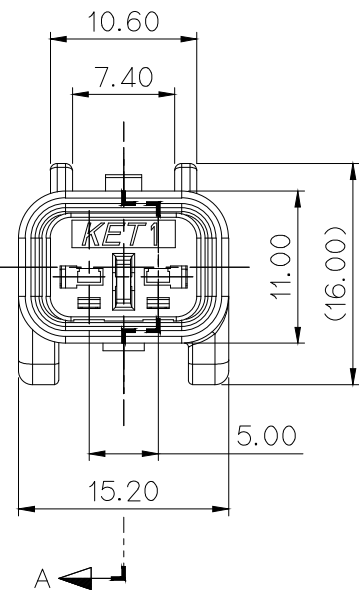


PART NO. MG655641

CUSTOMER DRAWING



SECTION A-A



GENERAL TOLERANCE (HOUSING)									USED ON
10MAX	30MAX	50MAX	70MAX	100MAX	120MAX	250MAX	250VR	ANGLE	
±0.15	±0.20	±0.30	±0.40	±0.50	±0.75	±0.90	±1.40	±30'	

NOTE

- MUST BE FREE OF BURR, WELDLINE AND IMPERFECTION THAT AFFECT FUNCTION.
- APPLICABLE TERMINAL : Δ ST741341, 1342-3
APPLICABLE WIRE SEAL : Δ MG685390/5391/5392/5393
APPLICABLE DUMMY SEAL : MG685394
- MATCHING CONNECTOR : MG645638
- 6 HAZARDOUS SUBSTANCES IN PARTS (LEAD, MERCURY, CADMIUM, HEXAVALENT CHROMIUM, PPBs, PPDEs) SHALL NOT EXCEED THE MAXIMUM PERMISSIBLE CONCENTRATION PRESCRIBED UNDER EU ELV DIRECTIVE & RoHS REGULATION.

주 기

- 기능상 유해한 BURR 및 WELDLINE 등이 없을 것.
- 적용 TERMINAL : Δ ST741341, 1342-3
적용 WIRE SEAL : Δ MG685390/5391/5392/5393
적용 DUMMY SEAL : MG685394
- 상대 CONNECTOR : MG645638
- 제품내 함유된 6대 유해물질 (납, 수은, 카드뮴, 6가크롬, PBBs, PBDEs)은 EU ELV 지침 및 RoHS 법규에서 지정한 최대 허용 농도를 초과해서는 안된다.

DIMENSIONS IN MM

NO.	PART NO.	PART NAME	MATERIAL	FINISH
①	MG675652	N060 WP 2M HOUSING	Δ PBT(G4300G3)	BLACK
②	MG675653	N060 WP 2M F/HOLDER	Δ PBT(G4300G3)	NATURAL

LTR	REVISION RECORD	DR.	CHK.	CHK.	APP.	DATE	TOLERANCE EXCEPT AS NOTED	SCALE	PART NO.
④	ECO-1507-166 근거 제품도 변경 도면 현실화	JH.K	RJH	HYJ	SUK	2015.07.09	SEE TABLE	2/1	MG655641
③	TML, W/Seal 사양 삭제	RJH	HYJ	-	LSY	2014.07.14	SEE TABLE		
②	ECO-1407-103 근거 제품도 변경 LANCER파손 (내한성 TEST시)	RJH	HYJ		LSY	2014.07.14	SEE TABLE		
①	ECO-1402-260 근거 제품도 변경	SJK	KMH	CWK	HJB	2014.03.07	SEE TABLE		
DR.	LHS 2012.05.17	CHK.	KMH			2012.05.17			
CHK.		APP.	HSH			2012.05.18			
							MATERIAL	SEE TABLE	
							FINISH	SEE TABLE	
							WIRE RANGE		CLASS 060
							INSULATION		TYPE WP
							PART NAME	N060 WP 2M ASSY	

APPROVED

ISSUE MARK 2016-03-11

