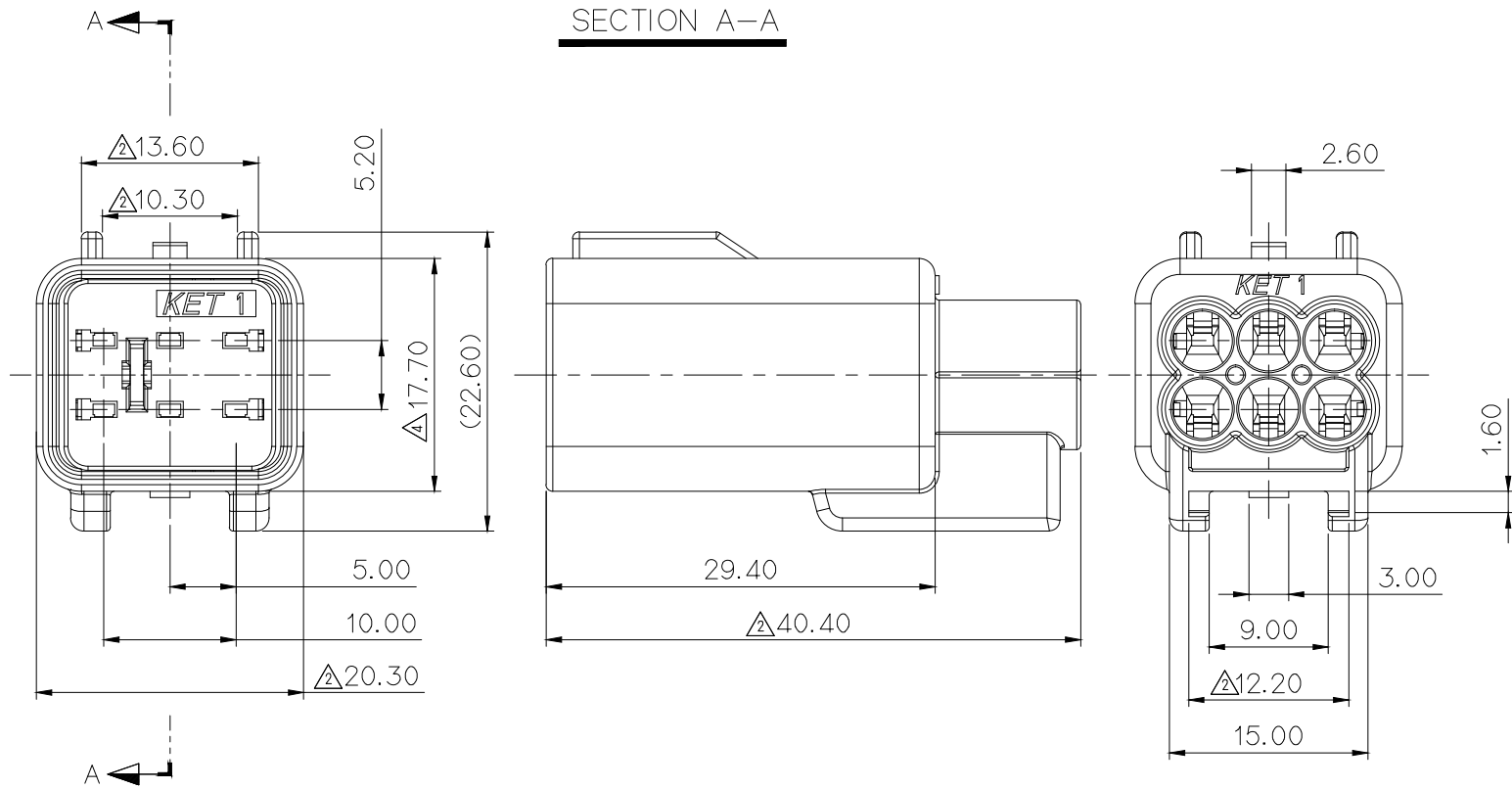
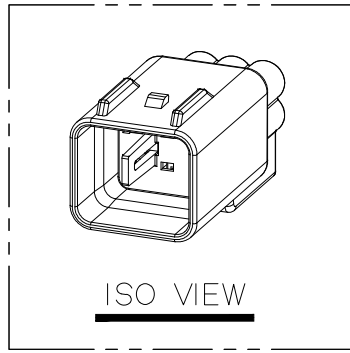
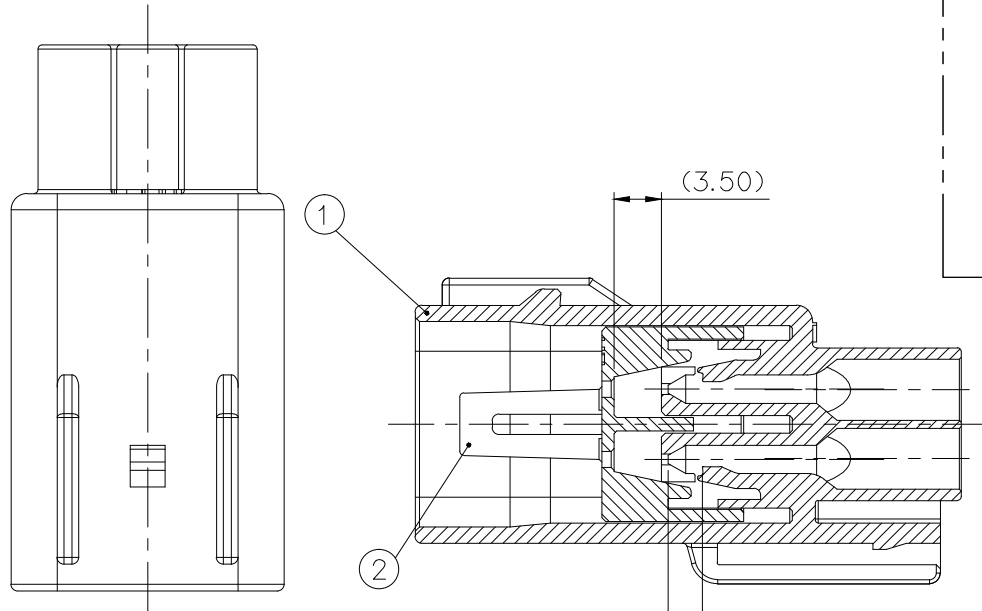


PART NO. MG655640

CUSTOMER DRAWING



GENERAL TOLERANCE (HOUSING)									USED ON
10MAX	30MAX	50MAX	70MAX	100MAX	120MAX	250MAX	250VR	ANGLE	
±0.15	±0.20	±0.30	±0.40	±0.50	±0.75	±0.90	±1.40	±30'	

NOTE

- MUST BE FREE OF BURR, WELDLINE AND IMPERFECTION THAT AFFECT FUNCTION.
- APPLICABLE TERMINAL : ΔST741341, 1342-3
APPLICABLE WIRE SEAL : ΔMG685390/5391/5392/5393
APPLICABLE DUMMY SEAL : MG685394
- MATCHING CONNECTOR : MG645579
- 6 HAZARDOUS SUBSTANCES IN PARTS (LEAD, MERCURY, CADMIUM, HEXAVALENT CHROMIUM, PPBs, PPDEs) SHALL NOT EXCEED THE MAXIMUM PERMISSIBLE CONCENTRATION PRESCRIBED UNDER EU ELV DIRECTIVE & RoHS REGULATION.

주 기

- 기능상 유해한 BURR 및 WELDLINE 등이 없을 것.
- 적용 TERMINAL : ΔST741341, 1342-3
적용 WIRE SEAL : ΔMG685390/5391/5392/5393
적용 DUMMY SEAL : MG685394
- 상대 CONNECTOR : MG645579
- 제품내 함유된 6대 유해물질 (납, 수은, 카드뮴, 6가크롬, PBBs, PBDEs)은 EU ELV 지침 및 RoHS 법규에서 지정한 최대 허용 농도를 초과해서는 안된다.

ISSUE MARK

APPROVED

2016-03-11

**KOREA ELECTRIC
TERMINAL CO., LTD.
Connector Development Team 1**

NO.	PART NO.	PART NAME	MATERIAL	FINISH
①	MG675648	N060 WP 6M HOUSING	PBT	BLACK
②	MG675649	N060 WP 6M F/HOLDER	PBT	NATURAL

LTR	REVISION RECORD	DR.	CHK.	CHK.	APP.	DATE	MATERIAL	SEE TABLE	SCALE	PART NO.
4	ECO-1412-418 근거 제품도 변경 도면 현실화	RJH	HYJ	-	LSY	2015.01.06	FINISH	SEE TABLE	2/1	M655640
3	TM/L, W/Seal 사양 삭제	RJH	HYJ	-	LSY	2014.07.14	WIRE RANGE	SEE TABLE		
2	ECO-1402-260 근거 도면 제작성	SJK	KMH	CWK	HJB	2014.03.09	INSULATION			
1	ECO-1302-183 근거 도면 제작성	SJK	HYJ	HSJ		2013.02.27				
TOLERANCE EXCEPT AS NOTED							PART NAME		N060 WP 6M ASSY	

DIMENSIONS IN MM