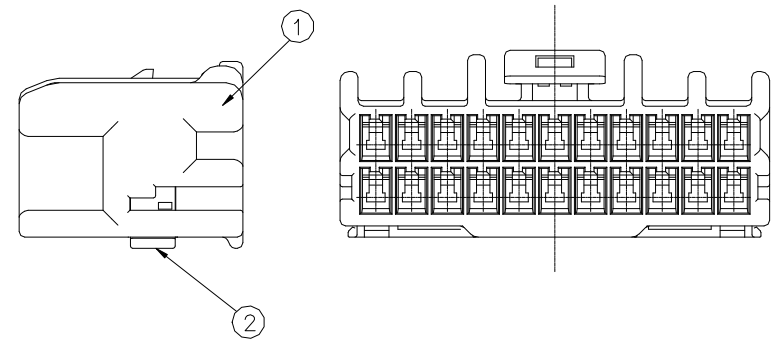
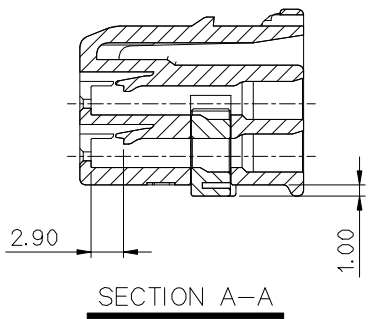
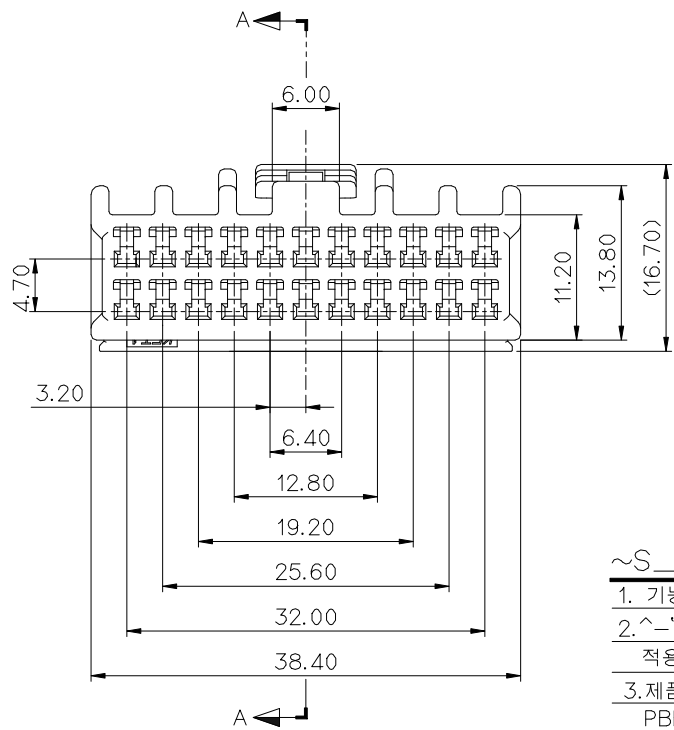


GENERAL TOLERANCE (HOUSING)							USED ON
10MAX	50MAX	100MAX	250MAX	250VR	ANGLE	ECCENT	
±0.2	±0.3	±0.55	±0.95	±1.4	±30'	0.1	

NOTE

- MUST BE FREE OF FLASH, WELDLINE AND IMPERFECTION THAT AFFECT FUNCTION.
- APPLICABLE TERMINAL : ST731334-3, ST731335-3, ST731336-3
APPLICABLE CONNECTOR : MG645635
- 6 HAZARDOUS SUBSTANCES IN PARTS (LEAD, MERCURY, CADMIUM, HEXAVALENT CHROMIUM, PBBs, PBDEs) SHALL NOT EXCEED THE MAXIMUM PERMISSIBLE CONCENTRATION PRESCRIBED UNDER EU ELV DIRECTIVE & RoHS REGULATION.



- ~S. ~!_J
- 기능상 유해한 BURR 및 WELDLINE 등이 없을 것.
 - ^-'%|^R'-|P TERMINAL : ST731334-3, ST731335-3, ST731336-3
적용 CONNECTOR : MG645635
 - 제품내 함유된 6대 유해물질 (납,수은,카드뮴,6가크롬, PBBs,PBDEs)은 EU ELV 지침 및 RoHS 법규에서 지정한 최대 허용 농도를 초과해서는 안된다.

ISSUE MARK

NO.	PART NAME	PART NO.	MATERIAL	COLOR	QTY.
1	N060 22F HOUSING	MG675639	PBT	NATURAL	1
2	N060 22P SPACER	MG675637	PBT	L/GRAY	1

MATERIAL	SEE TABLE	KET ENGINEERED	KOREA ELECTRIC TERMINAL CO., LTD.
FINISH	SEE TABLE		
WIRE RANGE		CLASS	060
INSULATION		TYPE	
LTR	REVISION RECORD	DR.	CHK.
DR.	LHS. 2012.01.27	CHK.	KMH. 2012.01.25
CHK.	CSH. 2012.01.25	APP.	HSH. 2012.01.25
TOLERANCE EXCEPT AS NOTED	SEE TABLE	SCALE	2/1
PART NAME	N060 22F ASSY		
PART NO.	MG655638		