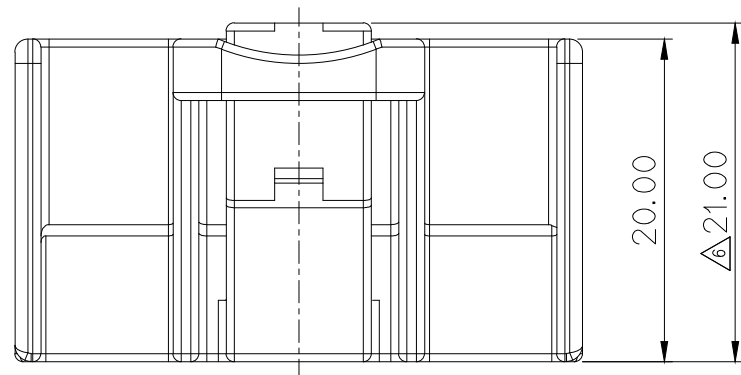


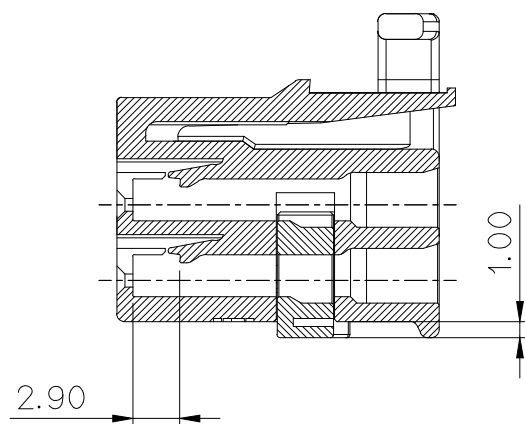
ISO VIEW



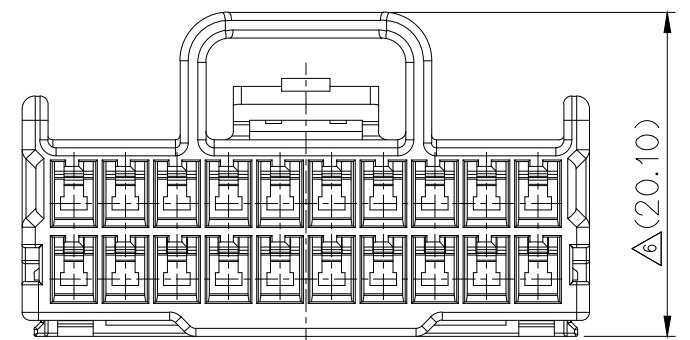
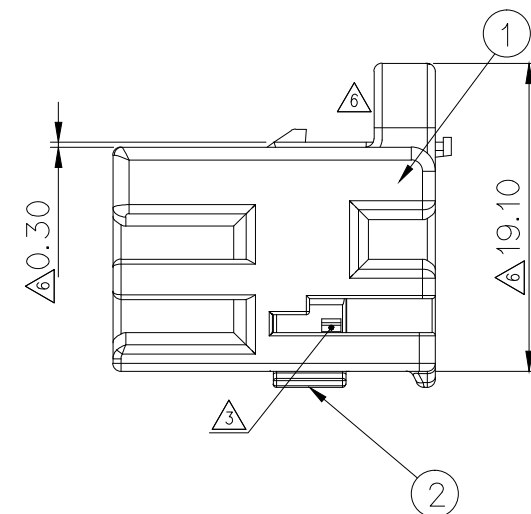
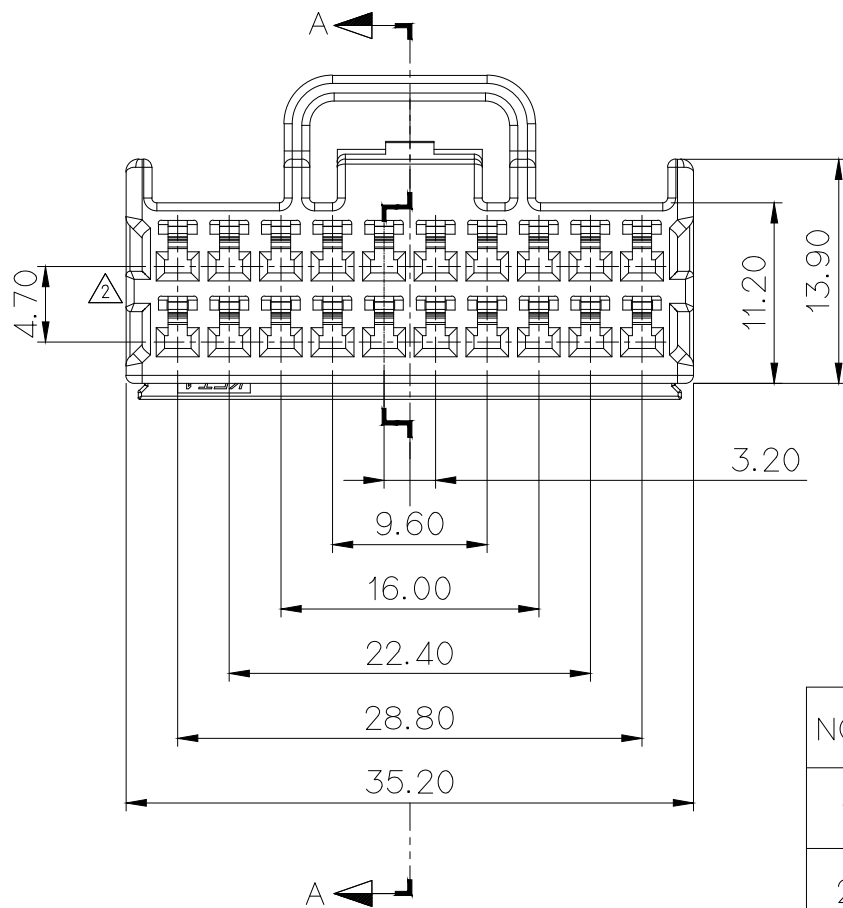
| GENERAL TOLERANCE (HOUSING) | | | | | | | USED ON |
|-----------------------------|-------|--------|--------|-------|-------|--------|---------|
| 10MAX | 50MAX | 100MAX | 250MAX | 250VR | ANGLE | ECCENT | |
| ±0.2 | ±0.3 | ±0.55 | ±0.95 | ±1.4 | ±30' | 0.1 | |

NOTE

- MUST BE FREE OF FLASH, WELDLINE AND IMPERFECTION THAT AFFECT FUNCTION.
- APPLICABLE TERMINAL : ST731334-3, ST731335-3, ST731336-3
 Δ ST731486-3, Δ ST731478-3
 APPLICABLE CONNECTOR : MG645630
- 6 HAZARDOUS SUBSTANCES IN PARTS (LEAD, MERCURY, CADMIUM, HEXAVALENT CHROMIUM, PBBs, PBDEs) SHALL NOT EXCEED THE MAXIMUM PERMISSIBLE CONCENTRATION PRESCRIBED UNDER EU ELV DIRECTIVE & RoHS REGULATION.



SECTION A-A



| NO. | MATERIAL | COLOR |
|-----|-------------|------------|
| 0 | P B T | NATURAL |
| 1 | | RED |
| 2 | | BLUE |
| 20 | | JADE |
| 3 | | YELLOW |
| 4 | | GRAY |
| 40 | | DARK GRAY |
| 41 | | LIGHT GRAY |
| 5 | | BLACK |
| 6 | | DARK GREEN |
| 7 | | BROWN |
| 8 | LIGHT GREEN | |
| 9 | MAGENTA | |
| 11 | ORANGE | |

주 기

- 기능상 유해한 BURR 및 WELDLINE 등이 없을 것.
- 적용 TERMINAL : ST731334-3, ST731335-3, ST731336-3
 Δ ST731486-3, Δ ST731478-3
 적용 CONNECTOR : MG645630
- 제품내 함유된 6대 유해물질 (납,수은,카드뮴,6가크롬, PBBs,PBDEs)은 EU ELV 지침 및 RoHS 법규에서 지정한 최대 허용 농도를 초과해서는 안된다.

| NO. | PART NAME | PART NO. | MATERIAL | COLOR | QTY. |
|-----|------------------|----------|--------------------|--------------------|------|
| 1 | N060 20F HOUSING | MG675634 | Δ SEE TABLE | Δ SEE TABLE | 1 |
| 2 | N060 20P SPACER | MG675632 | PBT | L/GRAY | 1 |

APPROVED

2021-10-22

KOREA ELECTRIC
TERMINAL CO., LTD.
Korea Electric Te
rminal Co., LTD.

ISSUE MARK

| | | | | | |
|------------|--|------|-----------------|------|-----------|
| Δ 6 | ECO-2107-044 근거 도면 제작성 | KJH | YDH | HYJ | '21.07.05 |
| Δ 5 | ECO-2004-076 근거 도면 제작성 | SDI | KSC | CJH | '20.04.03 |
| Δ 4 | ECO-1911-288 근거 도면 제작성 | SDI | CSH | CJH | '19.11.21 |
| Δ 3 | ECO-1908-053 근거 도면 제작성 | STJ | KSC | CJH | '19.08.12 |
| Δ 2 | ECO-1605-506 근거 도면 변경 (TAB 단자 삽입 부 C값 증대) | YSS | CKY | LSY | '16.05.27 |
| Δ 1 | ECO-1503-332 근거 도면 제작성 (Lever 들뜸 방지 구조 적용) | YTK | KMH | LSY | '15.03.17 |
| LTR | REVISION RECORD | DR. | CHK. | APP. | DATE |
| DR. | AJH. 2012.01.27 | CHK. | KMH. 2012.01.27 | | |
| CHK. | CSH. 2012.01.27 | APP. | HSJ. 2012.01.27 | | |

| | | |
|---------------------------|---------------|--|
| MATERIAL | SEE TABLE | KET KOREA ELECTRIC ENGINEERED TERMINAL CO., LTD. |
| FINISH | SEE TABLE | |
| WIRE RANGE | - | CLASS N060 |
| INSULATION | - | TYPE 비방수 |
| TOLERANCE EXCEPT AS NOTED | SEE TABLE | SCALE 2/1 |
| PART NAME | N060 20F ASSY | |
| | | PART NO. MG655633 |