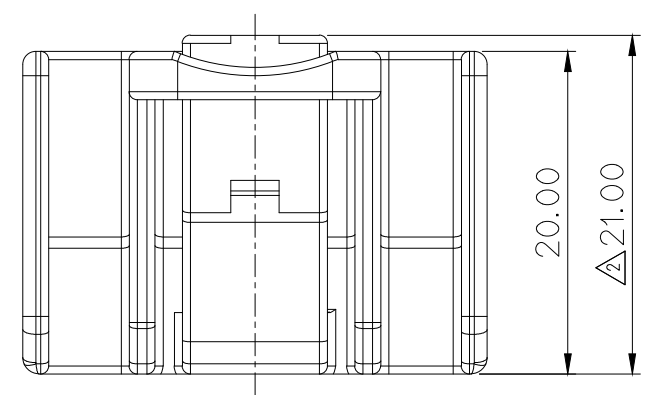


ISO VIEW



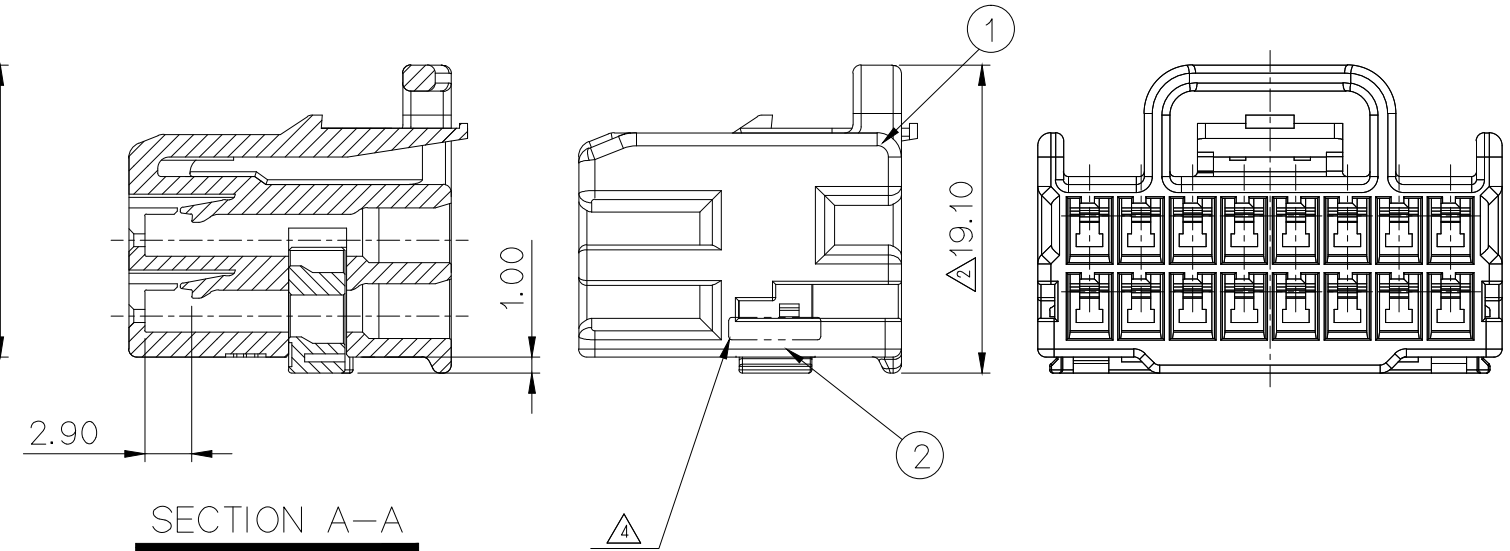
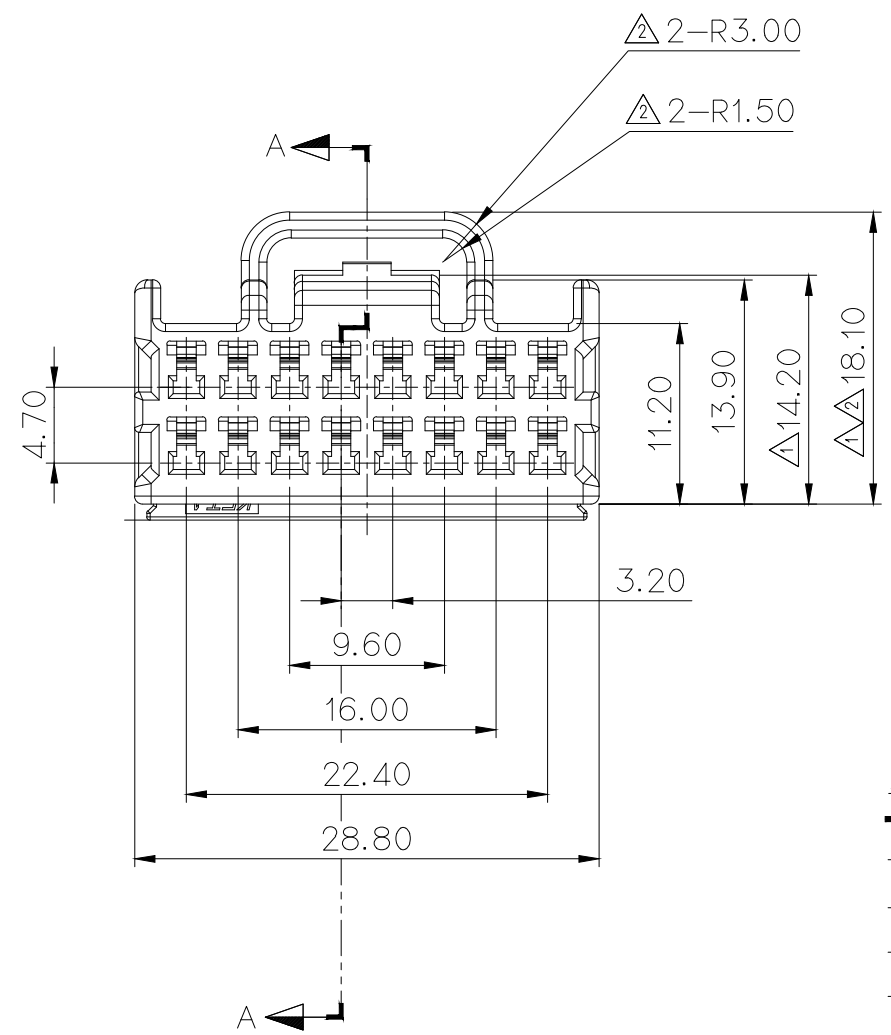
GENERAL TOLERANCE (HOUSING)

10MAX	30MAX	50MAX	70MAX	100MAX	120MAX	250MAX	250VR	ANGLE	ECCENT	USED ON
±0.15	±0.2	±0.3	±0.4	±0.5	±0.75	±0.9	±1.4	±30'	0.1	

NOTE

- MUST BE FREE OF FLASH, WELDLINE AND IMPERFECTION THAT AFFECT FUNCTION.
- APPLICABLE TERMINAL : ST731334-3, ST731335-3, ST731336-3  
APPLICABLE CONNECTOR : MG645620
- 6 HAZARDOUS SUBSTANCES IN PARTS (LEAD, MERCURY, CADMIUM, HEXAVALENT CHROMIUM, PBBs, PBDEs) SHALL NOT EXCEED THE MAXIMUM PERMISSIBLE CONCENTRATION PRESCRIBED UNDER EU ELV DIRECTIVE & RoHS REGULATION.

NO.	MATERIAL	COLOR
* 0	P B T	NATURAL
1		RED
2		BLUE
20		JADE
3		YELLOW
4		GRAY
40		DARK GRAY
41		LIGHT GRAY
3* 5		BLACK
6		DARK GREEN
7		BROWN
8	LIGHT GREEN	
9	MAGENTA	
11	ORANGE	



주 기

- 기능상 유해한 BURR 및 WELDLINE 등이 없을 것.
- 적용 TERMINAL : ST731334-3, ST731335-3, ST731336-3  
적용 CONNECTOR : MG645620
- 제품내 함유된 6대 유해물질 (납, 수은, 카드뮴, 6가크롬, PBBs, PBDEs)은 EU ELV 지침 및 RoHS 법규에서 지정한 최대 허용 농도를 초과해서는 안된다.

**APPROVED**

**2021-10-20**

**KOREA ELECTRIC  
TERMINAL CO., LTD.**  
Korea Electric Terminal Co., LTD.

ISSUE MARK

NO.	PART NAME	PART NO.	MATERIAL	COLOR	QTY.
①	N060 16F HOUSING	MG675624	SEE TABLE		1
②	N060 16P SPACER	MG675622	PBT	L/GRAY	1

④	ECO-2106-313에 근거 도면 제작성	SKM	YDH	HYJ	21.06.30	MATERIAL	SEE TABLE	<b>KET</b> KOREA ELECTRIC ENGINEERED TERMINAL CO., LTD.	
③	ECO-2003-469에 근거 도면 제작성	SKM	HYJ	CJH	20.03.30	FINISH	SEE TABLE		
②	ECO-1810-374에 근거 도면 제작성	KJC	HYJ	CJH	18.10.30	WIRE RANGE		CLASS	
①	ECO-1412-206에 근거 도면 제작성	YTK	KMH	LSY	14.12.16	INSULATION		TYPE 060	
①	검사성적서 합격에 따른 도면 제작성	WHS	KMH	HJB	14.03.11	TOLERANCE EXCEPT AS NOTED	SEE TABLE	SCALE 2/1	PART NO. MG655623
LTR	REVISION RECORD	DR.	CHK.	APP.	DATE	PART NAME 060 16F Housing			
	DR. AJH. 2012.01.27		CHK. KMH. 2012.01.27						
	CHK. CSH. 2012.01.27		APP. HSH. 2012.01.27						