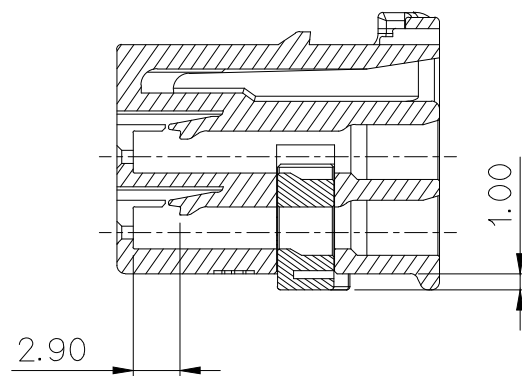
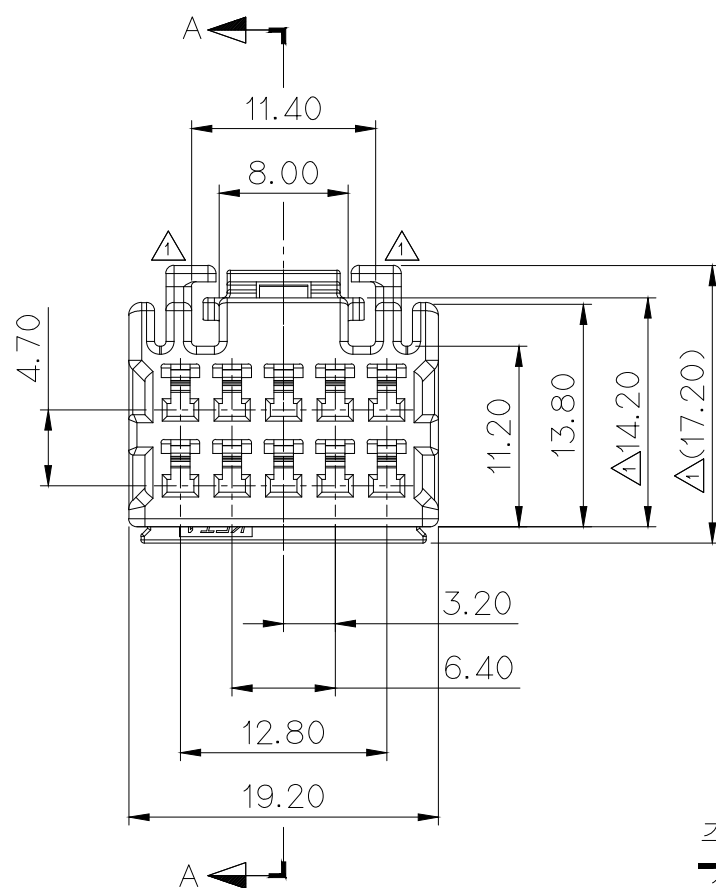
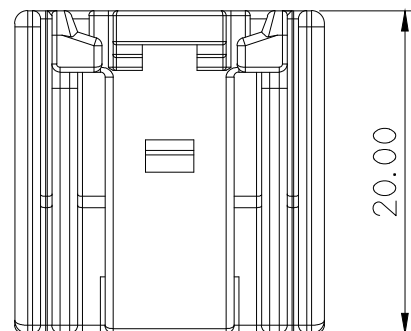


ISO VIEW



SECTION A-A

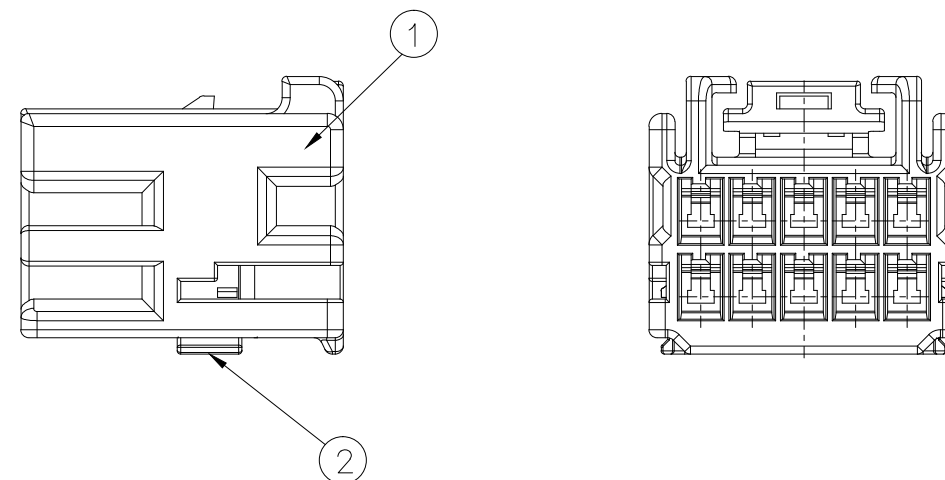
NO.	PART NAME	PART NO.	MATERIAL	COLOR	QTY.
1	N060 10F HOUSING	MG675609	PBT	NATURAL	1
2	N060 10P SPACER	MG675607	PBT	L/GRAY	1

GENERAL TOLERANCE (HOUSING)

10MAX	30MAX	50MAX	70MAX	100MAX	120MAX	250MAX	250VR	ANGLE	ECCENT	USED ON
±0.15	±0.2	±0.3	±0.4	±0.5	±0.75	±0.9	±1.4	±30'	0.1	

NOTE

- MUST BE FREE OF FLASH, WELDLINE AND IMPERFECTION THAT AFFECT FUNCTION.
- APPLICABLE TERMINAL : ST731334-3, ST731335-3, ST731336-3  
APPLICABLE CONNECTOR : MG645605
- 6 HAZARDOUS SUBSTANCES IN PARTS (LEAD, MERCURY, CADMIUM, HEXAVALENT CHROMIUM, PBBs, PBDEs) SHALL NOT EXCEED THE MAXIMUM PERMISSIBLE CONCENTRATION PRESCRIBED UNDER EU ELV DIRECTIVE & RoHS REGULATION.



주 기

- 기능상 유해한 BURR 및 WELDLINE 등이 없을 것.
- 적용 TERMINAL : ST731334-3, ST731335-3, ST731336-3  
적용 CONNECTOR : MG645605
- 제품내 함유된 6대 유해물질 (납, 수은, 카드뮴, 6가크롬, PBBs, PBDEs)은 EU ELV 지침 및 RoHS 법규에서 지정한 최대 허용 농도를 초과해서는 안된다.

**APPROVED**

**2016-03-07**

**KOREA ELECTRIC  
TERMINAL CO., LTD.  
Connector Development  
Team 1**

ISSUE MARK

MATERIAL	SEE TABLE	<b>KET</b> KOREA ELECTRIC <b>ENGINEERED</b> TERMINAL CO., LTD.
FINISH	SEE TABLE	
WIRE RANGE		CLASS 060
INSULATION		TYPE
TOLERANCE EXCEPT AS NOTED	SEE TABLE	SCALE 2/1
PART NAME	N060 10F ASSY	
DR. AJH. 2012.02.14	CHK. KMH. 2012.02.14	PART NO. MG655608
CHK. CSH. 2012.02.15	APP. HSH. 2012.02.16	