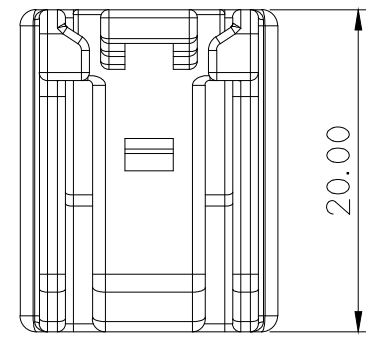
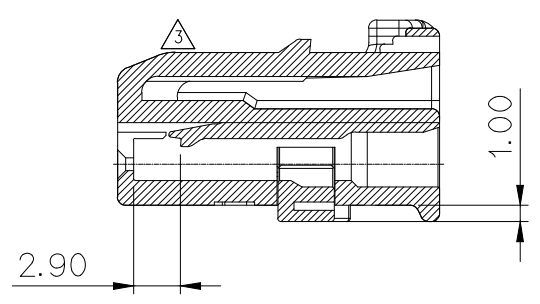
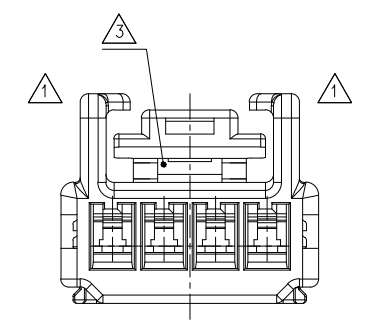
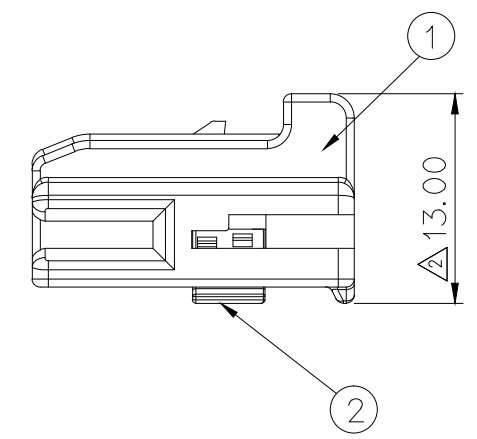
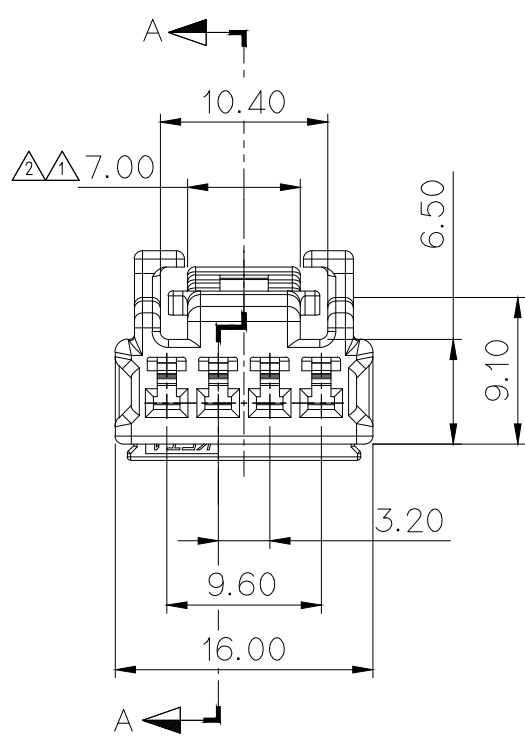


ISO VIEW



20.00

NO.	MATERIAL	COLOR
* 0	P B T:	NATURAL
1		RED
2		BLUE
20		JADE
3		YELLOW
4		GRAY
40		DARK GRAY
41		LIGHT GRAY
△ 5 *		BLACK
6		DARK GREEN
7		BROWN
8	LIGHT GREEN	
9	MAGENTA	
11	ORANGE	



SECTION A-A

NO.	PART NAME	PART NO.	MATERIAL	COLOR	QTY.
1	N060 4F HOUSING	MG675599	SEE TABLE	SEE TABLE	1
2	N060 4P SPACER	MG675597	PBT	L/GRAY	1

△ GENERAL TOLERANCE (HOUSING)										USED ON
10MAX	30MAX	50MAX	70MAX	100MAX	120MAX	250MAX	250VR	ANGLE	ECCENT	
±0.15	±0.2	±0.3	±0.4	±0.5	±0.75	±0.9	±1.4	±30'	0.1	

NOTE

- MUST BE FREE OF FLASH, WELDLINE AND IMPERFECTION THAT AFFECT FUNCTION.
- APPLICABLE TERMINAL : ST731334-3, ST731335-3, ST731336-3  
APPLICABLE CONNECTOR : MG645595
- 6 HAZARDOUS SUBSTANCES IN PARTS (LEAD, MERCURY, CADMIUM, HEXAVALENT CHROMIUM, PBBs, PBDEs) SHALL NOT EXCEED THE MAXIMUM PERMISSIBLE CONCENTRATION PRESCRIBED UNDER EU ELV DIRECTIVE & RoHS REGULATION.

주 기

- 기능상 유해한 BURR 및 WELDLINE 등이 없을 것.
- 적용 TERMINAL : ST731334-3, ST731335-3, ST731336-3  
적용 CONNECTOR : MG645595
- 제품내 함유된 6대 유해물질 (납, 수은, 카드뮴, 6가크롬, PBBs, PBDEs)은 EU ELV 지침 및 RoHS 법규에서 지정한 최대 허용 농도를 초과해서는 안된다.

**APPROVED**  
**2021-01-07**  
KOREA ELECTRIC  
TERMINAL CO., LTD.  
Korea Electric Terminal Co., LTD.

ISSUE MARK

△ 5	ECO-2003-469 근거 도면 재작성	SDI	KSC	CJH	'20.04.01
△ 4	ECO-1703-384 근거 도면 재작성 (일반공차 테이블 업데이트)	CHW		SUK	'17.03.28
△ 3	ECO-1702-160 근거 도면 재작성	JCM	LIM	SUK	'17.02.09
△ 2	ECO-1611-234 근거 도면 재작성	JCM	LIM	SUK	'16.11.11
△ 1	ECO-1608-191 근거 도면 재작성	JCM	LIM	SUK	'16.08.18
△ 0	검사성적서 합격에 따른 도면 재작성	KMH	KMH	HJB	'14.03.11
LTR	REVISION RECORD	DR.	CHK.	APP.	DATE
DR.	AJH. 2012.02.14	CHK.	KMH. 2012.02.14		
CHK.	CSH. 2012.02.14	APP.	HSJ. 2012.02.14		

MATERIAL	SEE TABLE	<b>KET</b> KOREA ELECTRIC ENGINEERED TERMINAL CO., LTD.
FINISH	SEE TABLE	
WIRE RANGE		CLASS 060
INSULATION		TYPE
TOLERANCE EXCEPT AS NOTED	SEE TABLE	SCALE 2/1
PART NAME	N060 4F ASSY	
PART NO.	MG655598	