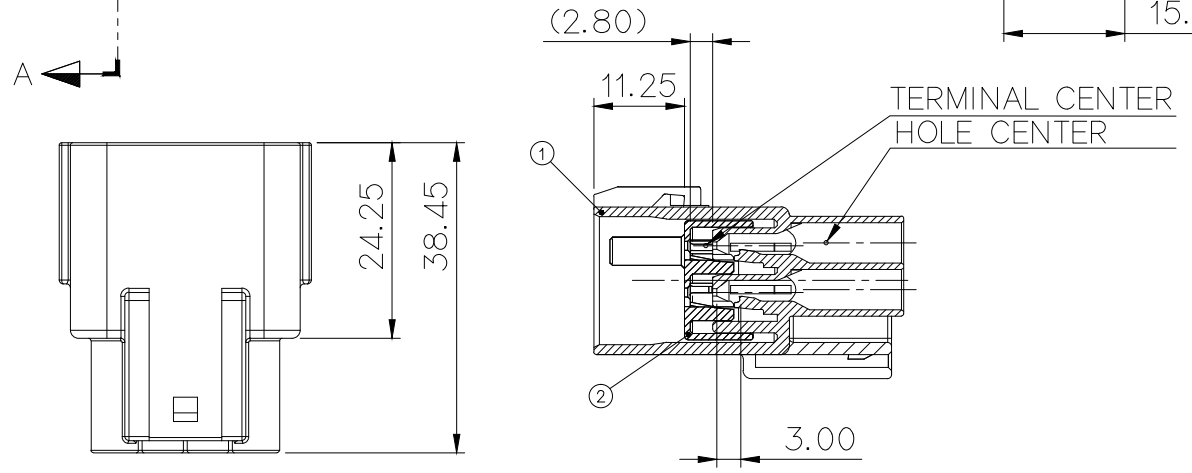
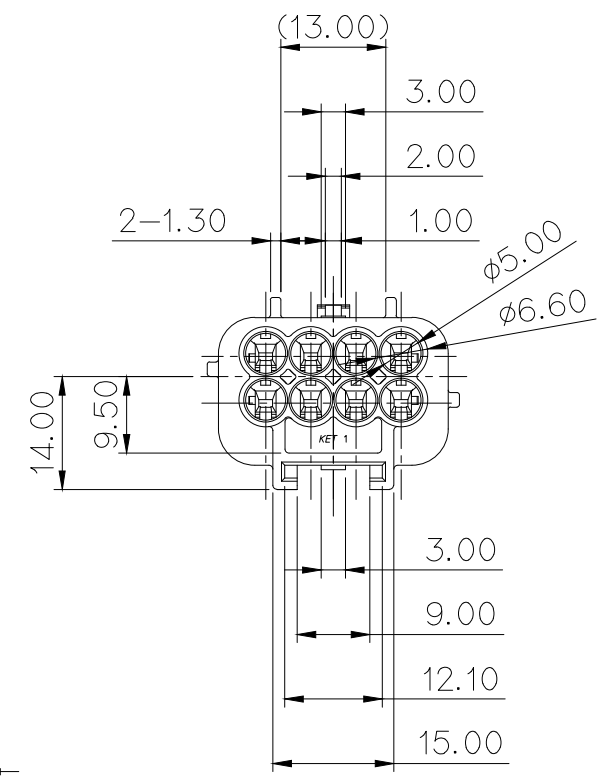
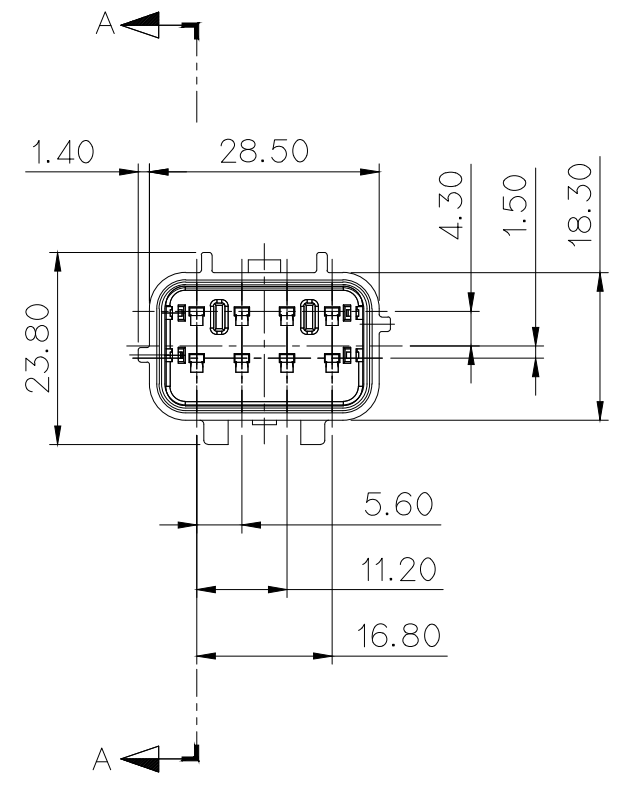
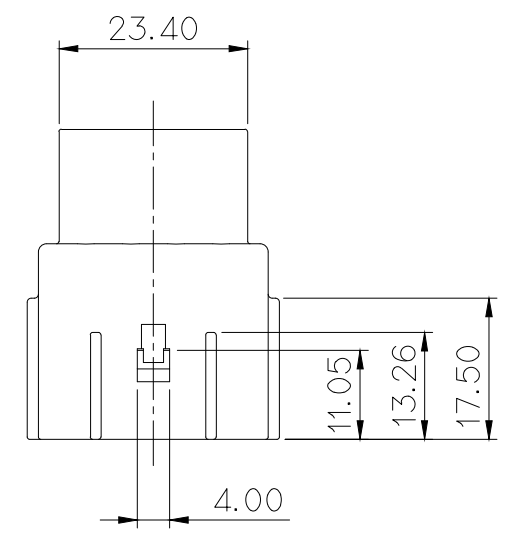


ISO VIEW



SECTION A-A

GENERAL TOLERANCE (HOUSING)							USED ON
10MAX	50MAX	100MAX	250MAX	250VR	ANGLE	ECCENT	
±0.2	±0.3	±0.55	±0.95	±1.4	±30'	0.1	

NOTE

- MUST BE FREE OF BURR, WELDLINE AND IMPERFECTION THAT AFFECT FUNCTION.
- APPLICABLE TERMINAL : ST741276, 1277, 1278(0.80T)
 TERMINAL : ST741334, 1335, 1336(0.64T)
 WIRE SEAL : MG683894, 3895, 3896, 3897
 DUMMY SEAL : MG683898
 CLIP : MG631471, 2019, 1267, 1929, 1268
 FEMALE ASSY : MG645450-5
- 6 HAZARDOUS SUBSTANCES IN PARTS (LEAD, MERCURY, CADMIUM, HEXAVALENT CHROMIUM, PBBs, PBDEs) SHALL NOT EXCEED THE MAXIMUM PERMISSIBLE CONCENTRATION PRESCRIBED UNDER EU ELV DIRECTIVE & RoHS REGULATION.

주 기

- 기능상 유해한 BURR 및 WELDLINE 등이 없을 것.
- 적용 TERMINAL : ST741276, 1277, 1278(0.80T)
 ST741334, 1335, 1336(0.64T)
 WIRE SEAL : MG683894, 3895, 3896, 3897
 DUMMY SEAL : MG683898
 CLIP : MG631471, 2019, 1267, 1929, 1268
 FEMALE ASSY : MG645450-5
- 제품내 함유된 6대 유해물질 (납, 수은, 카드뮴, 6가크롬, PBBs, PBDEs)은 EU ELV 지침 및 RoHS 법규에서 지정한 최대 허용 농도를 초과해서는 안 된다.

APPROVED
 2016-02-16
 KOREA ELECTRIC
 TERMINAL CO., LTD.
 Product Development Team 1

ISSUE MARK

NO.	PART NO.	PART NAME	MATERIAL	FINISH
①	MG675448	060 WP 8M HOUSING	PBT	BLACK
②	MG675449	060 WP 8M FRONT HOLDER	PBT	NATURAL

					MATERIAL	SEE TABLE	KOREA ELECTRIC TERMINAL CO., LTD.		
					FINISH	SEE TABLE			
					WIRE RANGE		CLASS 060		
					INSULATION		TYPE WP		
LTR		REVISION RECORD	DR.	CHK.	APP.	DATE	TOLERANCE EXCEPT AS NOTED	SCALE 1/1	PART NO. MG655447
DR.	JSY	2011.07.22		CHK.					
CHK.	CWK	07/22		APP.	KKJ	07/22			
							PART NAME	060 WP 8M ASSY	