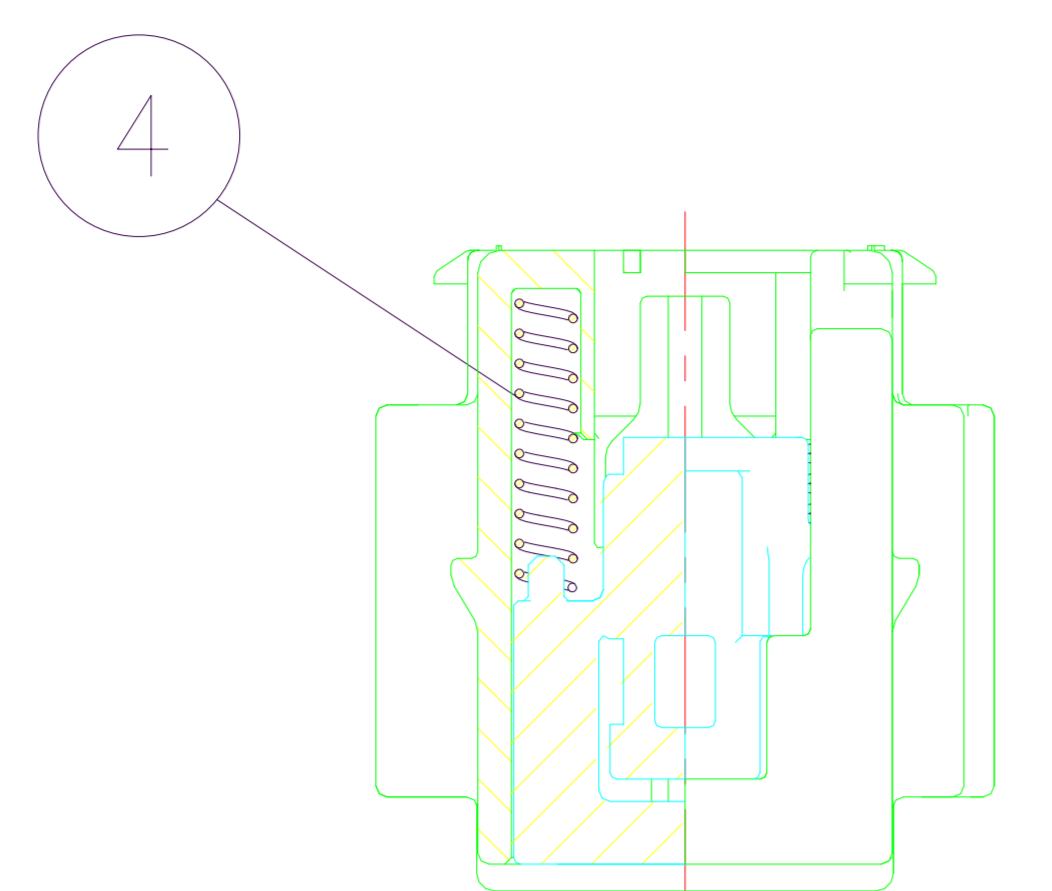
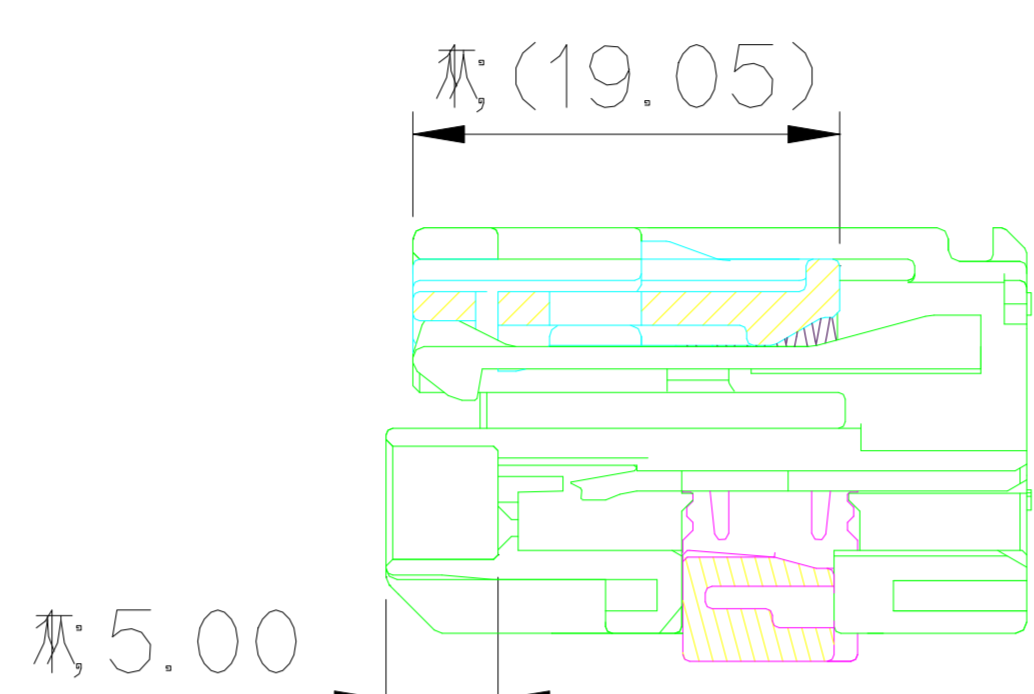


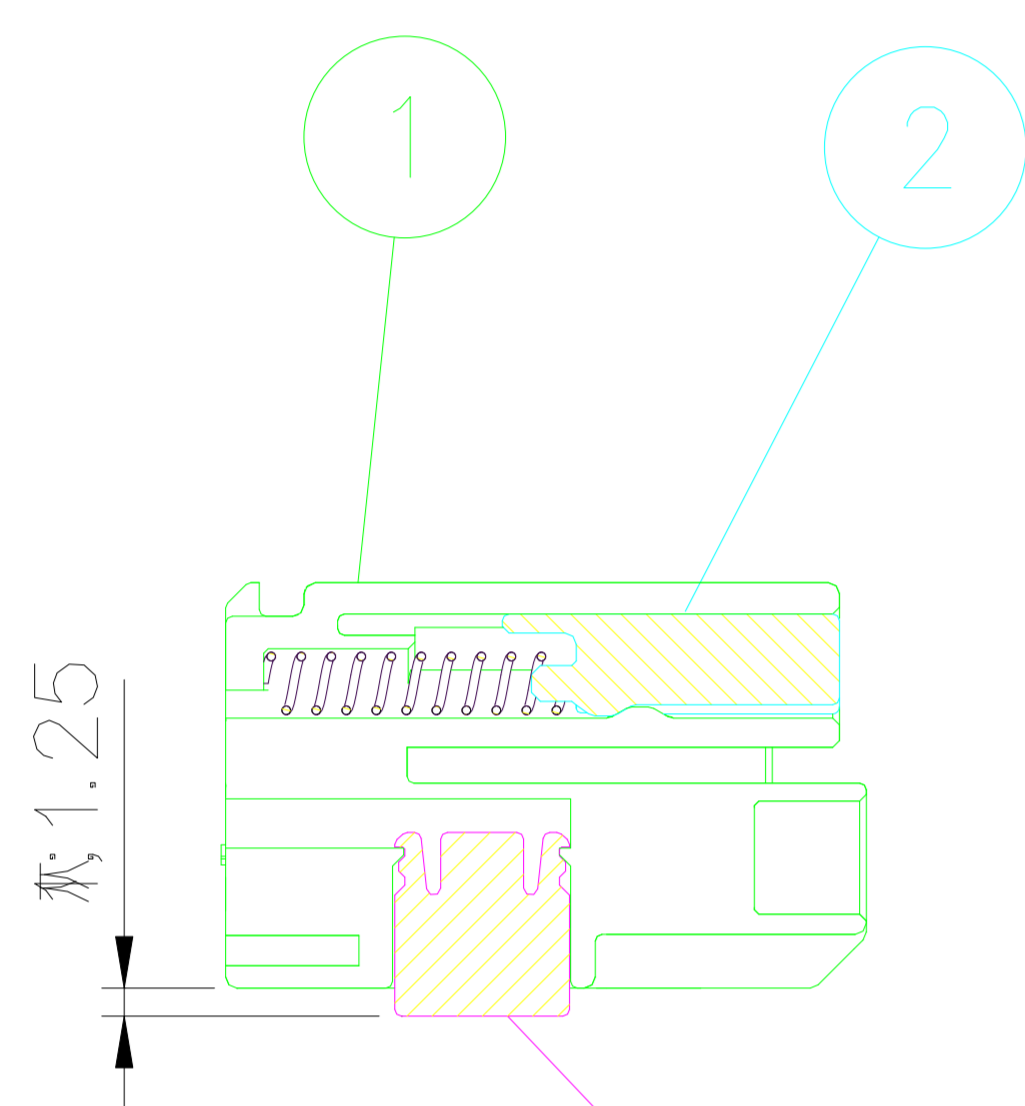
ISO VIEW



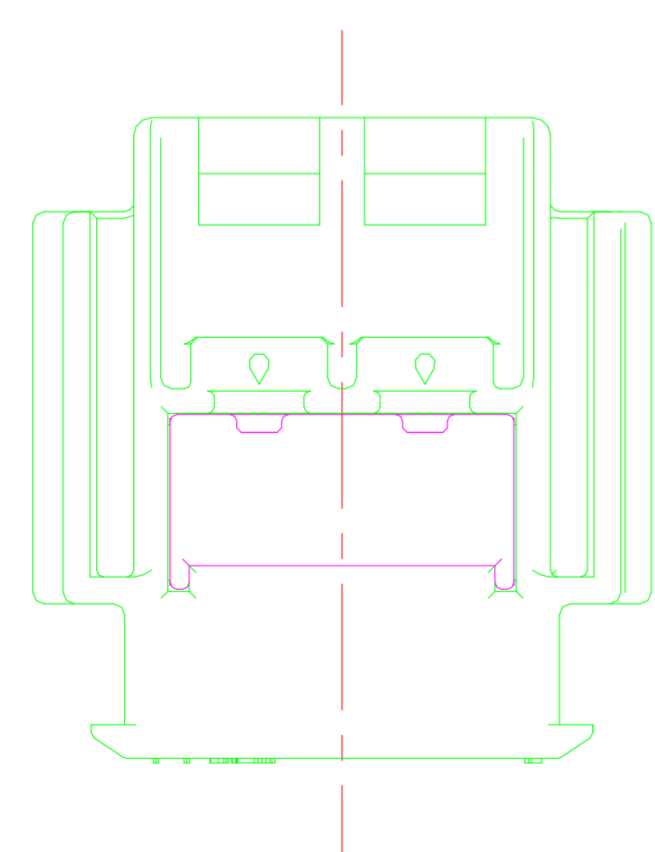
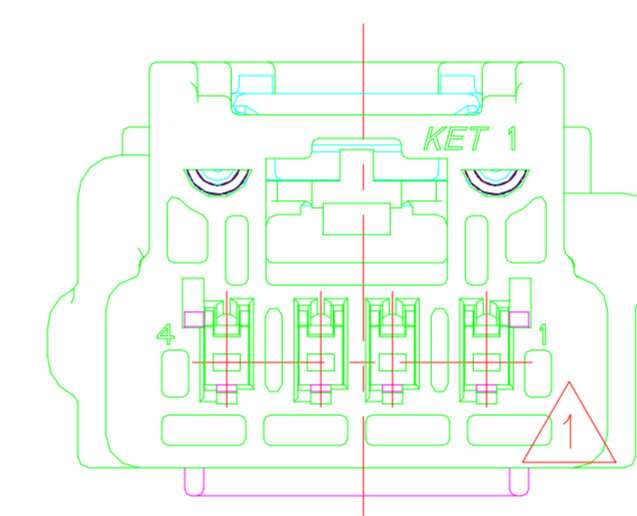
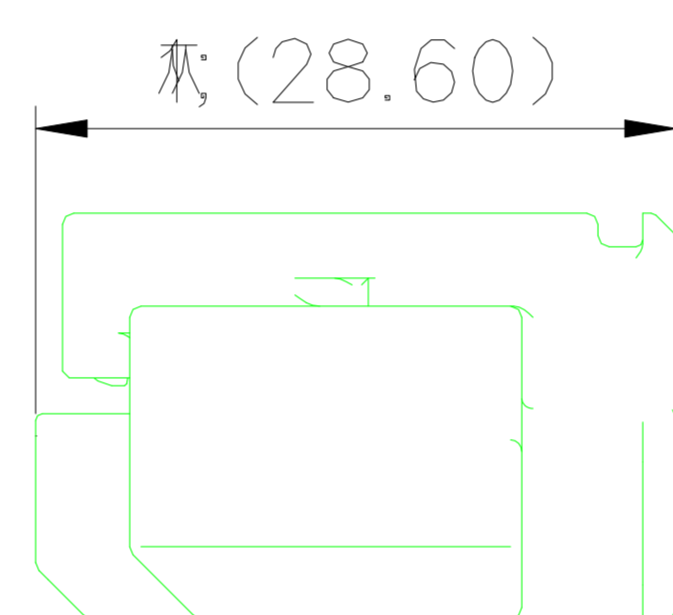
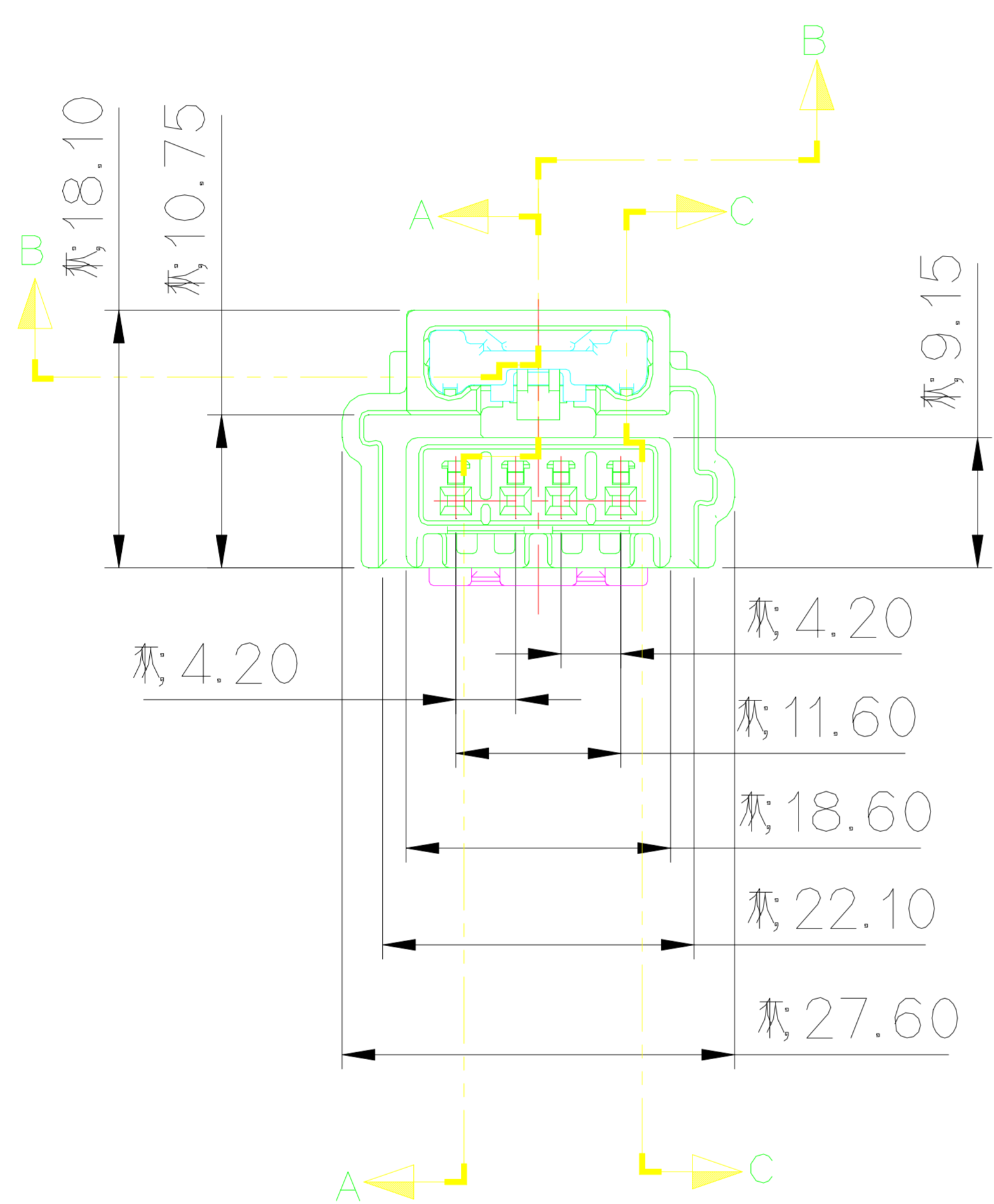
SECTION B-B



SECTION A-A



SECTION C-C



GENERAL TOLERANCE (HOUSING)

10MAX	50MAX	100MAX	250MAX	250VR	ANGLE	ECCENT	USED ON
±0.2	±0.3	±0.55	±0.95	±1.4	±30'	0.1	

주 기

1. 지시하지 않은 반경 R은 0.3로 한다
2. 기능상 유해한 BURR 및 WELDLINE등이 없을것.
3. 적용 TERMINAL : 7116-4231-08,7116-4233-08
4. 본 부품은 7282-6134-70과 조립된다.
5. 6 HAZARDOUS SUBSTANCES IN PARTS (LEAD, MECURY, CADMIUM, HEXAVALENT CHROMIUM, PBBs, PBDEs) SHALL NOT EXCEED THE MAXIMUM PERMISSIBLE CONCENTRATION PRESCRIBED UNDER EU ELV DIRECTIVE.

NOTE

1. UNLESS OTHERWISE SPECIFIED ALL RADIUS TO BE 0.3 RADIUS.
2. MUST BE FREE OF FLASH, SINK AND IMPERFECTION THAT AFFECT FUNCTION.
3. APPLICABLE TERMINAL NO. : 7116-4231-08,7116-4233-08
4. THIS PART ASSEMBLES 7282-5524-70
5. 제품내 함유된 6대 유해물질 (납, 수은, 카드뮴, 6가 크롬, PBBs, PBDEs)은 EU ELV 지침 및 RoHS 법규에서 지정한 최대 허용 농도를 초과해서는 안된다.

ISSUE MARK

NO.	PART NAME	PART NO.	MATERIAL	FINISH
1	AIRBAG 040III 4F HOUSING	MG675421	HPA	YELLOW
2	AIRBAG 040III 4F SLIDER	MG675422	HPA	YELLOW
3	AIRBAG 040III 4F SPACER	MG675423	HPA	NATURAL
4	AIRBAG 040III 4F SPRING	R602362	SUS	-

LTR		REVISION RECORD		DR.	CHK.	APP.	DATE	MATERIAL	SEE TABLE	KOREA ELECTRIC TERMINAL CO., LTD.	
DR.		JYS 11.04.04		CHK.				FINISH	SEE TABLE		
CHK.				APP.		KKJ 11.04.04		WIRE RANGE		CLASS	040
								INSULATION		TYPE	NWP
								TOLERANCE EXCEPT AS NOTED	SEE TABLE	SCALE	1/1
								PART NAME	AIRBAG 040III 4F ASSY		
										PART NO.	MG655420