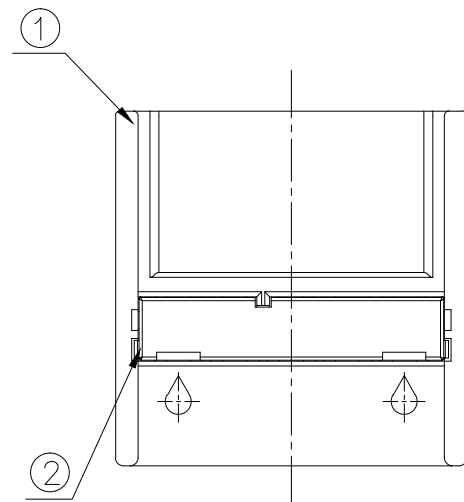
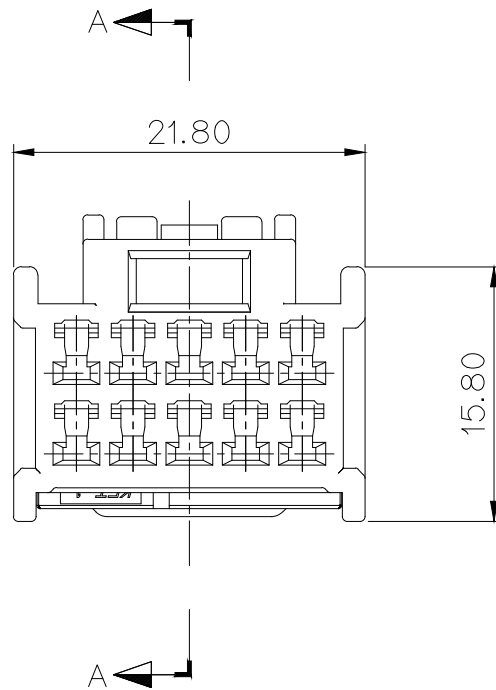
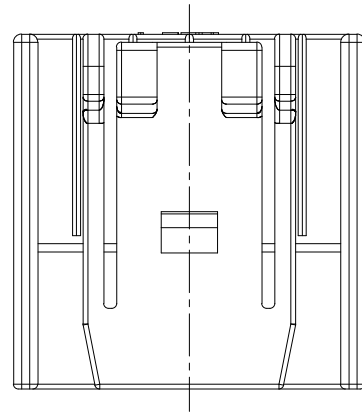
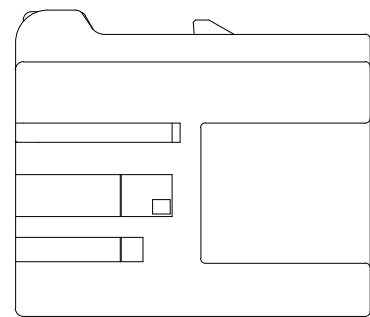
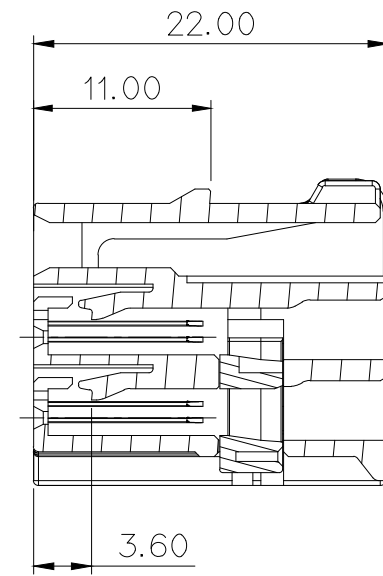


ISO VIEW

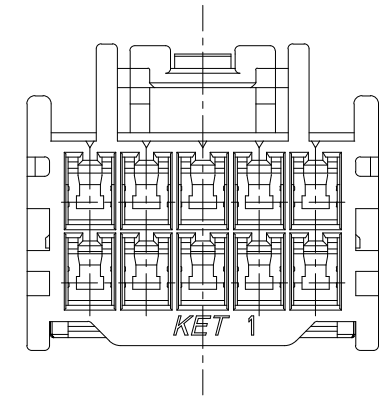


GENERAL TOLERANCE (HOUSING)							USED ON
10MAX	50MAX	100MAX	250MAX	250VR	ANGLE	ECCENT	
±0.2	±0.3	±0.55	±0.95	±1.4	±30'	0.1	

NO.	PART NAME	PART NO.	MATERIAL	COLOR	QTY.
1	060 10F HOUSING	MG675176	PBT	NATURAL	1
2	060 10F SPACER	MG675177-3	PBT	YELLOW	1



SECTION A-A



주 기

- 적용 TERMINAL : ST731267-3, 731268-3, 731269-3
- 적용 CONNECTOR : MG645172
- 제품내 함유된 6대 유해물질 (납,수은,카드뮴,6가크롬, PBBs, PBDEs)은 EU ELV 지침 및 RoHS 법규에서 지정한 최대 허용 농도를 초과해서는 안된다.

APPROVED

2018-12-11

**KOREA ELECTRIC
TERMINAL CO., LTD.
Product Development Team 1**

ISSUE MARK

					MATERIAL	SEE TABLE	KET KOREA ELECTRIC ENGINEERED TERMINAL CO., LTD.	
					FINISH	SEE TABLE		
					WIRE RANGE	CLASS	060	
					INSULATION	TYPE		
LTR	REVISION RECORD	DR.	CHK.	APP.	DATE	TOLERANCE EXCEPT AS NOTED	SCALE 2/1	PART NO. MG655175
		DR.	CHK.			PART NAME	060 10F ASS'Y	
		CHK.	APP.					