

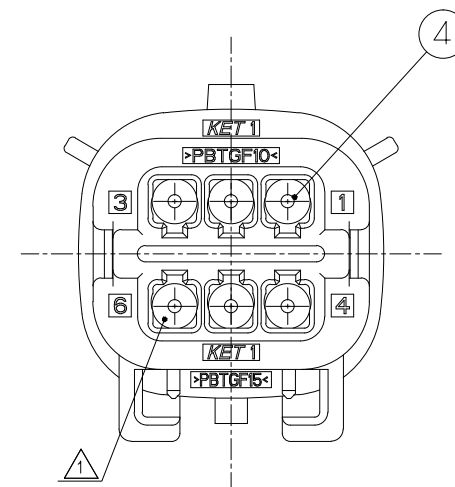
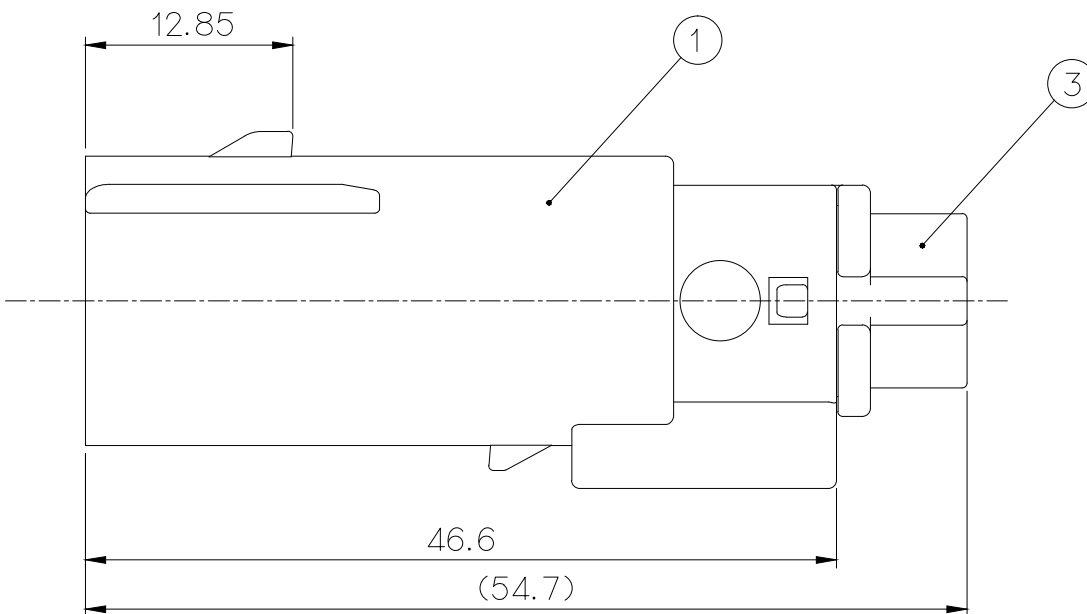
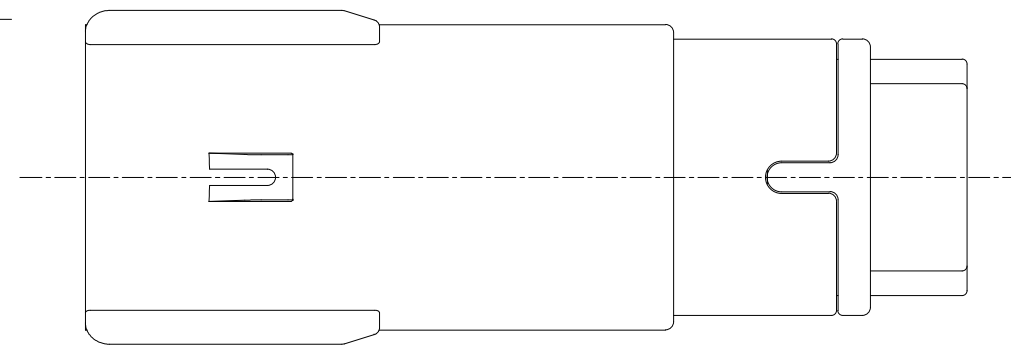
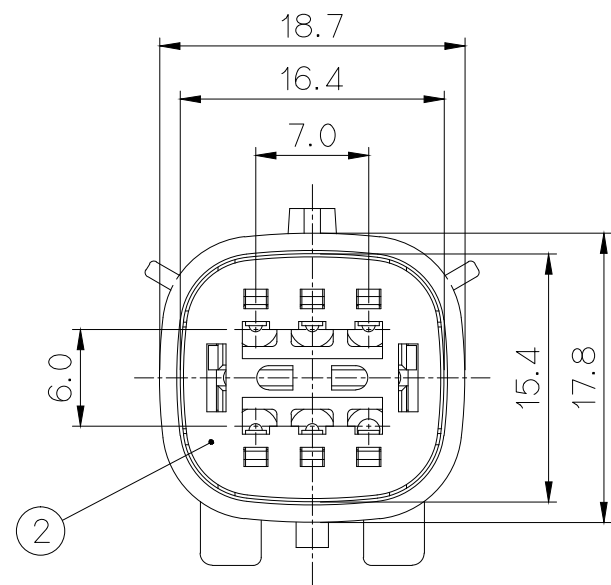
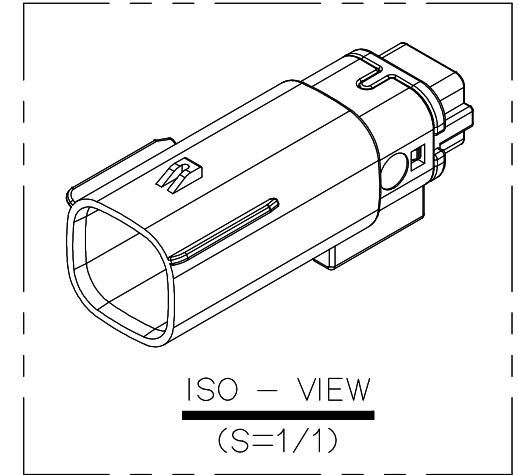
**NOTE**

1. UNLESS OTHERWISE SPECIFIED ALL RADIUS TO BE 0.5 RADIUS.
2. UNLESS OTHERWISE SPECIFIED ALL CHAMFER TO BE 0.5 RADIUS.
3. MUST BE FREE OF FLASH AND IMPERFECTION THAT AFFECT FUNCTION.
4. APPLICABLE TERMINAL : MOELX[33000-0002]
5. 6 HAZARDOUS SUBSTANCES IN PARTS (LEAD, MERCURY, CADMIUM, HEXAVALENT CHROMIUM, PPBs, PPDEs) SHALL NOT EXCEED THE MAXIMUM PERMISSIBLE CONCENTRATION PRESCRIBED UNDER EU ELV DIRECTIVE & RoHS REGULATION.
6. MATING FEMALE ASSY : MG645107

**주 기**

1. 지시하지 않은 반경 R은 0.5로 한다
2. 지시하지 않은 모따기 C는 0.5로 한다.
3. 기능상 유해한 FLASH 또는 변형이 없을 것.
4. 적용 TERMINAL : MOELX[33000-0002]
5. 제품내 함유된 6대 유해물질 (납,수은,카드뮴,6가크롬, PBBs, PBDEs)은 EU ELV 지침 및 RoHS 법규에서 지정한 최대 허용 농도를 초과해서는 안된다.
6. 적용 FEMALE ASSY : MG645107

GENERAL TOLERANCE (HOUSING)							USED ON
10MAX	50MAX	100MAX	250MAX	250VR	ANGLE	ECCENT	
±0.2	±0.3	±0.55	±0.95	±1.4	±30'	0.1	



NO.	MATERIAL	COLOR
0	PBT GF15	NATURAL
1		RED
2		BLUE
20		JADE
3		YELLOW
4		GRAY
40		DARK GRAY
41		LIGHT GRAY
5		BLACK
6		DARK GREEN
7		BROWN
8	LIGHT GREEN	
9	MAGENTA	
11	ORANGE	

**APPROVED**

**2020-12-24**

**KOREA ELECTRIC  
TERMINAL CO., LTD.  
Korea Electric Te  
rminal Co., LTD.**

ISSUE MARK

NO.	PART NAME	PART NO.	MATERIAL	COLOR	QTY.
1	150 WP 6M HOUSING	MG675112	SEE TABLE	SEE TABLE	1
2	150 WP 6M TPA	MG675113	PBT-GF10	NATURAL	1
3	150 WP 6M REAR HOLDER	MG675114	PBT-GF10	BLACK	1
4	150 WP 6M FAMILY SEAL	R602288	SILICONE	GREEN	1

						MATERIAL	SEE TABLE	<b>KET</b> KOREA ELECTRIC ENGINEERED TERMINAL CO., LTD.	
						FINISH	SEE TABLE		
						WIRE RANGE	—	CLASS	150 WP
						INSULATION	—	TYPE	—
△	ECO-1907-028 근거 도면 재작성	STJ	HYJ	CJH	19.07.02	SCALE	2/1	PART NO.	MG655111
LTR	REVISION RECORD	DR.	CHK.	APP.	DATE	TOLEBRANCE EXCEPT AS NOTED	SEE TABLE	PART NAME	
DR.	LTG. 2012.01.04	CHK.				150 WP 6M ASSY			
CHK.	HEM 01/09	APP.	HSH		01/09				