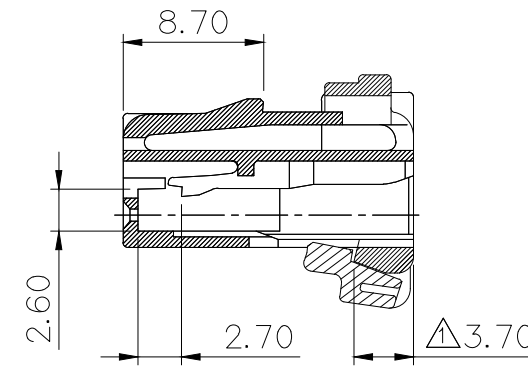


GENERAL TOLERANCE (HOUSING)							USED ON
10MAX	50MAX	100MAX	250MAX	250VR	ANGLE	ECCENT	
±0.2	±0.3	±0.55	±0.95	±1.4	±30'	0.1	

NO.	PART NO.	PART NAME	MATERIAL	FINISH
①	MG673606	040III 7F HOUSING	PBT	NATURAL
②	MG673607	040III 7F REAR HOLDER	PBT	NATURAL

**주 기**

- 기능상 유해한 FLASH, WELDLINE, 결함 등이 없을 것.
- 적용 TERMINAL : ST730770, 730960
- 제품내 함유된 6대 유해물질 (납, 수은, 카드뮴, 6가 크롬, PBBs, PBDEs)은 EU ELV 지침 및 RoHS 법규에서 지정한 최대 허용 농도를 초과해서는 안된다.



SECTION A-A

**NOTE**

- MUST BE FREE OF FLASH, WELDLINE AND IMPERFECTION THAT AFFECT FUNCTION.
- APPLICABLE TERMINAL : ST730770, 730960
- 6 HAZARDOUS SUBSTANCES IN PARTS (LEAD, MERCURY, CADMIUM, HEXAVALENT CHROMIUM, PBDEs) SHALL NOT EXCEED THE MAXIMUM PERMISSIBLE CONCENTRATION PRESCRIBED UNDER EU ELV DIRECTIVE & RoHS REGULATION.

**APPROVED**  
 2018-12-11  
 KOREA ELECTRIC  
 TERMINAL CO., LTD.  
 Korea Electric Terminal Co., LTD.

ISSUE MARK

		MATERIAL		SEE TABLE		KOREA ELECTRIC	
		FINISH		SEE TABLE		TERMINAL CO., LTD.	
		WIRE RANGE				CLASS 040III	
		INSULATION				TYPE	
△ 설계시양변경(S060302)근거 도면 제작성 (HOLDER 체결 GUIDE 폭변경) LTR REVISION RECORD		DR. KBS	CHK.	APP.	DATE	TOLERANCE EXCEPT AS NOTED	
DR. KYM 05.09.12		CHK. HSH			8/31	SCALE 2/1	PART NO. MG653605
CHK.		APP. KKJ			9/1	PART NAME 040III 7F ASSY	

