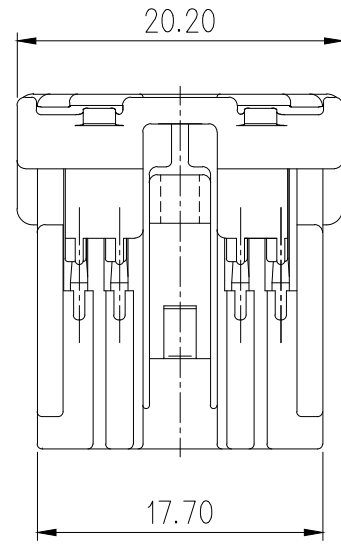


GENERAL TOLERANCE (HOUSING)							USED ON
10 MAX	50 MAX	100 MAX	250 MAX	250 VR	ANGLE	ECCENT	
±0.2	±0.3	±0.55	±0.95	±1.4	±30'	0.1	



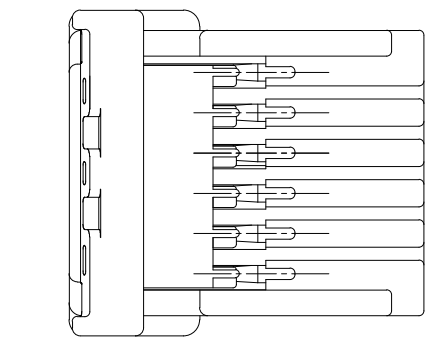
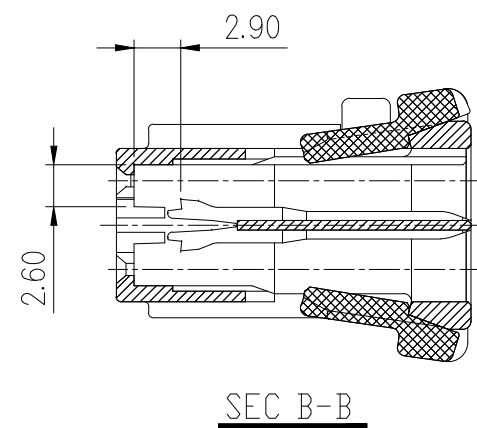
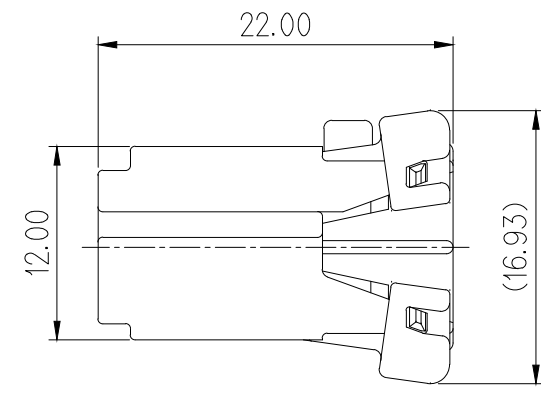
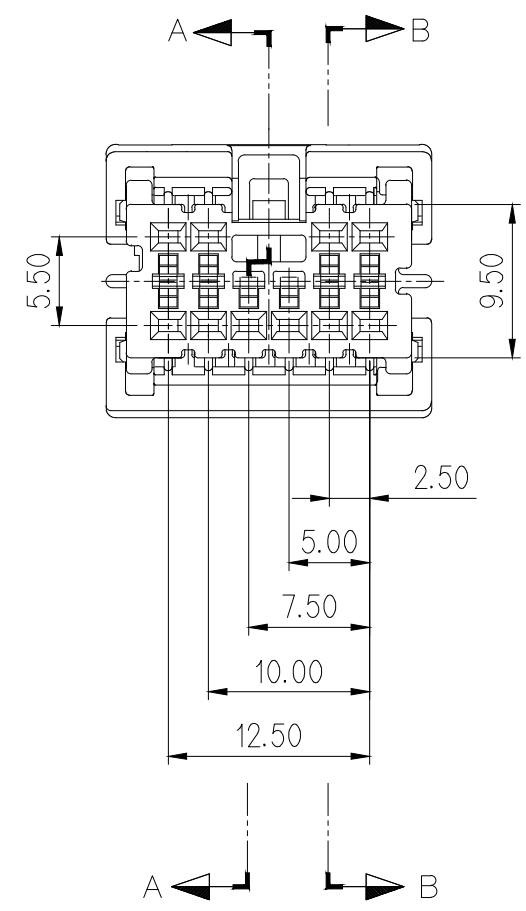
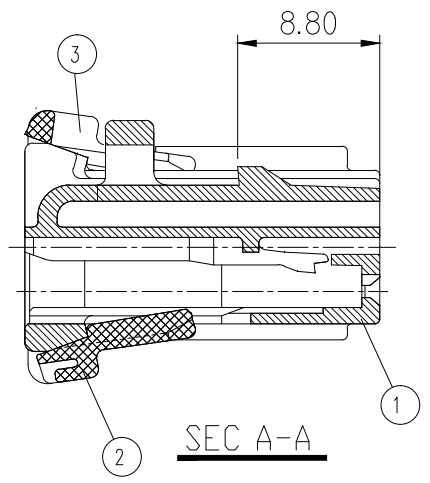
NO.	PART NAME	MATERIAL	FINISH
①	040III 10P FEMALE HS'G	PBT	NATURAL
②	040III 10P FEMALE R/HOLDER (A)	PBT	NATURAL
③	040III 10P FEMALE R/HOLDER (B)	PBT	NATURAL

주 기

- 기능상 유해한 FLASH, WELDLINE, 변형 등이 없을 것.
- 상대 HOUSING PART NO. : MG643328
- 적용 TERM' : ST730770
- 제품내 함유된 6대 유해물질 (납, 수은, 카드뮴, 6가 크롬, PBBs, PBDEs)은 EU ELV 지침 및 RoHS 법규에서 지정한 최대 허용 농도를 초과해서는 안된다.

NOTE

- MUST BE FREE OF FLASH WELDLINE AND IMPERFECTION THAT AFFECT FUNCTION.
- APPLICABLE HOUSING : MG643328
- APPLICABLE TERMINAL : ST730770
- 6 HAZARDOUS SUBSTANCES IN PARTS (LEAD, MERCURY, CADMIUM, HEXAVALENT CHROMIUM, PBDEs) SHALL NOT EXCEED THE MAXIMUM PERMISSIBLE CONCENTRATION PRESCRIBED UNDER EU ELV DIRECTIVE & RoHS REGULATION.



APPROVED
2018-12-11
KOREA ELECTRIC
TERMINAL CO., LTD.
Korea Electric Terminal Co., LTD.

ISSUE MARK

					MATERIAL	SEE TABLE	KET KOREA ELECTRIC ENGINEERED TERMINAL CO., LTD.	
					FINISH	SEE TABLE		
					WIRE RANGE	CLASS	040III	
					INSULATION	TYPE		
LTR	REVISION RECORD	DR.	CHK.	APP.	DATE	TOLERANCE EXCEPT AS NOTED	SCALE	PART NO.
	DR. SHIN. 2004.03.12.		CHK.			SEE TABLE	2/1	MG653329
			APP.	KKJ		PART NAME	040III 10P FEMALE ASS'Y	