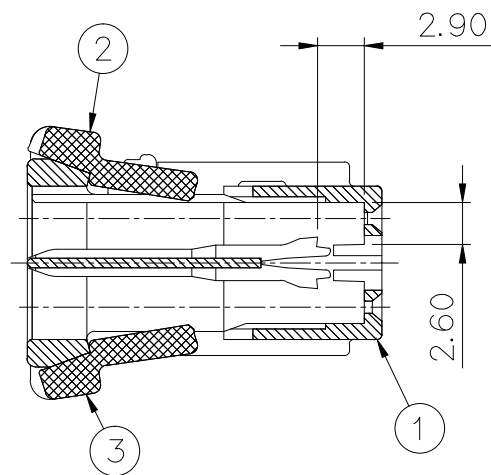
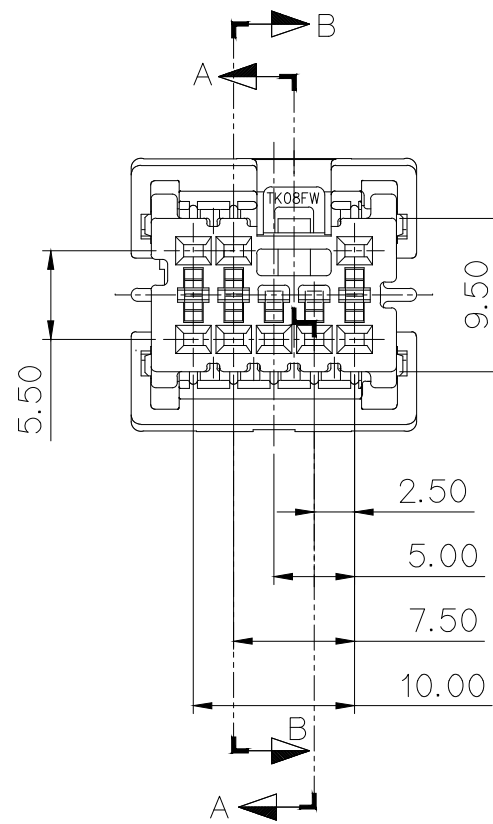
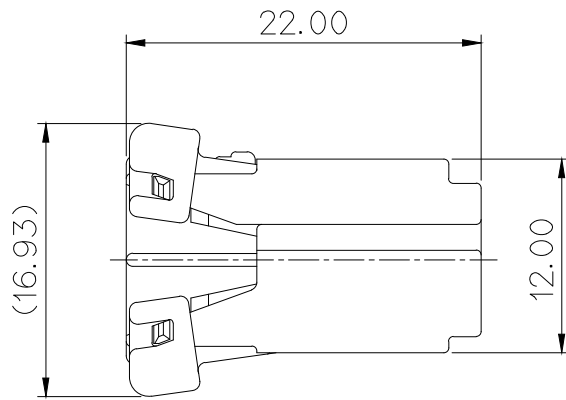
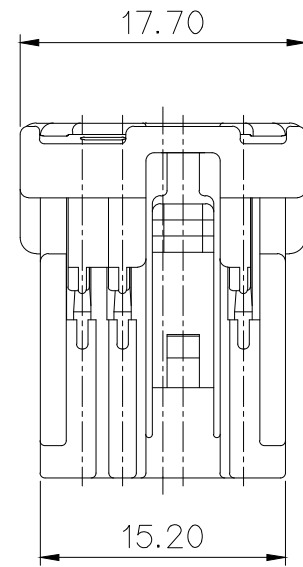
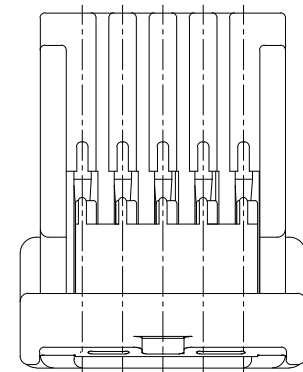


SECTION A-A



SECTION B-B



GENERAL TOLERANCE (HOUSING)							USED ON
10 MAX	50 MAX	100 MAX	250 MAX	250 VR	ANGLE	ECCENT	
±0.2	±0.3	±0.55	±0.95	±1.4	±30'	0.1	

NO.	MATERIAL	COLOR
* 0	P B T:	NATURAL
1		RED
△ * 2		BLUE
20		JADE
3		YELLOW
△ * 4		GRAY
40		DARK GRAY
△ * 41		LIGHT GRAY
5		BLACK
6		DARK GREEN
7		BROWN
8	LIGHT GREEN	
9	MAGENTA	
11	ORANGE	

주 기

- 기능상 유해한 BURR 및 미성형이 없을 것.
- 적용 MALE HOUSING PART NO. : MG643261
- 적용 FEMALE TERMINAL : ST730770-3
ST730960-3
ST731007-3
- 제품 내 함유된 6대 유해물질 (납, 수은, 카드뮴, 6가 크롬, PBBs, PBDEs)은 EU ELV 지침 및 RoHS 법규에서 지정한 최대 허용 농도를 초과해서는 안된다.

NOTE

- MUST BE FREE OF BURR, WELDLINE AND IMPERFECTION THAT AFFECT FUNCTION.
- APPLICABLE MALE HOUSING : MG643261
- APPLICABLE FEMALE TERMINAL : ST730770-3
ST730960-3
ST731007-3
- 6 HAZARDOUS SUBSTANCES IN PARTS (LEAD, MERCURY, CADMIUM, HEXAVALENT CHROMIUM, PBDEs) SHALL NOT EXCEED THE MAXIMUM PERMISSIBLE CONCENTRATION PRESCRIBED UNDER EU ELV DIRECTIVE.

NO.	PART NO.	PART NAME	MATERIAL	FINISH
①	MG673258	040III 8F HOUSING	SEE TABLE	SEE TABLE
②	MG673259	040III 8F REAR HOLDER (A)	PBT	NATURAL
③	MG673260	040III 8F REAR HOLDER (B)		



ISSUE MARK

						MATERIAL	SEE TABLE	KET KOREA ELECTRIC ENGINEERED TERMINAL CO., LTD.	
						FINISH	SEE TABLE		
△	ECO-2002-372 근거 도면 제작성	SKM	HYJ	CJH	'20.02.28	WIRE RANGE		CLASS	040
△	ECO-1910-334 근거 도면 제작성	SDI	CSH	CJH	'19.10.28	INSULATION		TYPE	7283-5985
LTR	REVISION RECORD	DR.	CHK.	APP.	DATE	TOLERANCE EXCEPT AS NOTED	SEE TABLE	SCALE	2/1
DR.	HSJ	'04.08.23	CHK.			PART NAME	040 III 8F ASSY (TKN08FW)		
CHK.	KKJ	'04.08.23	APP.	KCH	'04.08.23				