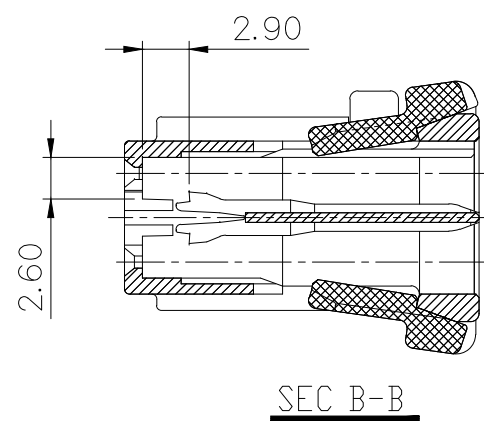
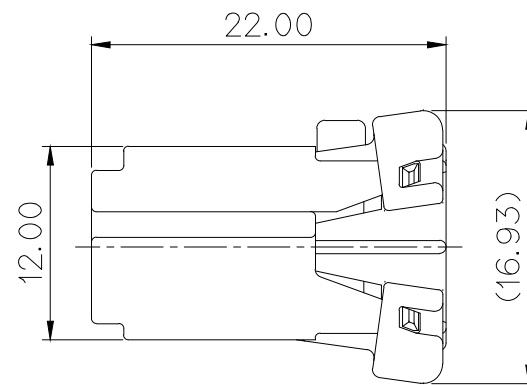
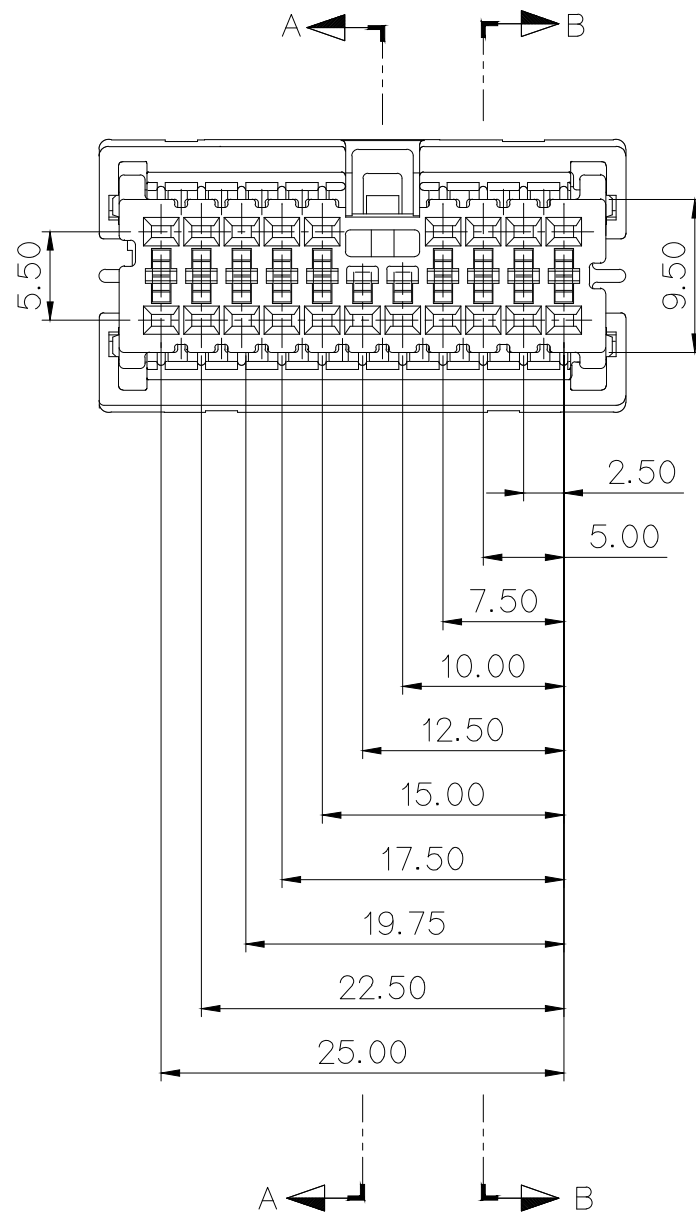
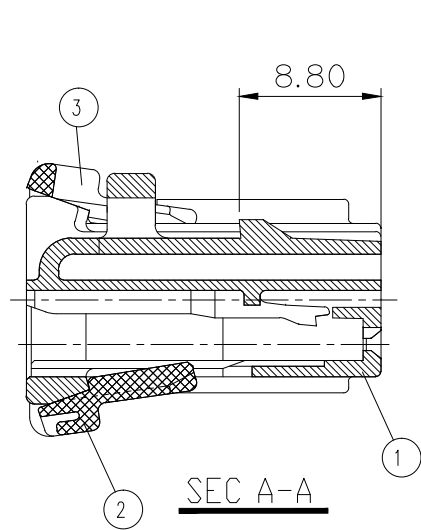
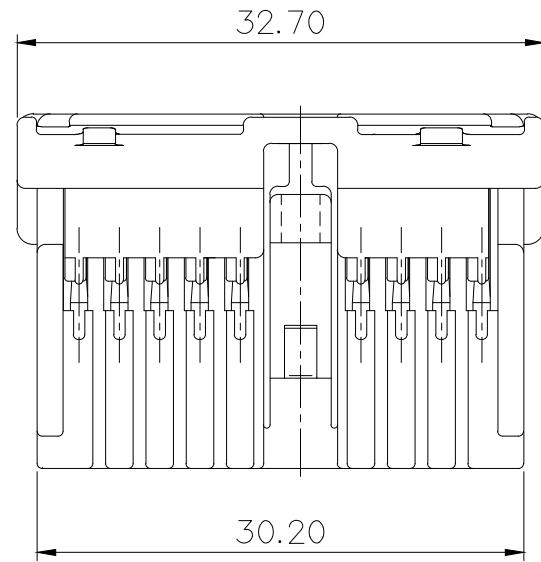


GENERAL TOLERANCE (HOUSING)							USED ON
10 MAX	50 MAX	100 MAX	250 MAX	250 VR	ANGLE	ECCENT	
±0.2	±0.3	±0.55	±0.95	±1.4	±30'	0.1	

NO.	PART NO.	PART NAME	MATERIAL	FINISH
①	MG673027-4	040III 20P FEMALE HS'G	PBT	GRAY
②	MG673028	040III 20P FEMALE R/HOLDER (A)	PBT	NATURAL
③	MG673029	040III 20P FEMALE R/HOLDER (B)	PBT	NATURAL



**주 기**

- 기능상 유해한 FLASH, WELDLINE, 변형 등이 없을것.
- 상대 HOUSING PART NO. : MG643023
- 적용 TERM' : ST730770 / ST740960
- 제품내 함유된 6대 유해물질 (납, 수은, 카드뮴, 6가 크롬, PBBs, PBDEs)은 EU ELV 지침 및 RoHS 법규에서 지정한 최대 허용 농도를 초과해서는 안된다.

**NOTE**

- MUST BE FREE OF FLASH, WELDLINE AND IMPERFECTION THAT AFFECT FUNCTION.
- APPLICABLE HOUSING : MG643023
- APPLICABLE TERMINAL : ST730770 / ST740960
- 6 HAZARDOUS SUBSTANCES IN PARTS (LEAD, MERCURY, CADMIUM, HEXAVALENT CHROMIUM, PBDEs) SHALL NOT EXCEED THE MAXIMUM PERMISSIBLE CONCENTRATION PRESCRIBED UNDER EU ELV DIRECTIVE & RoHS REGULATION.

**APPROVED**

**2018-12-07**

**KOREA ELECTRIC  
TERMINAL CO., LTD.  
Korea Electric Te  
rminal Co., LTD.**

ISSUE MARK

		MATERIAL		SEE TABLE	<b>KET</b> KOREA ELECTRIC ENGINEERED TERMINAL CO., LTD.
		FINISH		SEE TABLE	
		WIRE RANGE		CLASS	040III
		INSULATION		TYPE	
LTR	REVISION RECORD	DR.	CHK.	APP.	DATE
DR.	KYM 2004.01.30	CHK.			
CHK.	KKJ 01.30	APP.			01.30
		TOLERANCE EXCEPT AS NOTED		SEE TABLE	SCALE 2/1
		PART NAME		040III 20P FEMALE ASS'Y	
				PART NO. MG653026	