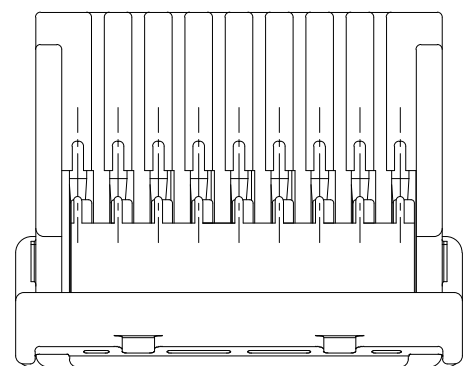
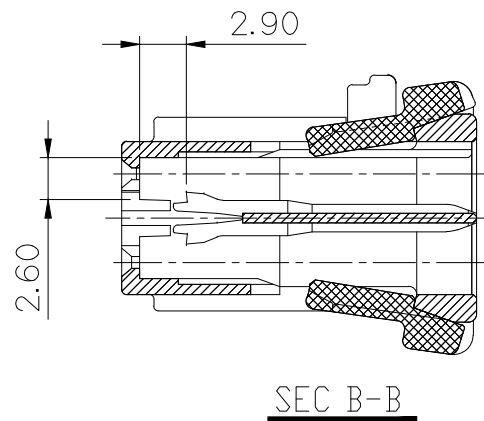
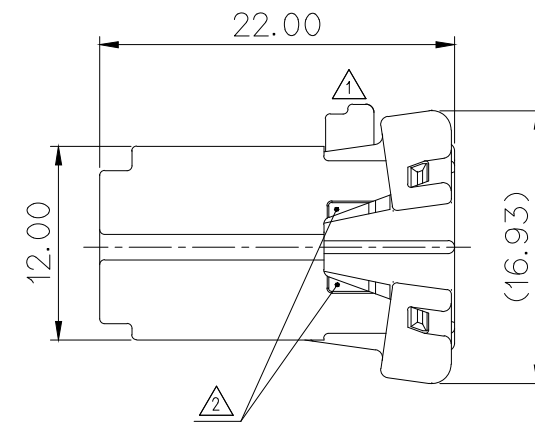
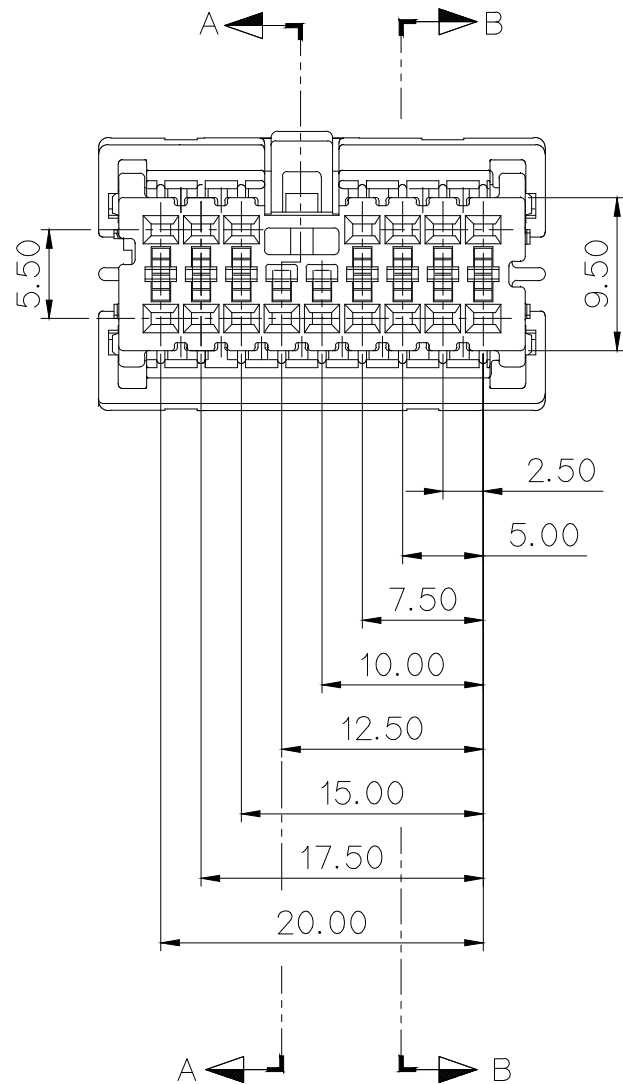
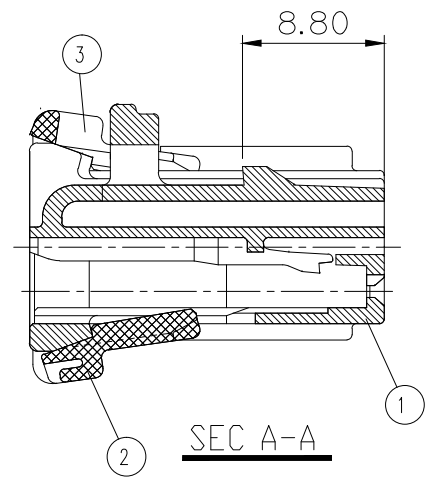
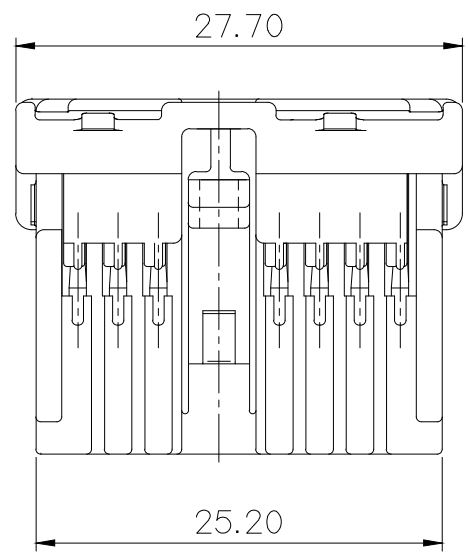


NO.	MATERIAL	COLOR
* 0	P B T	NATURAL
1		RED
2		BLUE
3		YELLOW
* 40		DARK GRAY
41		LIGHT GRAY
5		BLACK
6		DARK GREEN
* 7		BROWN
8		LIGHT GREEN
9		MAGENTA
11	ORANGE	



GENERAL TOLERANCE (HOUSING)							USED ON
10 MAX	50 MAX	100 MAX	250 MAX	250 VR	ANGLE	ECCENT	
±0.2	±0.3	±0.55	±0.95	±1.4	±30'	0.1	

NO.	PART NO.	PART NAME	MATERIAL	FINISH
①	MG673020	040III 16P FEMALE HS'G	SEE TABLE	SEE TABLE
②	MG673021	040III 16P FEMALE R/HOLDER (A)	PBT	NATURAL
③	MG673022	040III 16P FEMALE R/HOLDER (B)	PBT	NATURAL

주 기

- 기능상 유해한 BURR 및 미성형이 없을것.
- 상대 HOUSING PART NO. : MG643016
- 적용 TERM' : ST730770 / ST730960
- 제품내 함유된 6대 유해물질 (납, 수은, 카드뮴, 6가크롬, PBBs, PBDEs)은 EU ELV 지침 및 RoHS 법규에서 지정한 최대 허용 농도를 초과해서는 안된다.

NOTE

- MUST BE FREE OF BURR, WELDLINE AND IMPERFECTION THAT AFFECT FUNCTION.
- APPLICABLE HOUSING : MG643016
- APPLICABLE TERMINAL : ST730770 / ST730960
- 6 HAZARDOUS SUBSTANCES IN PARTS (LEAD, MERCURY, CADMIUM, HEXAVALENT CHROMIUM, PBBs, PBDEs) SHALL NOT EXCEED THE MAXIMUM PERMISSIBLE CONCENTRATION PRESCRIBED UNDER EU ELV DIRECTIVE & RoHS REGULATION.

APPROVED
 2018-12-07
 KOREA ELECTRIC
 TERMINAL CO., LTD.
 Korea Electric Te
 rminol Co., LTD.

ISSUE MARK

						MATERIAL	SEE TABLE	KET KOREA ELECTRIC ENGINEERED TERMINAL CO., LTD.
						FINISH	SEE TABLE	
②	ECO-1805-398 근거 도면 재작성	HYJ	CJH	'18.05.30		WIRE RANGE	CLASS	040III
①	ECO-1603-402 근거 도면 재작성	LJY	CSH	LSY	'16.03.25	INSULATION	TYPE	
LTR	REVISION RECORD	DR.	CHK.	APP.	DATE	TOLERANCE EXCEPT AS NOTED	SCALE	PART NO.
DR.	KYM 2004.01.30	CHK.				SEE TABLE	2/1	MG653019
CHK.	KKJ 01.30	APP.	KCH	01.30		PART NAME	040III 16P FEMALE ASS'Y	