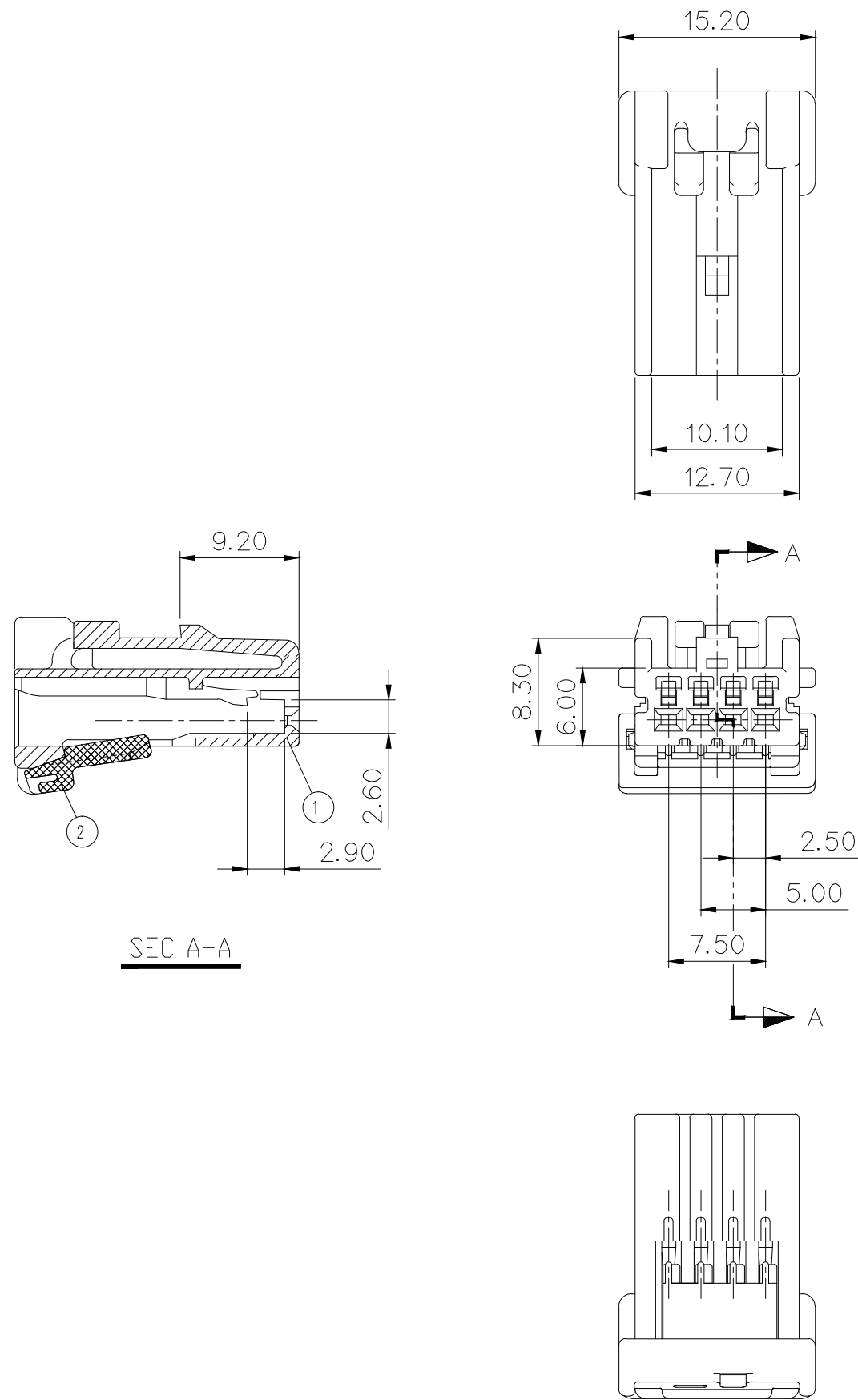


GENERAL TOLERANCE (HOUSING)							USED ON
10 MAX	50 MAX	100 MAX	250 MAX	250 VR	ANGLE	ECCENT	
±0.2	±0.3	±0.55	±0.95	±1.4	±30'	0.1	



주 기

- 기능상 유해한 FLASH, WELDLINE, 변형 등이 없을 것.
- 상대 HOUSING : MG642996
- 적용 TERM' : ST730770 / ST730960
- 제품내 함유된 6대 유해물질 (납, 수은, 카드뮴, 6가 크롬, PBBs, PBDEs)은 EU ELV 지침 및 RoHS 법규에서 지정한 최대 허용 농도를 초과해서는 안된다.

NOTE

- MUST BE FREE OF FLASH, WELDLINE AND IMPERFECTION THAT AFFECT FUNCTION.
- APPLICABLE HOUSING : MG642996
- APPLICABLE TERMINAL : ST730770 / ST730960
- 6 HAZARDOUS SUBSTANCES IN PARTS (LEAD, MERCURY, CADMIUM, HEXAVALENT CHROMIUM, PBDEs) SHALL NOT EXCEED THE MAXIMUM PERMISSIBLE CONCENTRATION PRESCRIBED UNDER EU ELV DIRECTIVE & RoHS REGULATION.

NO.	MATERIAL	COLOR
* 0	P B T	NATURAL
1		RED
2		BLUE
* 3		YELLOW
40		DARK GRAY
41		LIGHT GRAY
* 5		BLACK
6		DARK GREEN
7		BROWN
8		LIGHT GREEN
9		MAGENTA
11	ORANGE	



NO.	PART NO.	PART NAME	MATERIAL	FINISH
①	MG673000	040III 4P FEMALE HS'G	PBT	NATURAL, △YELLOW, △BLACK
②	MG673007	040III 4P FEMALE R/HOLDER (A)	PBT	NATURAL

MATERIAL	SEE TABLE	KET KOREA ELECTRIC ENGINEERED TERMINAL CO., LTD.
FINISH	SEE TABLE	
WIRE RANGE		CLASS 040III
INSULATION		TYPE
LTR	REVISION RECORD	DR. KYM 2004.01.30
CHK.	CHK. KKJ 01.30	APP. [Signature] 01.30
TOLERANCE EXCEPT AS NOTED	SEE TABLE	SCALE 2/1
PART NAME	040III 4P FEMALE ASS'Y	

ISSUE MARK

PART NO.	MG652999
----------	----------