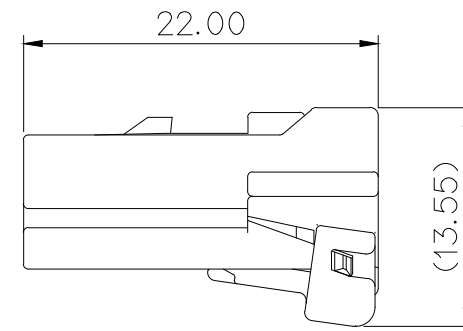


GENERAL TOLERANCE (HOUSING)							USED ON
10 MAX	50 MAX	100 MAX	250 MAX	250 VR	ANGLE	ECCENT	
±0.2	±0.3	±0.55	±0.95	±1.4	±30'	0.1	

**주 기**

- 기능상 유해한 FLASH, 변형 등이 없을 것.
- 상대 HOUSING PART NO. : MG642990
- 적용 TERM' : ST730770-3, ST730960-3
- 제품내 함유된 6대 유해물질 (납, 수은, 카드뮴, 6가 크롬, PBBs, PBDEs)은 EU ELV 지침 및 RoHS 법규에서 지정한 최대 허용 농도를 초과해서는 안된다.



NO.	MATERIAL	COLOR
* 0	P B T	NATURAL
1		RED
2		BLUE
20		JADE
3		YELLOW
△* 4		GRAY
40		DARK GRAY
41		LIGHT GRAY
5		BLACK
6		DARK GREEN
7		BROWN
8	LIGHT GREEN	
9	MAGENTA	
11	ORANGE	

**NOTE**

- MUST BE FREE OF FLASH, WELDLINE AND IMPERFECTION THAT AFFECT FUNCTION.
- APPLICABLE HOUSING : MG642990
- APPLICABLE TERMINAL : ST730770-3, ST730960-3
- 6 HAZARDOUS SUBSTANCES IN PARTS (LEAD, MERCURY, CADMIUM, HEXAVALENT CHROMIUM, PBDEs) SHALL NOT EXCEED THE MAXIMUM PERMISSIBLE CONCENTRATION PRESCRIBED UNDER EU ELV DIRECTIVE & RoHS REGULATION.



ISSUE MARK

NO.	PART NO.	PART NAME	MATERIAL	SEE TABLE
①	MG672994	040III 3P FEMALE HS'G	△SEE TABLE	△SEE TABLE
②	MG672995	040III 3P FEMALE R/HOLDER	PBT	NATURAL

MATERIAL	SEE TABLE	<b>KET</b> KOREA ELECTRIC ENGINEERED TERMINAL CO., LTD.
FINISH	SEE TABLE	
WIRE RANGE		CLASS 040III
INSULATION		TYPE
LTR	REVISION RECORD	PART NO. MG652993
DR. KYM 2004.01.30	CHK.	SCALE 2/1
CHK. KKJ 01.30	APP. KCH 01.30	PART NAME 040III 3P FEMALE ASS'Y