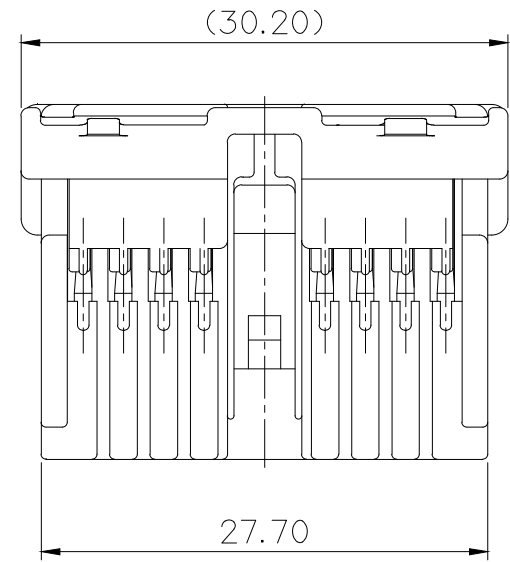


GENERAL TOLERANCE (HOUSING)							USED ON
10 MAX	50 MAX	100 MAX	250 MAX	250 VR	ANGLE	ECCENT	
±0.2	±0.3	±0.55	±0.95	±1.4	±30'	0.1	



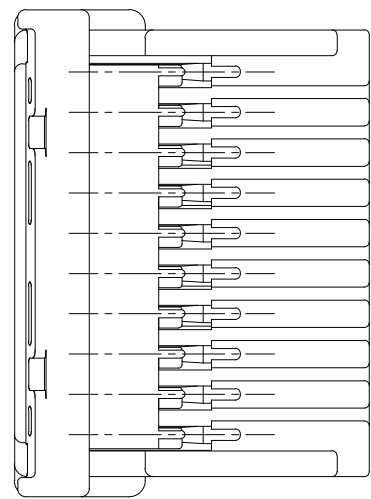
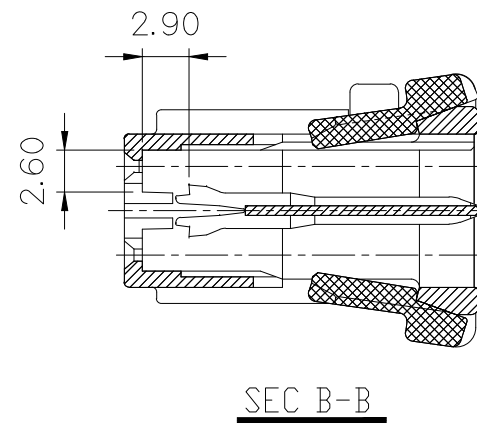
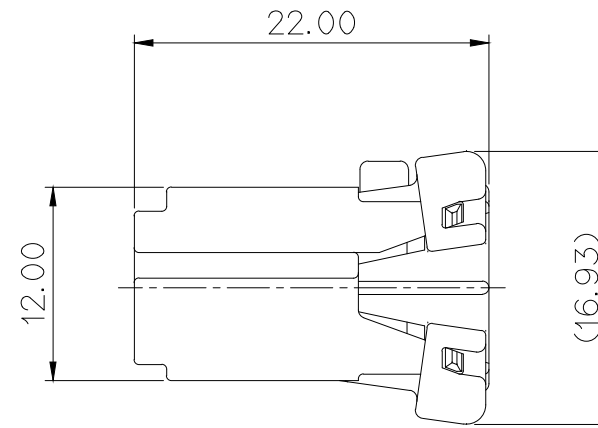
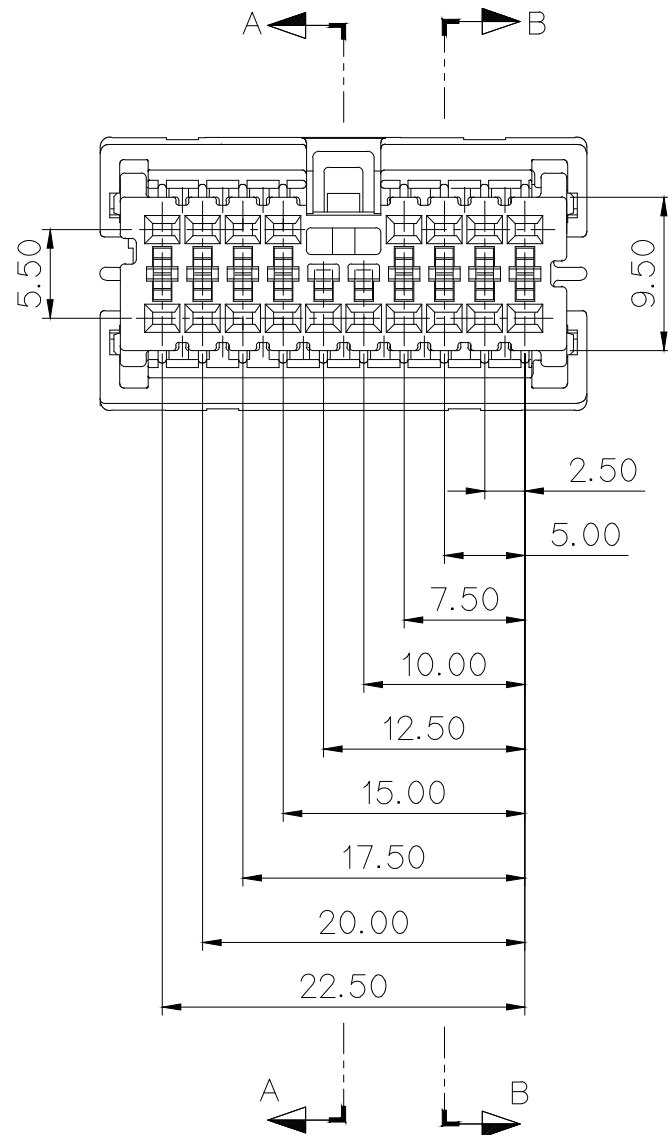
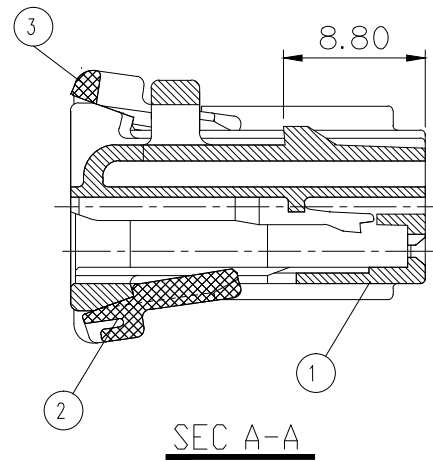
NO.	PART NO.	PART NAME	MATERIAL	FINISH
①	MG672942	040III 18P FEMALE HS'G	PBT	NATURAL
②	MG672943	040III 18P FEMALE R/HOLDER (A)	PBT	NATURAL
③	MG672944	040III 18P FEMALE R/HOLDER (B)	PBT	NATURAL

주 기

- 기능상 유해한 FLASH, WELDLINE, 변형 등이 없을 것.
- 상대 HOUSING PART NO. : MG642941
- 적용 TERM' : ST730770 / ST730960
- 제품내 함유된 6대 유해물질 (납, 수은, 카드뮴, 6가 크롬, PBBs, PBDEs)은 EU ELV 지침 및 RoHS 법규에서 지정한 최대 허용 농도를 초과해서는 안된다.

NOTE

- MUST BE FREE OF FLASH, WELDLINE AND IMPERFECTION THAT AFFECT FUNCTION.
- APPLICABLE HOUSING : MG642941
- APPLICABLE TERMINAL : ST730770 / ST730960
- 6 HAZARDOUS SUBSTANCES IN PARTS (LEAD, MERCURY, CADMIUM, HEXAVALENT CHROMIUM, PBDEs) SHALL NOT EXCEED THE MAXIMUM PERMISSIBLE CONCENTRATION PRESCRIBED UNDER EU ELV DIRECTIVE & RoHS REGULATION.



**APPROVED**

**2018-12-11**

**KOREA ELECTRIC  
TERMINAL CO., LTD.  
Korea Electric Te  
rminal Co., LTD.**

ISSUE MARK

						MATERIAL	SEE TABLE	<b>KET</b> KOREA ELECTRIC ENGINEERED TERMINAL CO., LTD.
						FINISH	SEE TABLE	
						WIRE RANGE	CLASS	040III
						INSULATION	TYPE	
LTR	REVISION RECORD	DR.	CHK.	APP.	DATE	TOLERANCE EXCEPT AS NOTED	SCALE	PART NO.
						SEE TABLE	2/1	MG652945
DR.	KYM 2004.01.30	CHK.				PART NAME	040III 18P FEMALE ASS'Y	
CHK.	KKJ 01.30	APP.			01.30			